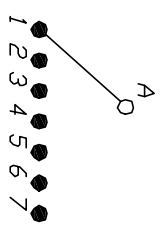
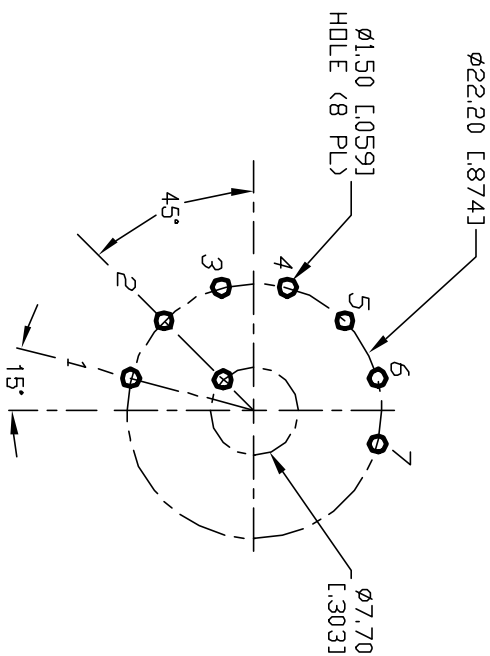


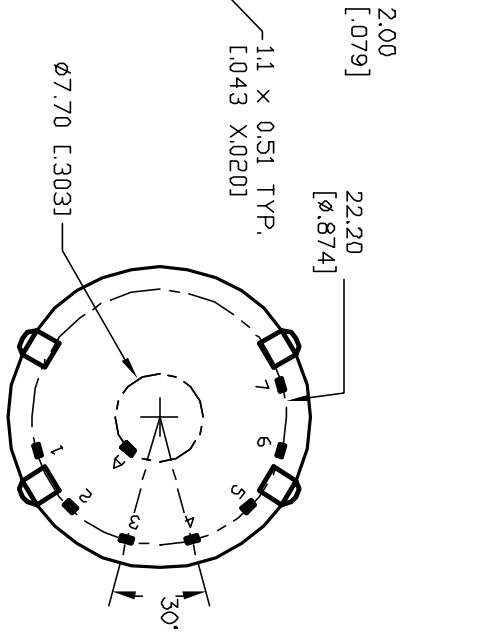
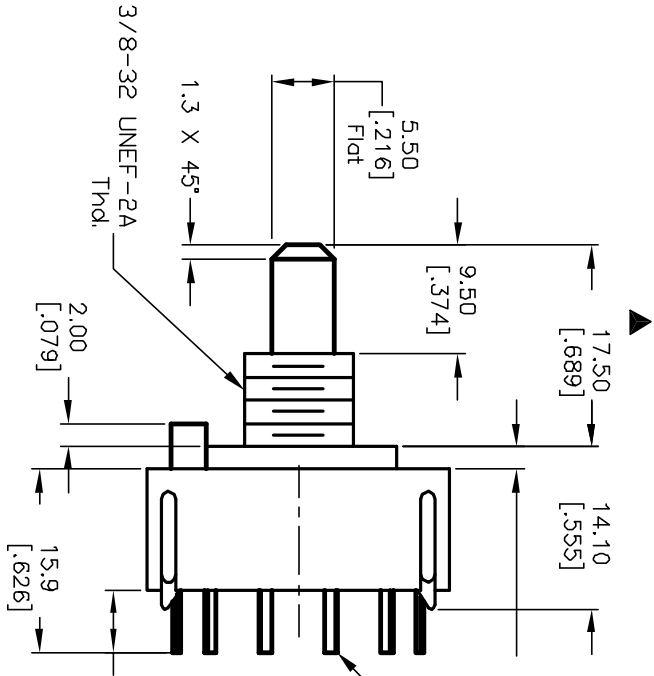
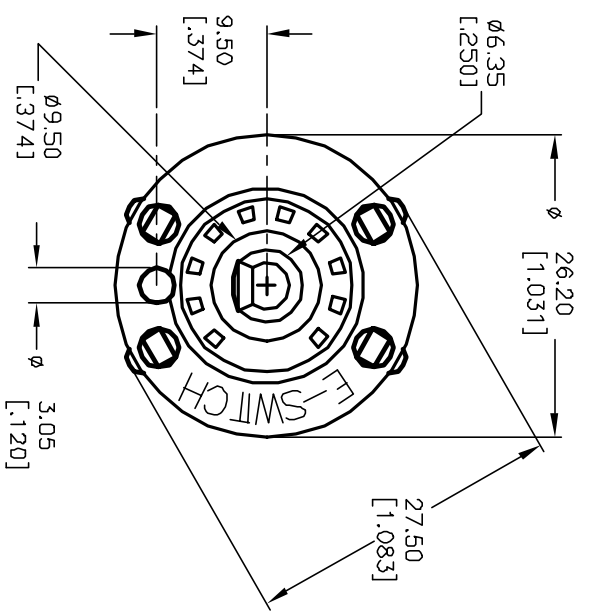
- NOTES:
1. ALL DIMENSION IN MM [INCH]
 2. GENERAL TOLERANCE: X.X=±0.4
X.XXX=±0.25
 3. TERM. NOS. FOR REF. ONLY
 4. CONTACT RATING SWITCHING: 150mA, 250V AC/DC
350mA, 110V AC/DC
 5. CONTACT MATERIAL: SILVER OVER COPPER ALLOY
 6. OPERATING FORCE: 425±100 CM/STANDARD
 7. OPERATING TEMP: -30° to 85°C
 8. CIRCUIT SP: 7 POSITIONS, 30° INDEX.
 9. DIELECTRIC STRENGTH: 1000V RMS min.@SEA LEVEL.
 10. DESIGNATE MAJOR DIMENSIONS
 11. SUPPLIED STOP RING, LOCK NUT AND WASHER (NOT SHOWN).



CONTACT CONFIGURATION
Timing: Non-Shorting (BBM)



RECOMMENDED P.C.B. LAYOUT



B		12422	REV. PER NEW CATALOG	10/28/02	CJB	TITLE	SCALE	DATE	DR	DWG	REV
A		11275	RELEASED FOR PRODUCTION	3/6/01	RJC	KC-17-A (9.5mm)-01-N-P-S	1.5:1	3/5/01	RJC	G100001	B
REV.		ECN No.	DESCRIPTION	DATE	CHKD						

THE INFORMATION CONTAINED IN THIS DOCUMENT IS PROPRIETARY TO E-SWITCH AND IS NOT TO BE COPIED OR TRANSFERRED

E-SWITCH®