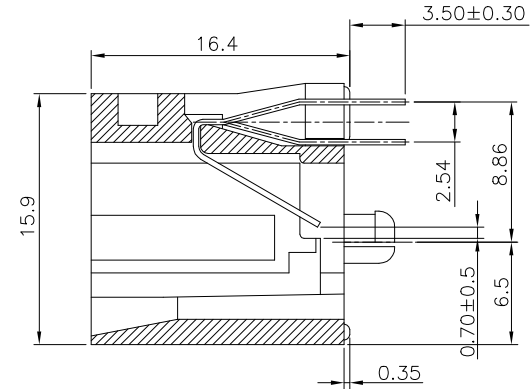
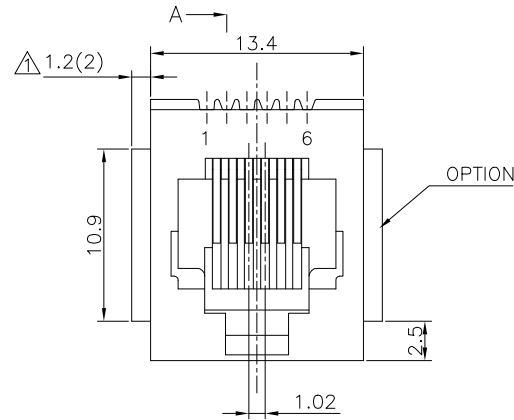


REVISION RECORD				
REV	ECO	DESCRIPTION	DRFT	CHKD
△		MODIFY DESIGN	CHN 01/21/03	



NOTES:

ELECTRICAL:

- VOLTAGE RATING : 125 VAC RMS.
- CURRENT RATING : 1.5 AMP.
- CONTACT RESISTANCE : 30 MILLIOHMS MAX.
- INSULATION RESISTANCE: 1000 MEGOHMS MIN @ 500 VDC.
- DIELECTRIC STRENGTH : 1000 VAC RMS 60Hz, 1MIN.

MECHANICAL:

- HOUSING MATERIAL : GLASS FILLED POLYESTER UL94V-0.
- CONTACT MATERIAL : PHOSPHOR BRONZE t=0.35mm.
- PLATING : GOLD PLATING OVER NICKEL.
- OPERATING LIFE : 750 CYCLES MIN.
- PCB RETENTION PRE-SOLDER : 1 LB MIN.
- PCB RETENTION POST-SOLDER: 10 LBS MIN.

ENVIRONMENTAL:

- STORAGE : -40°C TO +85°C.
- OPERATION: 0°C TO 70°C.

MATES WITH MODULAR PLUG CONFORMING TO

FCC PART 68, SUBPART F.

CUL FILE NO. E163191

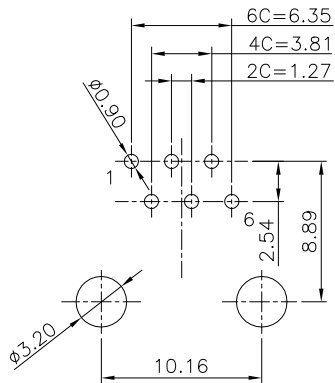
PART NUMBER: E526X-YOLXXX

- NO. OF CONTACT:
- 1- 3u" 2- 6u"
 - 2- 2C 3- 15u" 4- 30u"
 - 4- 4C 5- 50u"
 - 6- 6C

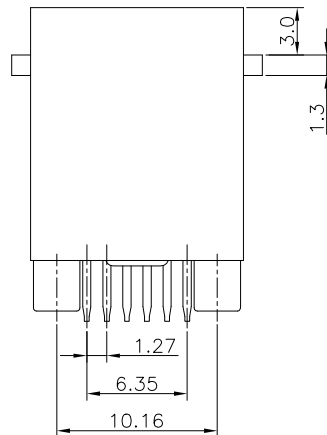
COLOR OF HOUSING:

- 0- BLACK
- 4- GRAY
- 6- WHITE

- 3- W/ PANEL STOP
- 4- W/O PANEL STOP



PC Board Layout Component Side Shown
THICKNESS=1.6mm



DETACHED LISTS	MM (INCH)		DFTO Ming-Wei DATE 08/26/2002
	TOLERANCES EXCEPT AS NOTED		CHKD RIK DATE 01/21/03
	MM	±	MFO RAY DATE 01/21/03
	.0 ± 0.2	±	APPLYUAN DATE 01/21/03
.00 ± 0.15	±	MATERIAL :	
.000 ± 0.075	±	QT'Y :	
ANGLES ± 0.5		FINISH :	
THIRD ANGLE PROJECTION		SCALE : 3 : 1	

FULL RISE ELECTRONIC CO., LTD

TITLE

TOP ENTRY JACK (6P)

DRAWING NO. GE523A48
/PART NO. SEE NOTE

SIZE A3
REV 1

DO NOT SCALE DRAWING

SHEET 1 OF 1