

Form No.  
907763  
Revision B  
09/99

# Deutz BF 4M1011F Engines

(Before SN 0262361)

Used In:

## SL5635 & SL6635 Skid Loaders



## Engine Parts Book

**GEHL**<sup>®</sup>

## Introduction

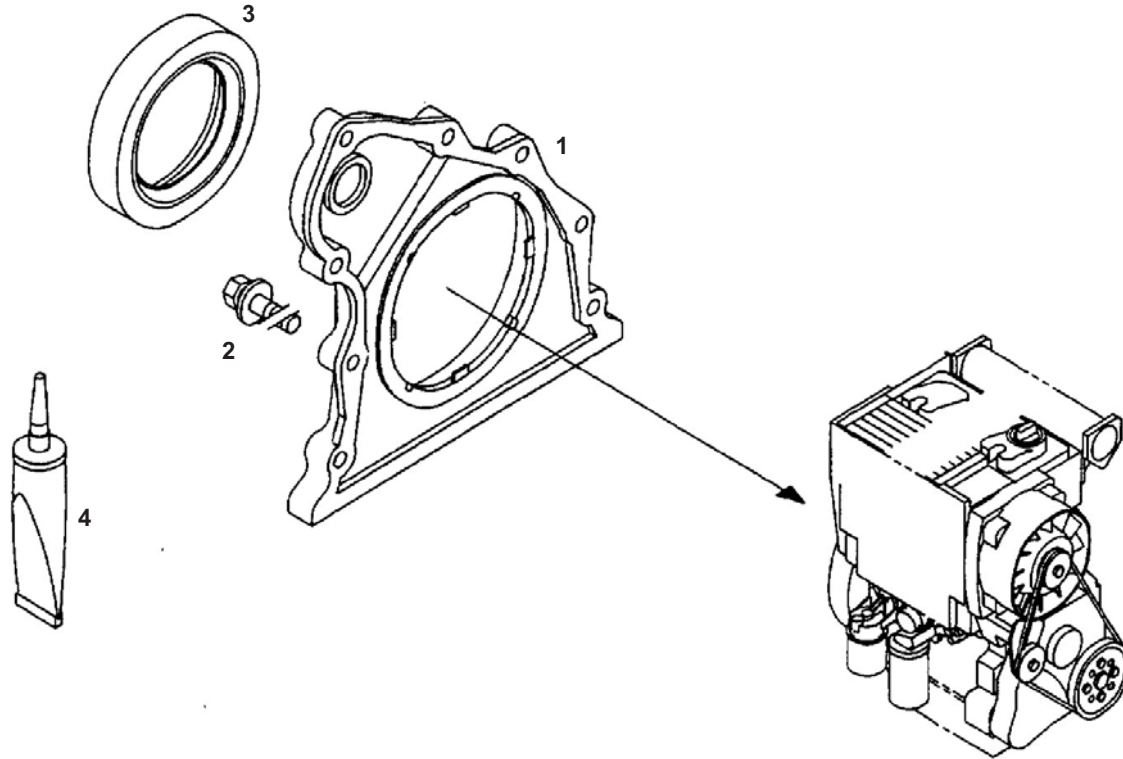
This manual covers BF 4M 1011F engines (Gehl part number 130320) used in SL5635SXT, SL5635DXT, SL6635SXT and SL6635DXT skid loaders. When ordering service parts, specify the correct part number, full description, quantity required, and the engine model number and serial number (located on a plate on the valve mechanical cover). **NOTE:** This manual only covers engines **before** engine serial number 0262361.

Items shown that do not have a part number are shown for reference purposes only and are not available for purchase. Part numbers may change. Your Gehl dealer will have the latest part number.

Gehl® Company reserves the right to make changes or improvements in the design or construction of any part of the unit without incurring the obligation to install such changes on any previously delivered units.

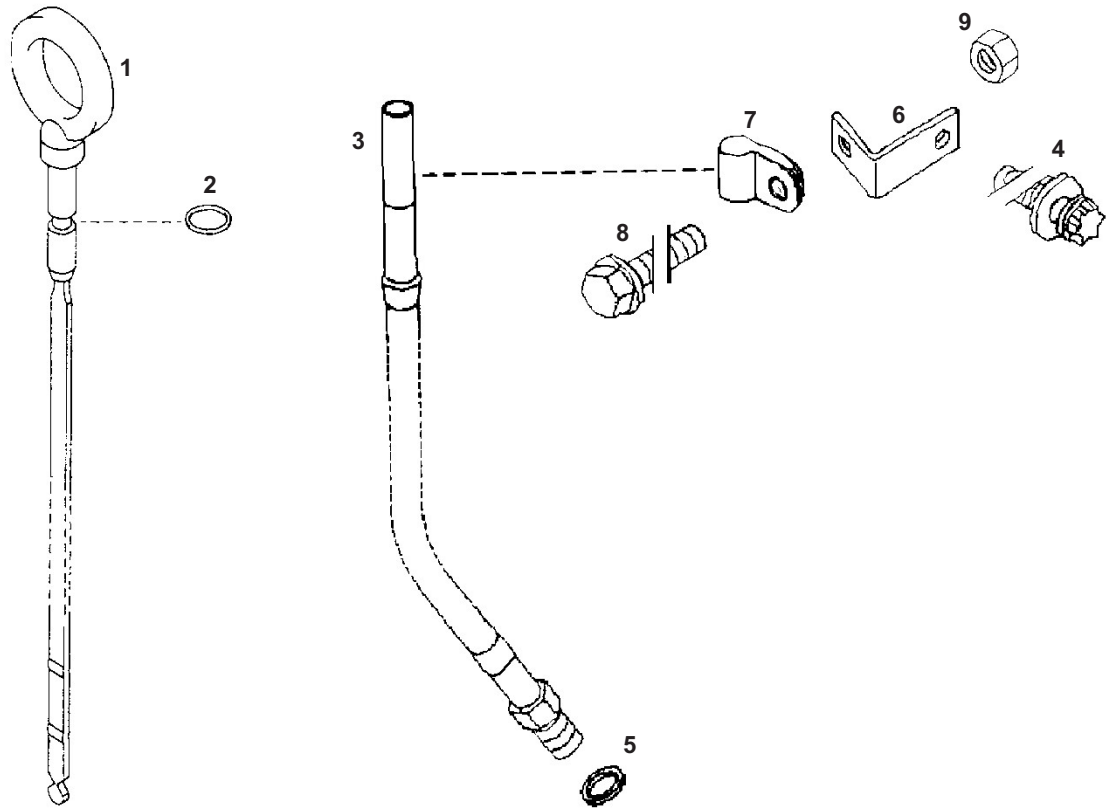
# Table of Contents

Adapter Housing . . . . .	50	Glow Plug . . . . .	42
Alternator . . . . .	52	Heater Connection . . . . .	29
Alternator Bracket . . . . .	53	High Pressure Pipe . . . . .	39
Alternator Fastenings . . . . .	54	Index . . . . .	61
Camshaft . . . . .	19	Intake Manifold . . . . .	40
Camshaft Drive . . . . .	18	Narrow V-Belt . . . . .	48
Connecting Rod . . . . .	12	Lubrication Oil Filter . . . . .	24
Control Rod . . . . .	47	Lubrication Oil Line . . . . .	27
Control Unit . . . . .	55	Lubrication Oil Pump . . . . .	23
Cover Plate . . . . .	10	Oil Filter Fastenings . . . . .	25
Crankcase Breather . . . . .	3	Oil Pan . . . . .	6
Crankshaft . . . . .	8	Oil Pressure Switch . . . . .	56
Crankshaft Accessories . . . . .	7	Oil Return Line . . . . .	28
Cylinder Head . . . . .	16	Oil Suction Line . . . . .	26
Cylinder Head Fastenings . . . . .	15	Overflow Line . . . . .	37
Dipstick . . . . .	2	Piston . . . . .	13
Engine Block . . . . .	5	Power Take-Off . . . . .	9
Exhaust Manifold . . . . .	58	Protection Hood . . . . .	20
Fan Support . . . . .	49	Radiator Connections . . . . .	30
Filler Cap . . . . .	14	Rear End Cover . . . . .	1
Filter Cartridge . . . . .	32	Rocker Arm Bracket . . . . .	21
Flywheel . . . . .	11	Screw Plug . . . . .	31
Front Block Plugs . . . . .	44	Shutdown Device . . . . .	59
Front Cover/governor . . . . .	45	Starter . . . . .	51
Fuel Injection Pump . . . . .	33	Temperature Transmitter . . . . .	57
Fuel Injector . . . . .	35	Torque Capsule . . . . .	43
Fuel Line . . . . .	38	Turbocharger . . . . .	41
Fuel Supply Pump . . . . .	34	Valve Drive . . . . .	22
Gasket Set . . . . .	60	Valve Mechanical Cover . . . . .	17



5051009

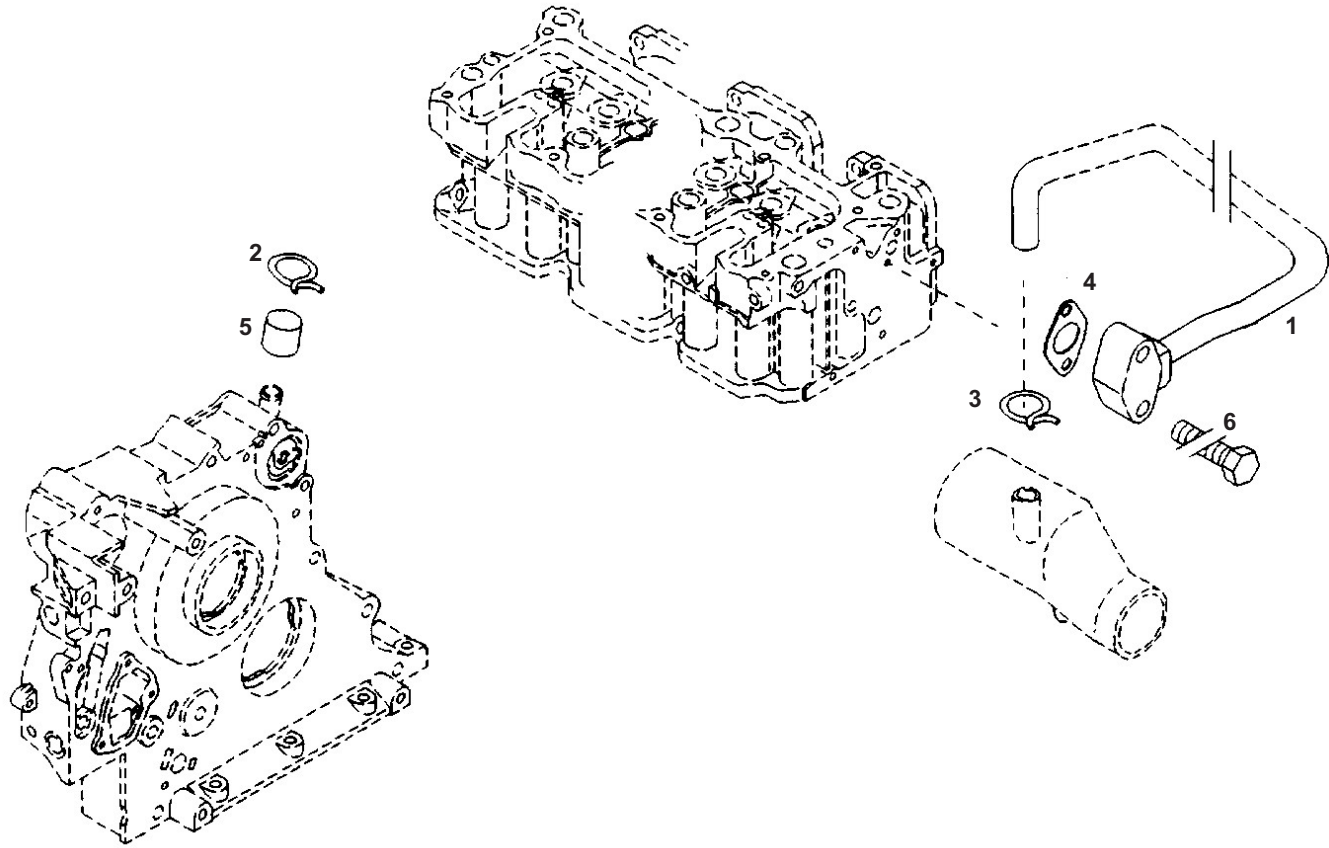
Ref No.	Part No.	Description	Quantity
1	133390	COVER/REAR END	1
2	133204	BOLT/HEX 8 X 30MM CLASS 8.8	8
3	133387	SEAL/ROTATION SHAFT LIP	1
4	133100	COMPOUND/PACKING 250 ML	1



5067762  
5067789

Ref No.	Part No.	Description	Quantity
1	133257	DIPSTICK (INCLUDES ITEM 2)	1
2	133186	O-SEAL 5 1.5MM	1
3	133500	TUBE/GUIDE	1
4	133234	BOLT/TORX HEAD 8 X 20MM CLASS 8.8	1
5	133134	RING/SEALING 14 X 20MM	1
6	133494	BRACKET	1
7	133501	CLAMP/PIPE	1
8	133253	BOLT/HEX 6 X 16MM CLASS 10.9	1
9	133125	NUT/HEX 6-8MM	1

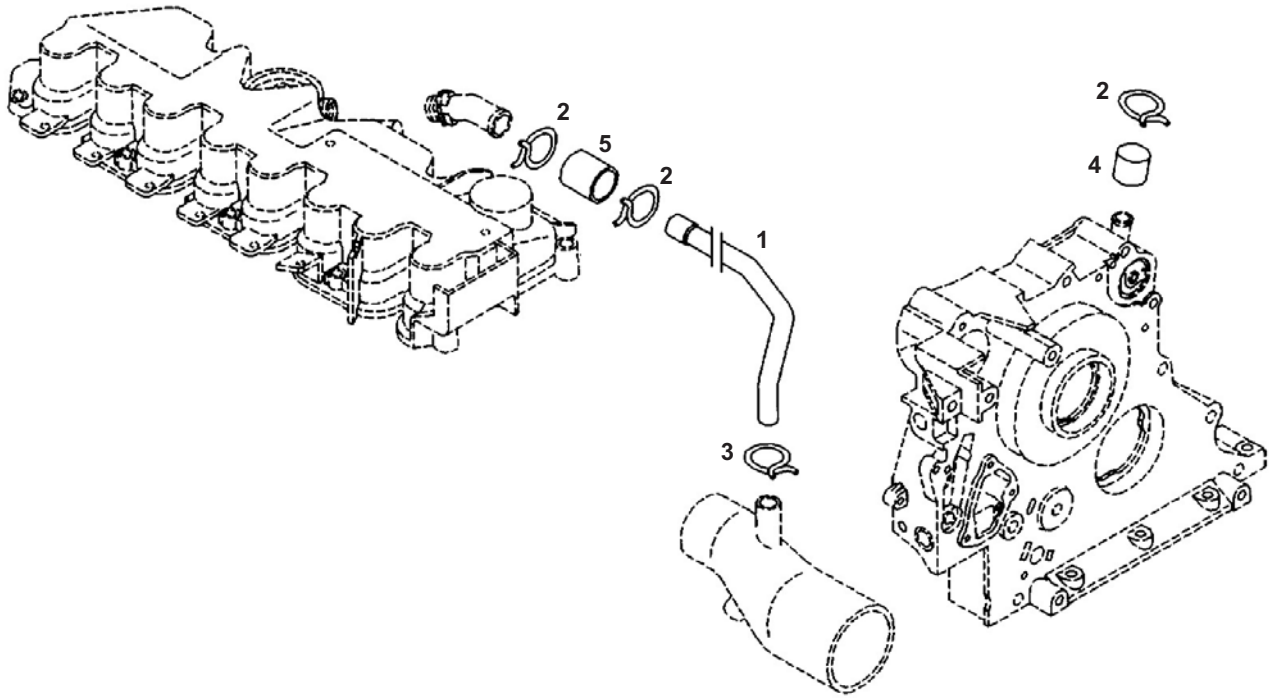
Engine Serial Number 0214548 & later



5069156

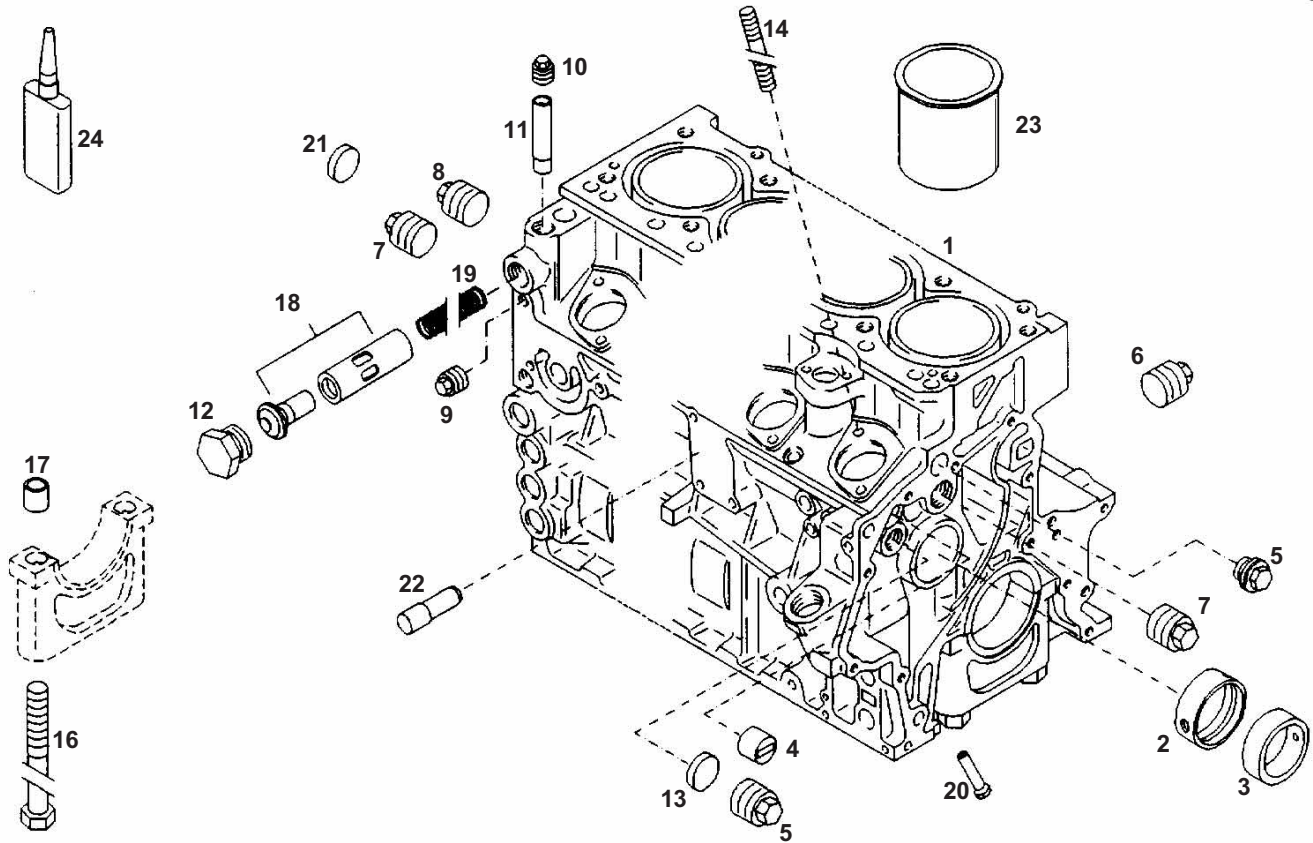
Ref No.	Part No.	Description	Quantity
1	133552	PIPE/BREATHER	1
2	133202	CLIP/HOSE	1
3	133212	CLIP/HOSE	1
4	133553	GASKET	1
5	133482	CAP	1
6	133554	BOLT/HEX 6 X 30MM	2

Before Engine Serial Number 0214548



5069114

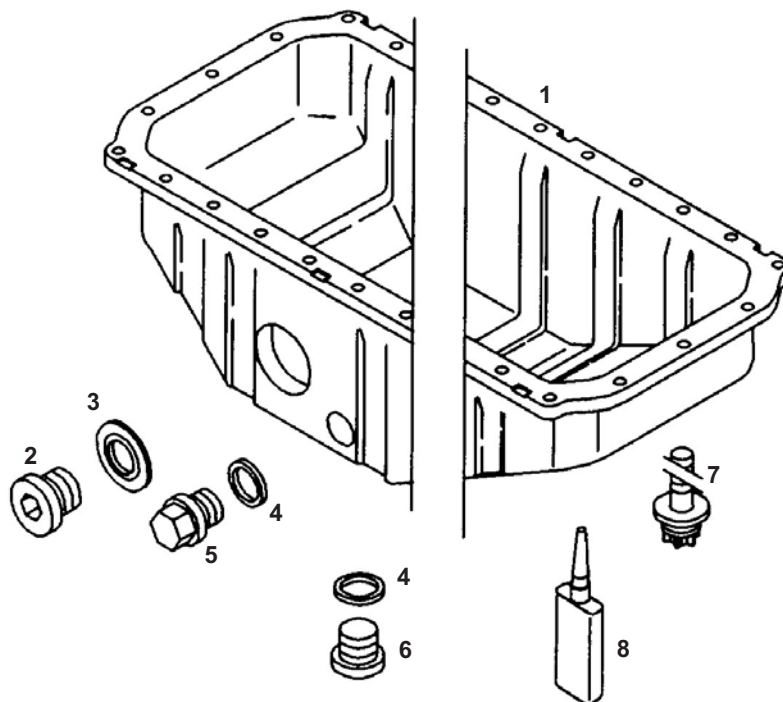
Ref No.	Part No.	Description	Quantity
1	133511	PIPE/BREATHER	1
2	133202	CLIP/HOSE	3
3	133212	CLIP/HOSE	1
4	133482	CAP	1
5	133258	SLEEVE/RUBBER	1



5067707

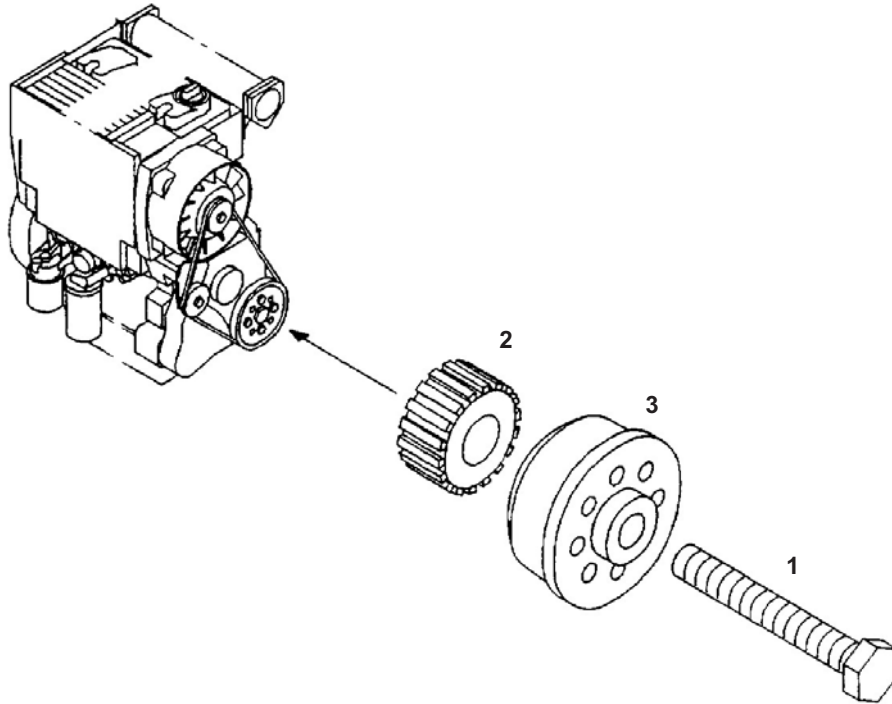
Ref No.	Part No.	Description	Quantity
1	133437	BLOCK/ENGINE (INCLUDES ITEMS 2-19)	1
2	133405	BUSHING/WRAPPED BEARING	2
3	133404	BUSHING/WRAPPED BEARING	3
4	133316	SLEEVE/GUIDE	2
5	133430	PLUG/SCREW	1
6	133536	PLUG/SCREW 12 X 1.5MM	1
7	133537	PLUG/SCREW	2
8	133538	PLUG/SCREW 14 X 1.5MM	1
9	133539	PLUG/SCREW 10 X 1MM	1
10	133540	PLUG/SCREW 20 X 1.5MM	1
11	133408	TUBE	1
12	133541	PLUG/SCREW	1
13	133166	COVER	1
14	133240	STUD 8 X 20MM CLASS 8.8	8
15	133542	PLUG/SCREW 18 X 1.5MM	2
16	133323	BOLT/HEX	10
17	133350	BUSHING	10
18	133473	THERMOSTAT (INCLUDES ITEM 19)	1
19	133411	SPRING/COMPRESSION	1
20	133417	NOZZLE/PISTON COOLING	8
21	133249	COVER	1
22	133476	PIN	1
23	133543	LINER/CYLINDER	AR
24	133107	AGENT/SAFETY LOCK 50ML	AR





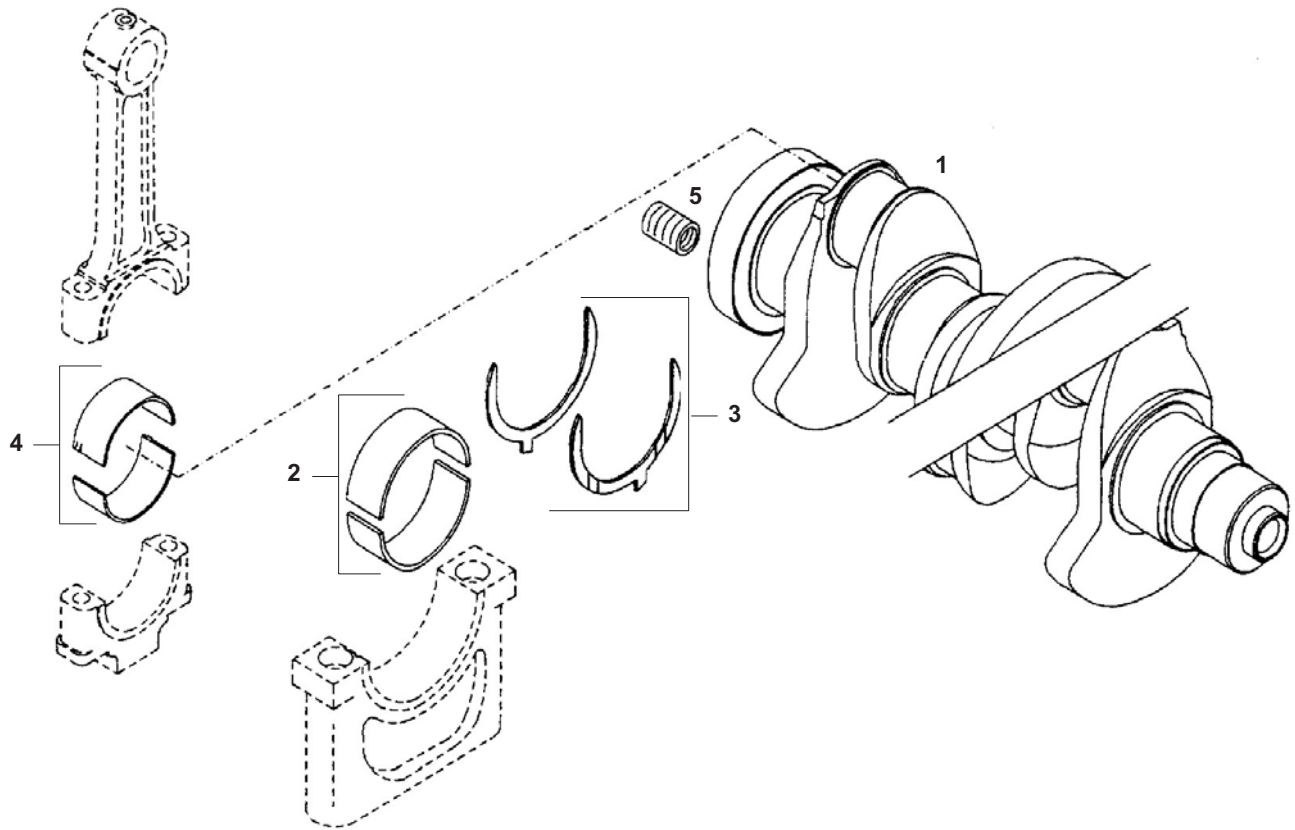
5069001

Ref No.	Part No.	Description	Quantity
1	133348	PAN/OIL (INCLUDES ITEMS 2,3)	1
2	133155	PLUG/SCREW 48 X 1.5MM	1
3	133203	RING/SEALING 48 X 59 X 3MM	1
4	133137	RING/SEALING 18 X 24MM	2
5	133143	PLUG/SCREW 18 X 1.5MM	1
6	133151	PLUG/SCREW 18 X 1.5MM	1
7	133233	BOLT/TORX HEAD 8 X 16MM CLASS 8.8	26
8	133104	COMPOUND/PACKING 300ML	AR



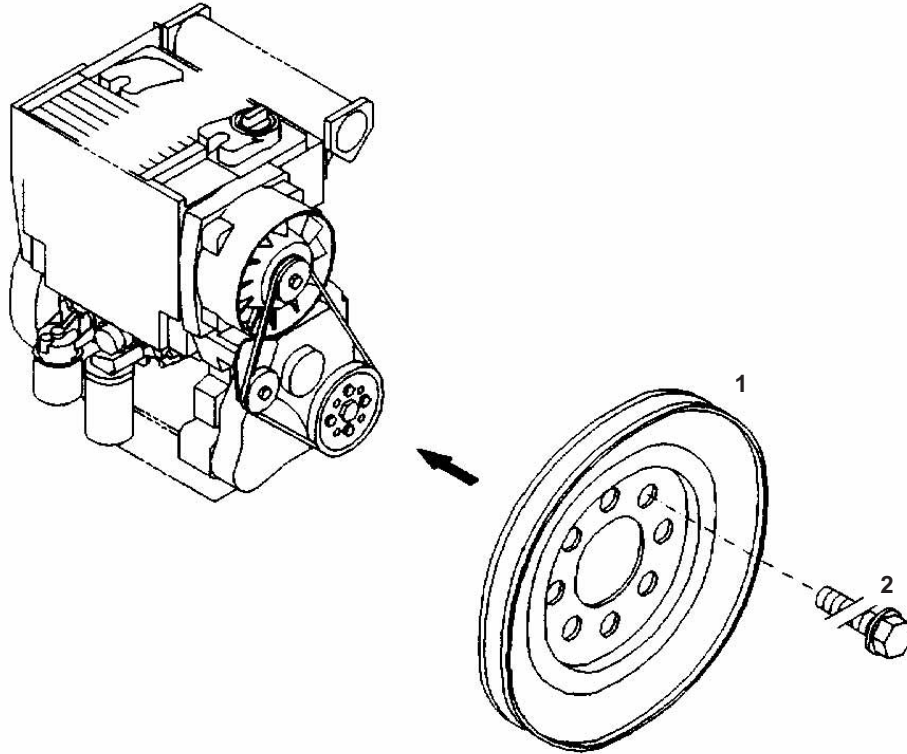
5063382

Ref No.	Part No.	Description	Quantity
1	133325	BOLT/HEX	1
2	133370	PULLEY/SYNCHRONOUS BELT	1
3	133381	FLANGE/OUTPUT	1



5068138

Ref No.	Part No.	Description	Quantity
1	133486	CRANKSHAFT (INCLUDES ITEMS 2-4)	1
2	133487	BEARING/MAIN STANDARD 70MM	5
2A	133488	BEARING/MAIN 1ST UNDERSIZE 69.75MM	5
2B	133489	BEARING/MAIN 2ND UNDERSIZE 69.50MM	5
3	133338	WASHER/THRUST STANDARD 2.4MM	1
3A	133339	WASHER/THRUST 1ST OVERSIZE 2.6MM	1
4	133490	BEARING/BIG END STANDARD 55MM	4
4A	133491	BEARING/BIG END 1ST UNDERSIZE 54.75MM	4
4B	133492	BEARING/BIG END 2ND UNDERSIZE 54.50MM	4
5	133515	INSERT/THREADED 10 X 1 X 5MM	AR

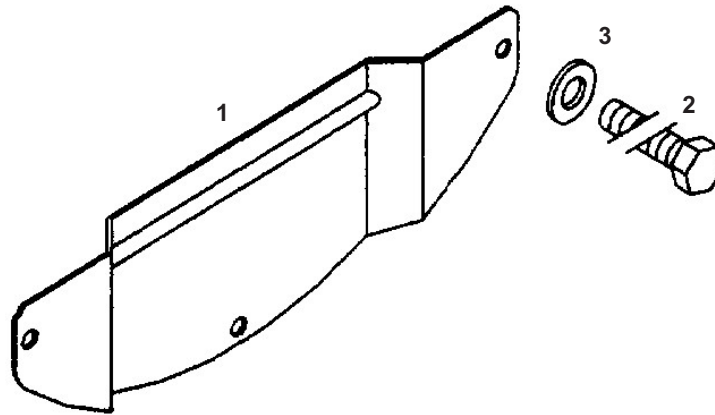


5051752

Ref No.	Part No.	Description	Quantity
1	133517 <sub>a</sub>	PULLEY/V-GROOVED - 162MM (USED W/1050MM V-BELT)	1
	133368 <sub>b</sub>	PULLEY/V-GROOVED - 195MM (USED W/1075MM V-BELT)	1
2	133230	BOLT/HEX 10 X 30MM CLASS 8.8	4

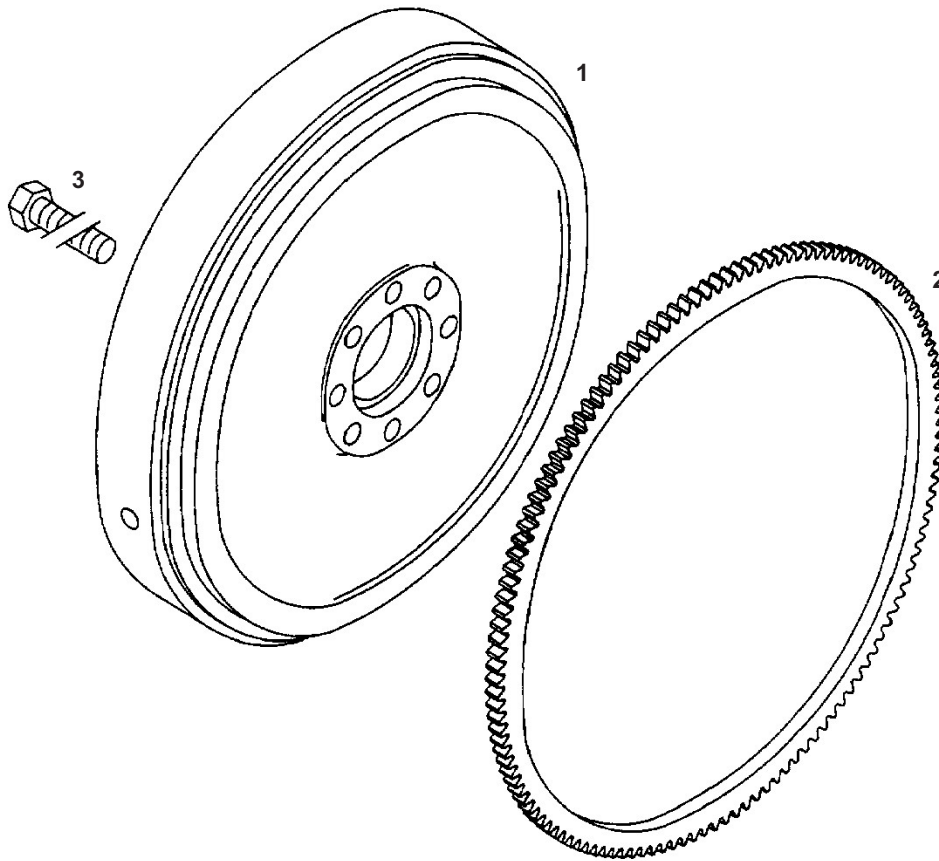
a) Engine serial number 0196377 and later.

b) Before engine serial number 0196377.



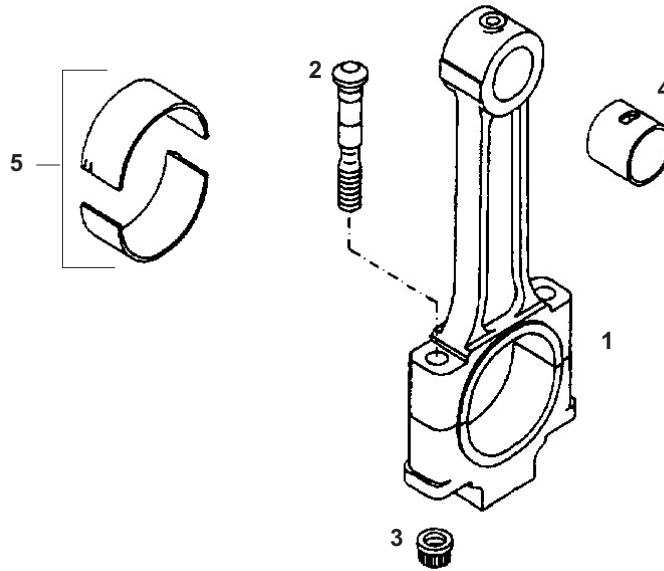
5051756

Ref No.	Part No.	Description	Quantity
1	133363	PLATE/COVER	1
2	133120	BOLT/HEX 6 X 10MM CLASS 8.8	3
3	133172	WASHER/PLAIN	3



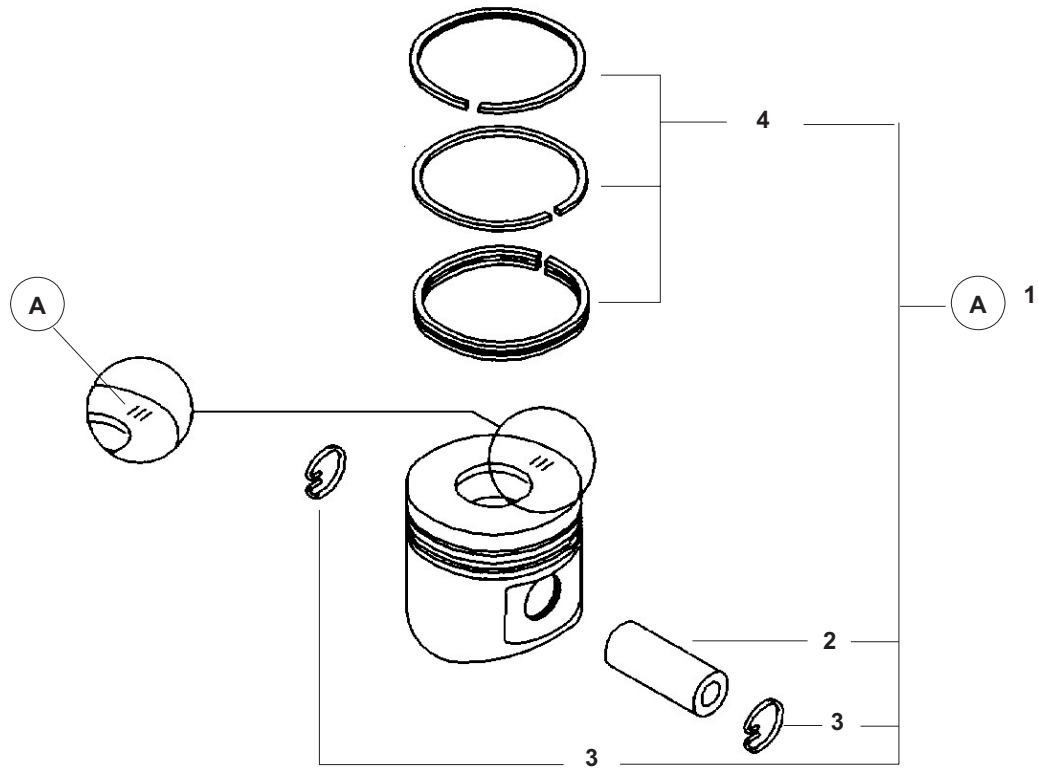
5068074

Ref No.	Part No.	Description	Quantity
1	133446	FLYWHEEL (INCLUDES ITEM 2)	1
2	133445	RIM/GEAR	1
3	133335	BOLT/SCREW	8



5068152

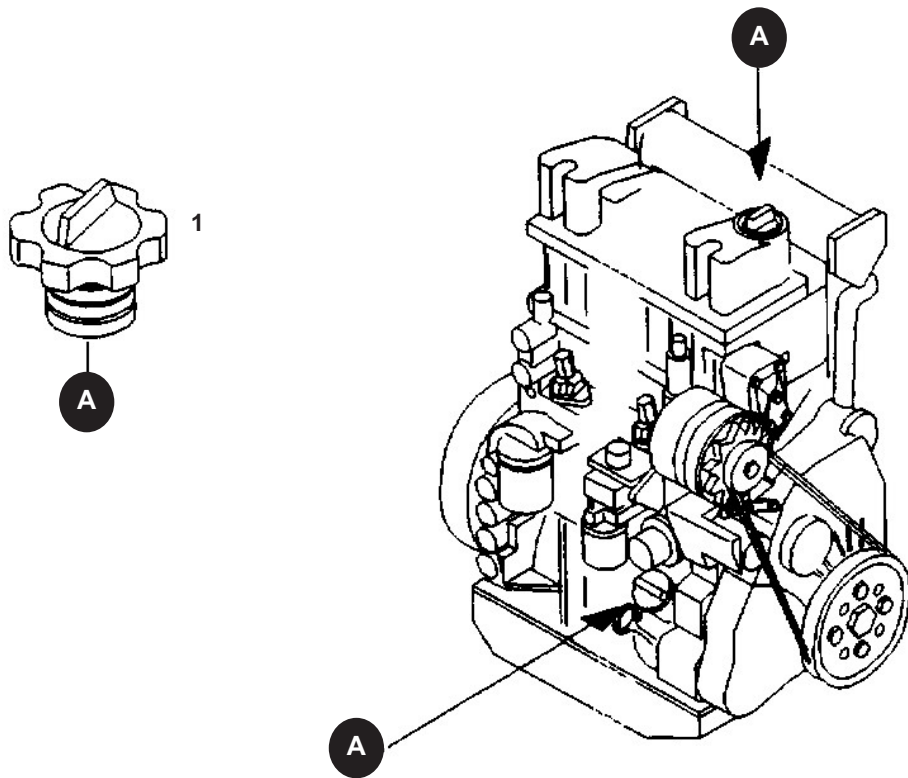
Ref No.	Part No.	Description	Quantity
1	133443	ROD/CONNECTING (INCLUDES ITEMS 2-4)	1
2	133441	BOLT/BIG END	2
3	133318	NUT	2
4	133357	BUSHING/BIG END STANDARD 33.07-33.11MM	1
4A	133358	BUSHING/BIG END OVERSIZE 33.23-33.36MM	1
5	133490	BEARING/BIG END STANDARD 55MM	1
5A	133491	BEARING/BIG END 1ST UNDERSIZE 54.75MM	1
5B	133492	BEARING/BIG END 2ND UNDERSIZE 54.50MM	1



5069099

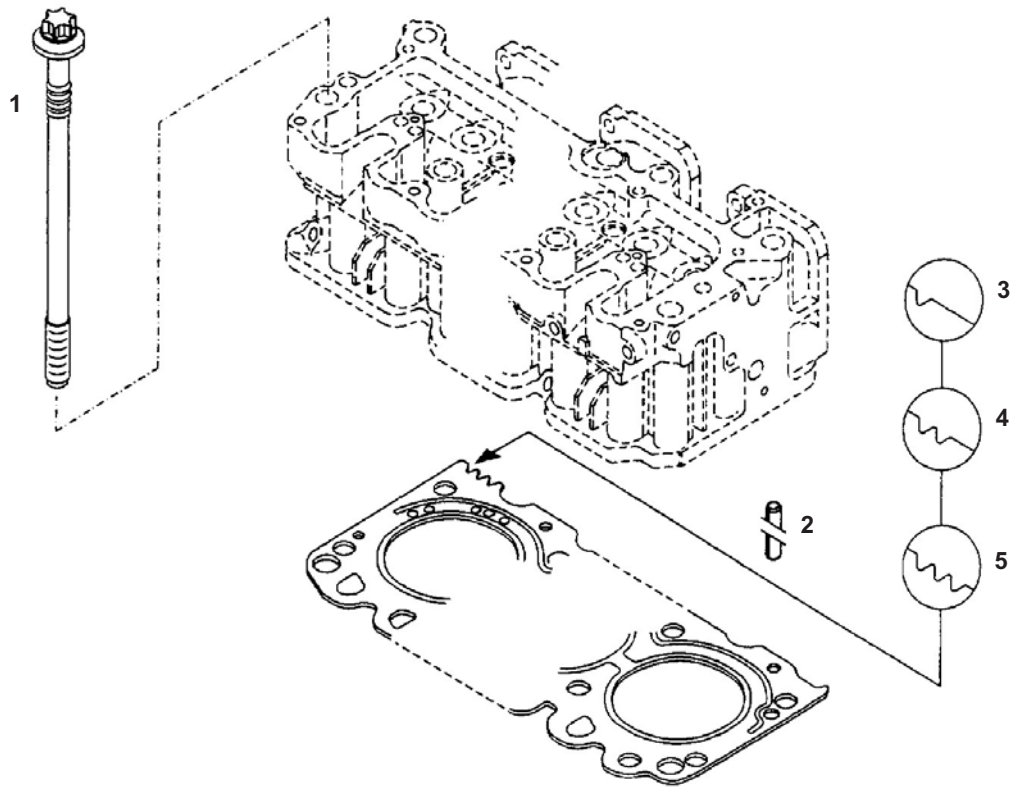
Ref No.	Part No.	Description	Quantity
1	133504	PISTON "A"	1
2	133369	PIN/PISTON	1
3	133159	RING/SNAP	2
4	133503	RINGS/SET OF PISTON	1





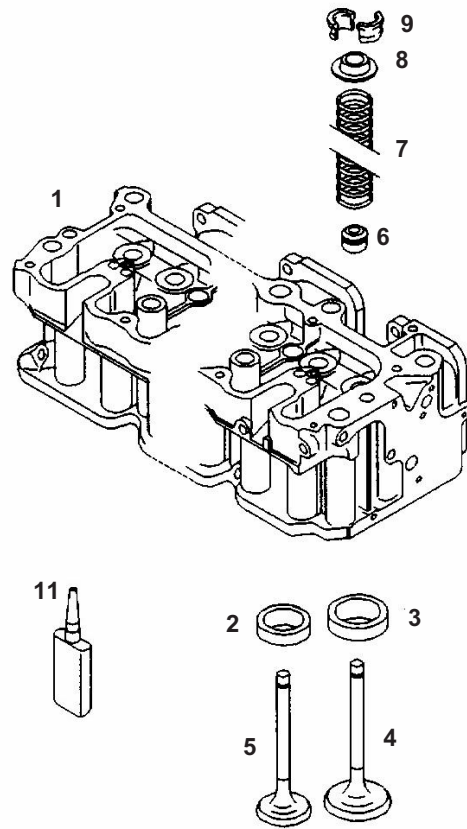
5067612

Ref No.	Part No.	Description	Quantity
1	133444	CAP/FILLER	AR



5067614

Ref No.	Part No.	Description	Quantity
1	135535	BOLT/CYLINDER HEAD	10
2	133427	PIN/SPIRAL	2
3	133574	GASKET/CYLINDER HEAD 1.48MM	AR
4	133575	GASKET/CYLINDER HEAD 1.55MM	AR
5	133576	GASKET/CYLINDER HEAD 1.60MM	AR

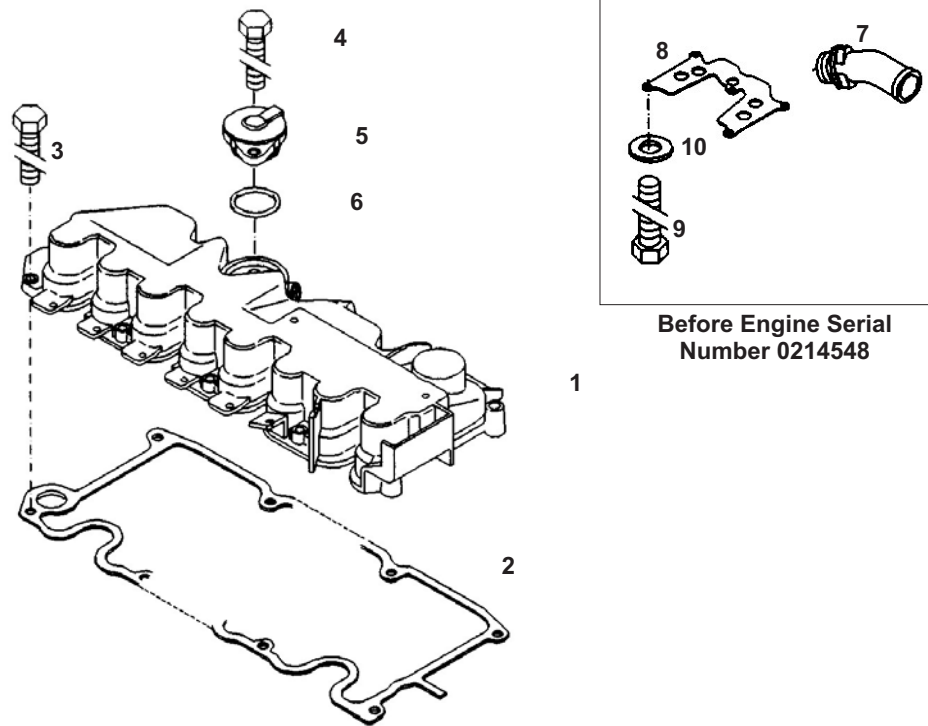


5069158

Ref No.	Part No.	Description	Quantity
1	133564 <sub>a</sub>	HEAD/CYLINDER (INCLUDES ITEMS 2-9)	1
	133458 <sub>b</sub>	HEAD/CYLINDER (INCLUDES ITEMS 2-9)	1
2	133380	INSERT/VALVE SEAT EXHAUST	4
2A	133327	INSERT/VALVE SEAT 1ST OVERSIZE 37.27MM	4
3	133403	INSERT/VALVE SEAT INTAKE	4
3A	133356	INSERT/VALVE SEAT 1ST OVERSIZE 42.87MM	4
4	133548 <sub>a</sub>	VALVE/INLET	4
	133359 <sub>b</sub>	VALVE/INLET	4
5	133362	VALVE/EXHAUST	4
6	133352	SEAL/VALVE STEM	8
7	133456	SPRING/COMPRESSION	8
8	133321	CAP/SPRING	8
9	133322	COLLET/VALVE	16
10	133353	GUIDE/VALVE (NOT SHOWN)	6
11	133106	AGENT/SAFETY LOCK	AR

a) Engine serial number 0214548 and later.

b) Before engine serial number 0214548.

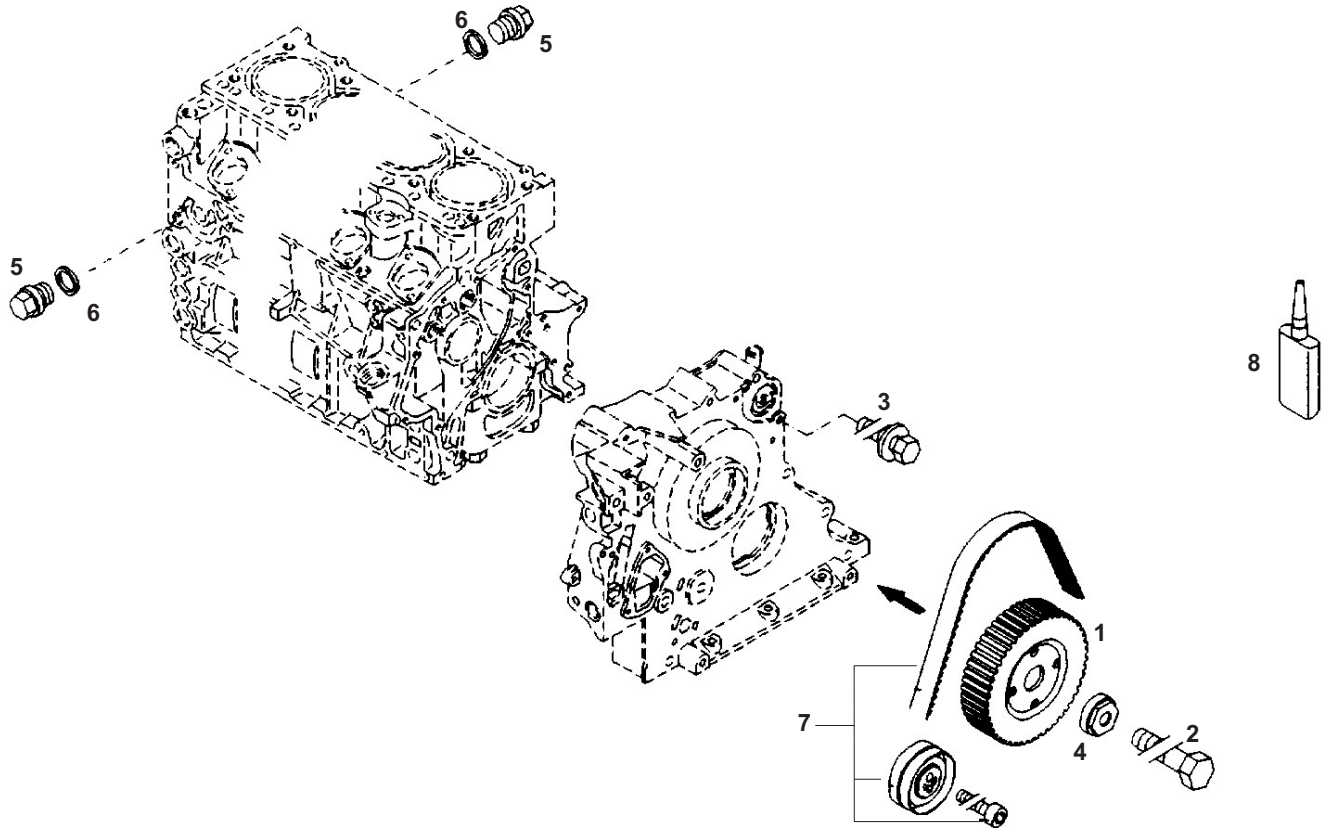


5069157  
5069113

Ref No.	Part No.	Description	Quantity
1	133565 <sub>a</sub>	COVER/CYLINDER HEAD	1
	133508 <sub>b</sub>	COVER/CYLINDER HEAD	1
2	133566 <sub>a</sub>	GASKET	1
	133472 <sub>b</sub>	GASKET	1
3	133164	BOLT/HEX 6 X 30MM CLASS 8.8	10
4	133163	BOLT/HEX 6 X 25MM CLASS 8.8	1
5	133426	VALVE/BREATHER	1
6	133250	O-SEAL 45 X 4MM	1
7	133509 <sub>b</sub>	ELBOW	1
8	133510 <sub>b</sub>	PLATE/COVER	1
9	133119 <sub>b</sub>	BOLT/HEX 5 X 10MM CLASS 8.8	5
10	133167 <sub>b</sub>	WASHER/PLAIN	5

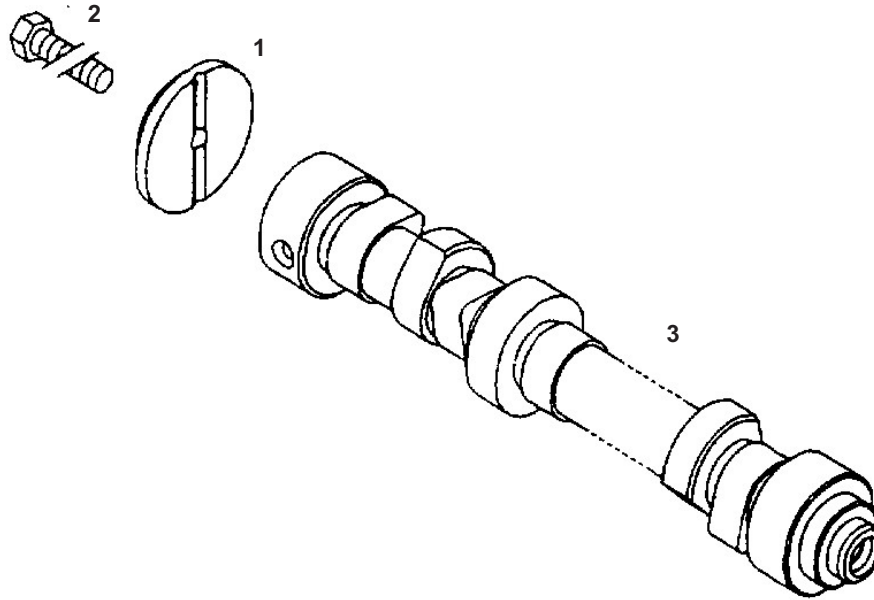
a) Engine serial number 0214548 and later.

b) Before engine serial number 0214548.



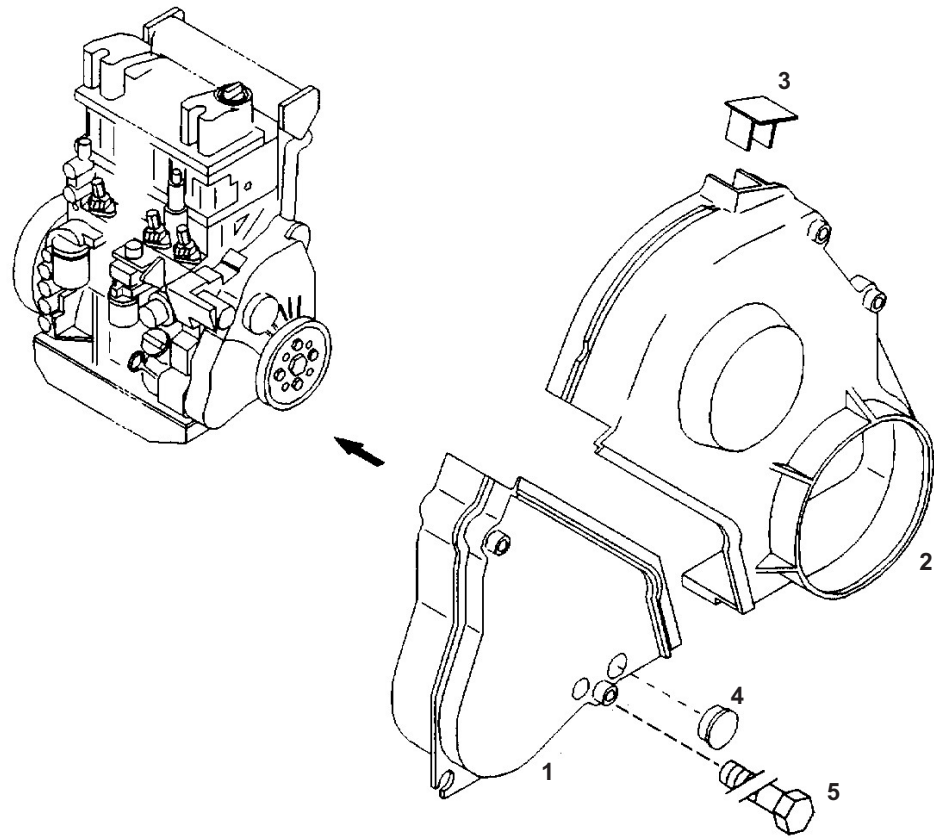
5067701

Ref No.	Part No.	Description	Quantity
1	133378	PULLEY/SYNCHRONOUS BELT	1
2	133242	BOLT/HEX 14 X 110MM CLASS 12.9	1
3	133231	BOLT/HEX 8 X 60MM CLASS 8.8	11
4	133324	WASHER/PLAIN	1
5	133144	PLUG/SCREW 10 X 1MM	2
6	133132	RING/SEALING 10 X 16MM	2
7	133347	KIT/REPAIR	1
8	133103	COMPOUND/PACKING	AR



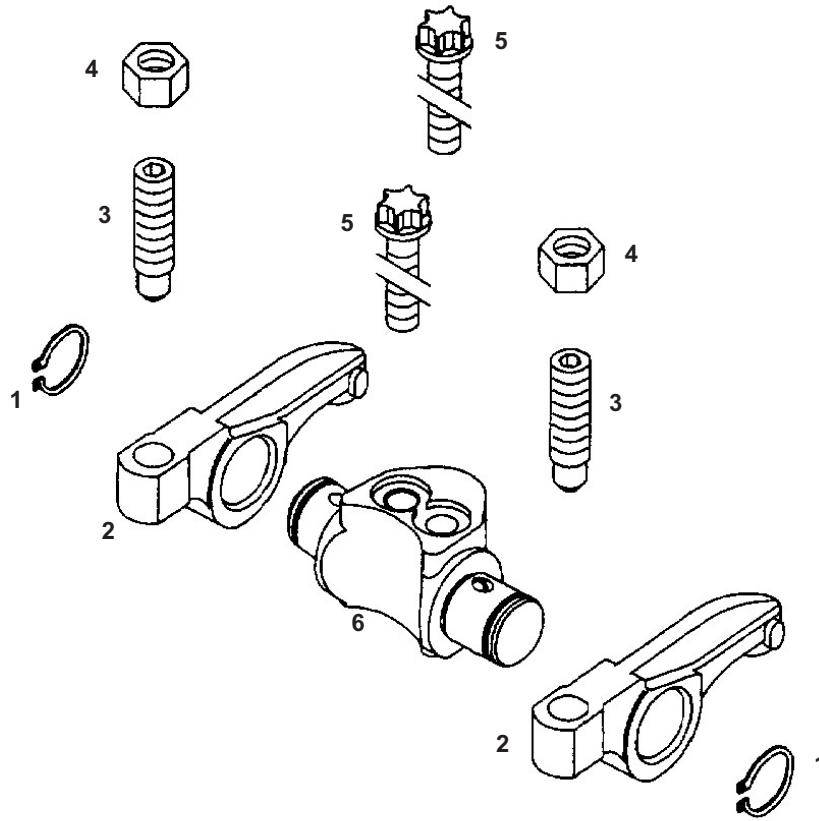
5068050

Ref No.	Part No.	Description	Quantity
1	133367	WASHER/THRUST	1
2	133158	BOLT/HEXAGON 8 X 35MM CLASS 8.8	1
3	133452	CAMSHAFT	1



5068149

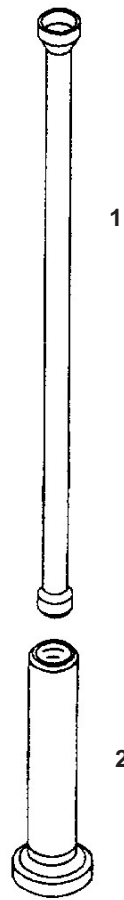
Ref No.	Part No.	Description	Quantity
1	135545	HOOD/PROTECTION (INCLUDES ITEM 4)	1
2	133467	HOOD/PROTECTION	1
3	135534	PLUG	1
4	133216	PLUG	1
5	135492	BOLT/HEX 6 X 70MM CLASS 8.8	4



5051930

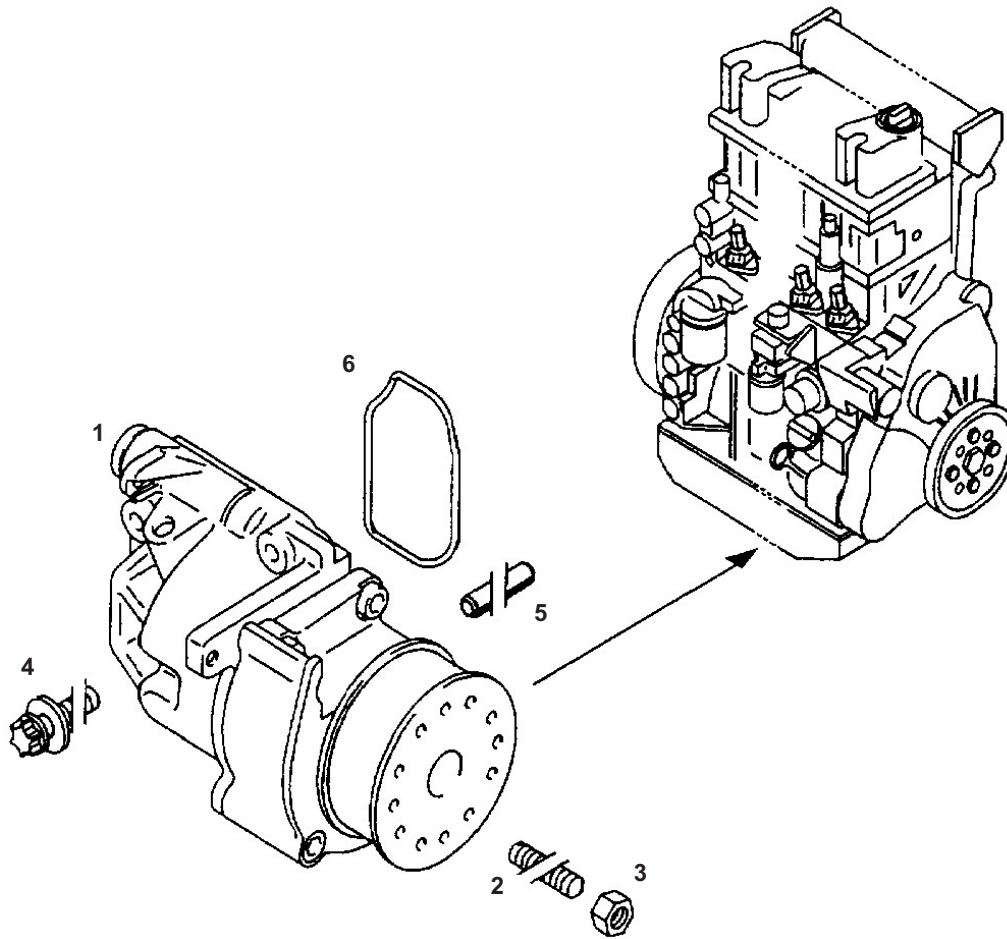
Ref No.	Part No.	Description	Quantity
1	133113	CIRCLIP	2
2	133332	ARM/ROCKER	2
3	133333	SCREW/ADJUSTING	2
4	133334	NUT/HEX	2
5	135501	BOLT/TORX HEAD 8 X 45MM	2
6	133375	BRACKET/ROCKER ARM (INCLUDES ITEMS1-4)	1





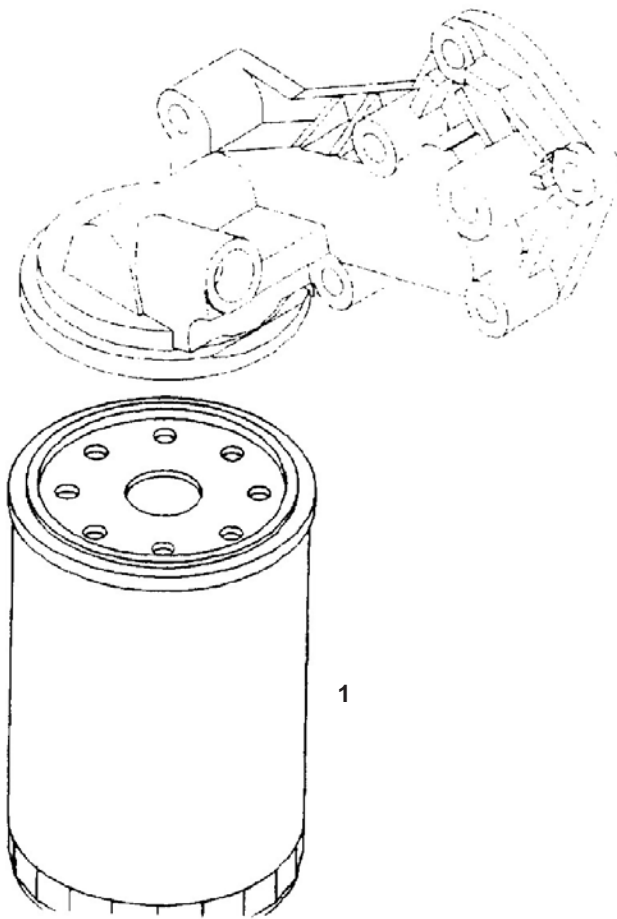
5067617

Ref No.	Part No.	Description	Quantity
1	133330	PUSHROD	2
2	133402	TAPPET/VALVE	2



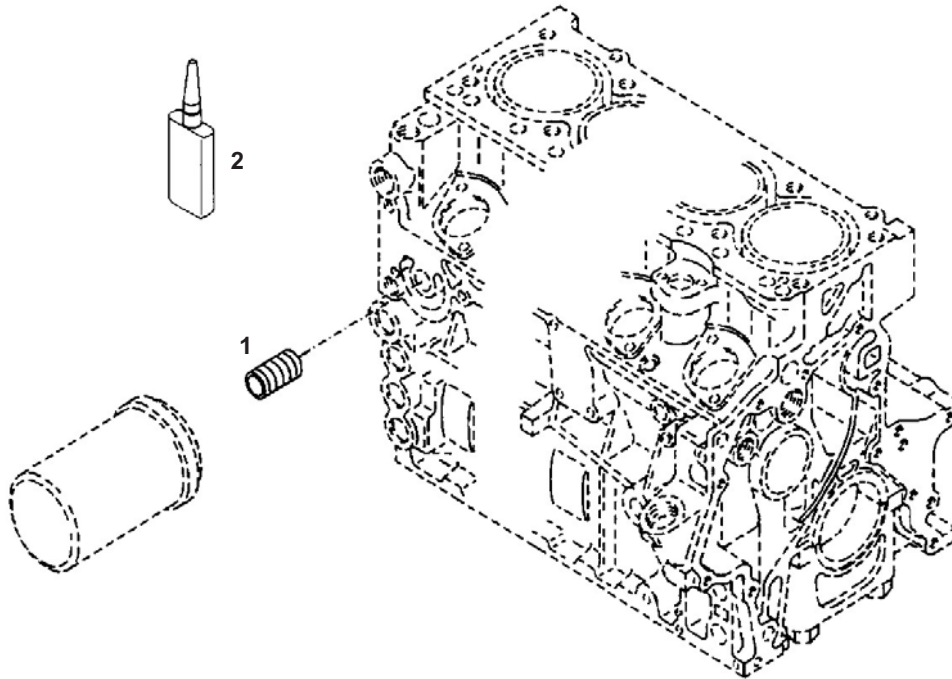
5067615

Ref No.	Part No.	Description	Quantity
1	133439	PUMP/LUBRICATION OIL (INCLUDES ITEMS 2,3)	1
2	133142	SCREW/SET	1
3	133125	NUT/HEX 6-8MM	1
4	133237	BOLT/TORX HEAD 8 X 35MM CLASS 8.8	4
5	133428	PIN/SPIRAL	2
6	133440	RING/SEALING	1



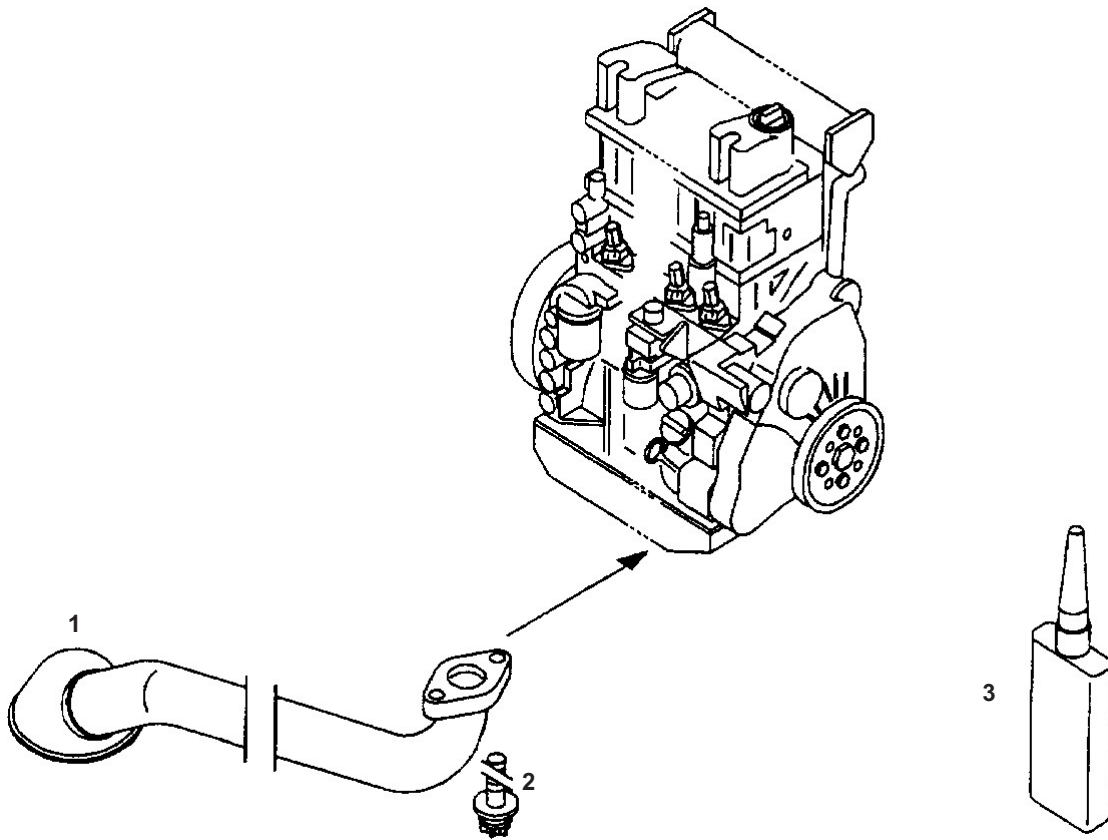
5064400

Ref No.	Part No.	Description	Quantity
1	132023	FILTER/SPIN-ON	1



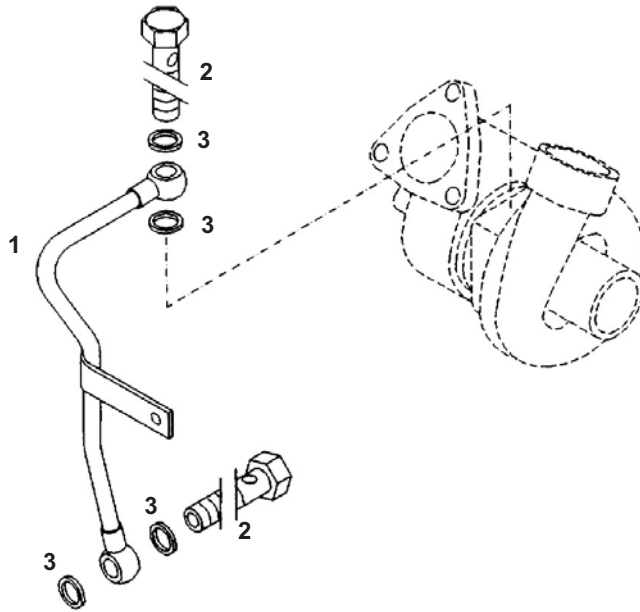
5068022

Ref No.	Part No.	Description	Quantity
1	133326	BUSHING/SCREWED	1
2	133105	AGENT/SAFETY LOCK 50 ML	AR



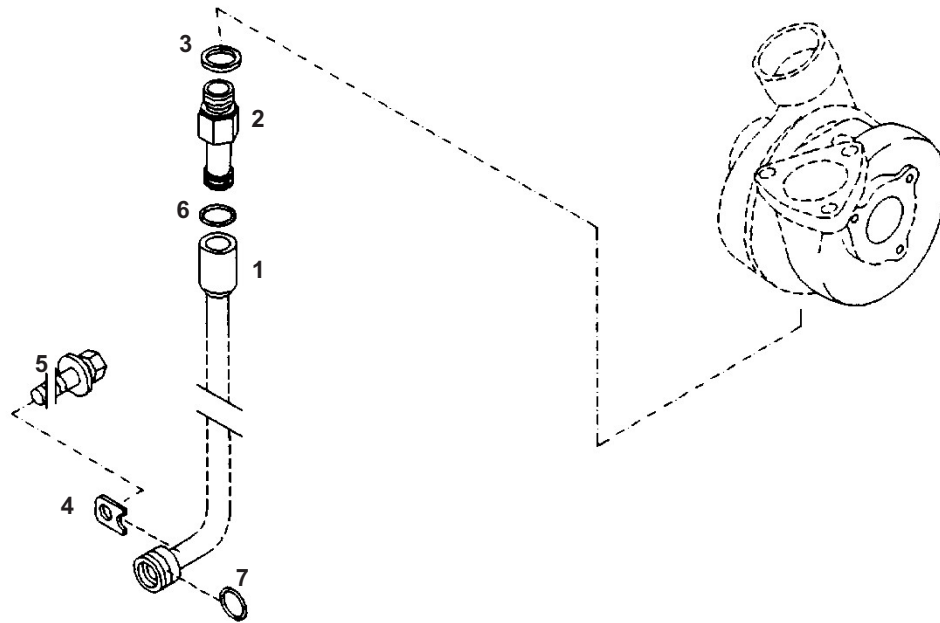
5067625

Ref No.	Part No.	Description	Quantity
1	133407	PIPE/OIL SUCTION	1
2	133235	BOLT/TORX HEAD 8 X 25MM CLAS 8.8	2
3	133103	COMPOUND/PACKING	AR



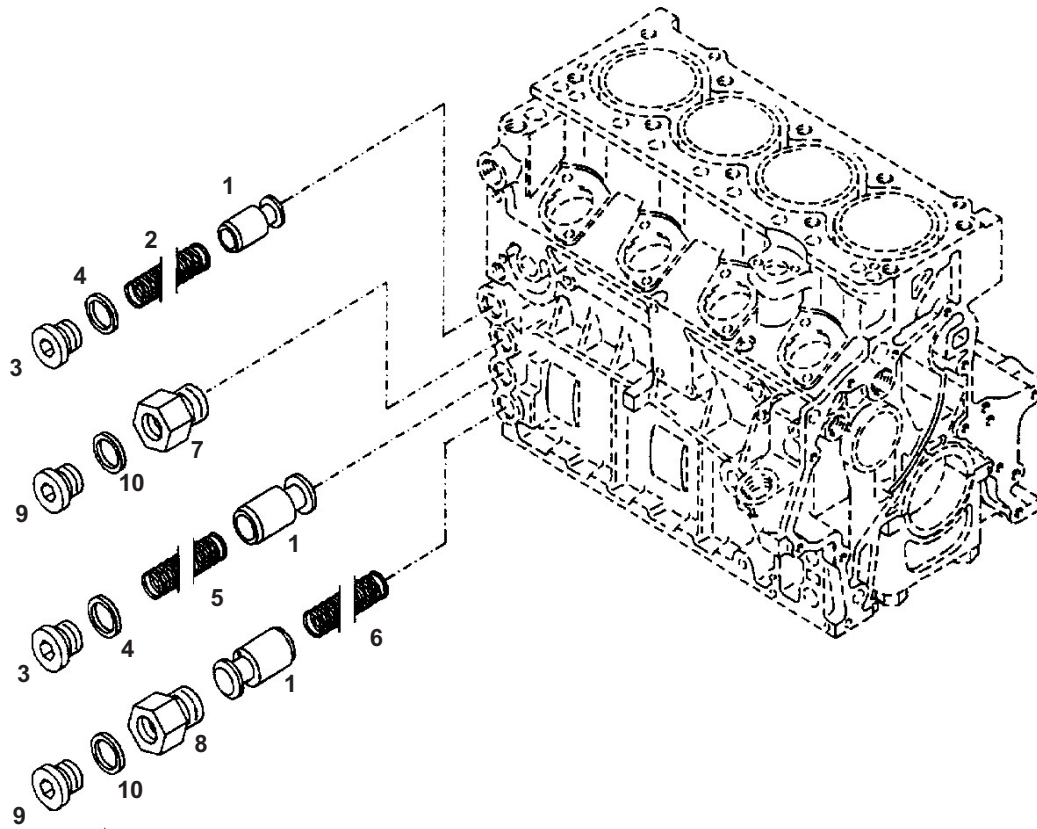
5069035

Ref No.	Part No.	Description	Quantity
1	133498	LINE/LUBRICATION OIL	1
2	133141	SCREW/HOLLOW	2
3	133133	RING/SEALING	4



5068258

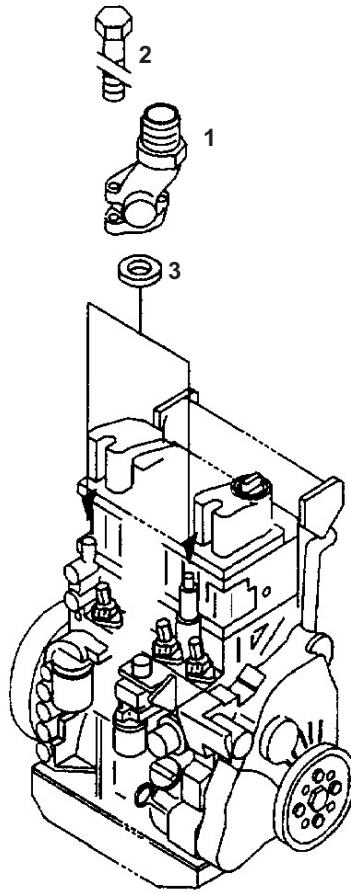
Ref No.	Part No.	Description	Quantity
1	133495	LINE/OIL RETURN	1
2	133478	NIPPLE/SCREW-IN	1
3	133135	RING/SEALING	1
4	133551	PLATE/RETAINING	1
5	133232	BOLT/HEX 6 X 14MM CLASS 8.8	1
6	133153	O-RING 14 X 2.5MM	1
7	133259	O-RING 12 X 3MM	1



5067710

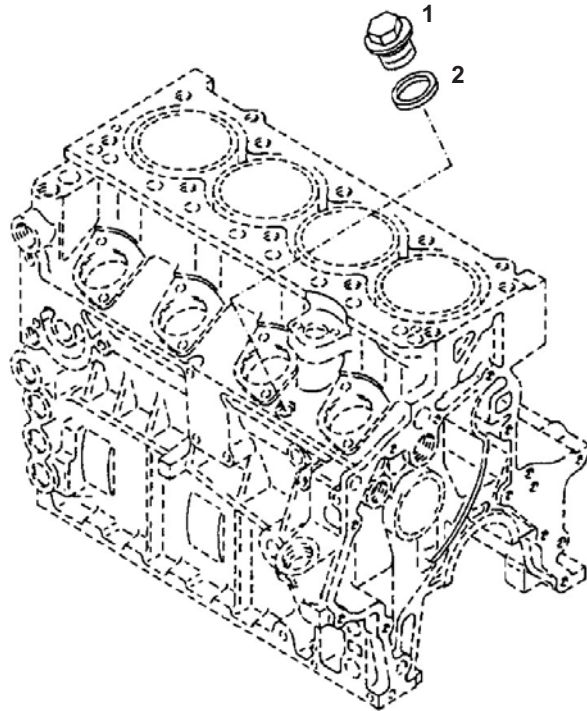
Ref No.	Part No.	Description	Quantity
1	133414	VALVE	3
2	133415	SPRING/COMPRESSION	1
3	133109	PLUG/SCREW 24 X 1.5MM	2
4	133139	RING/SEALING 24 X 29MM	2
5	133451	SPRING/COMPRESSION	1
6	133416	SPRING/COMPRESSION	1
7	133409	NIPPLE/ADAPTER	1
8	133410	NIPPLE/ADAPTER	1
9	133176	PLUG/SCREW 18 X 1.5MM	2
10	133136	RING/SEALING 18 X 20MM	2





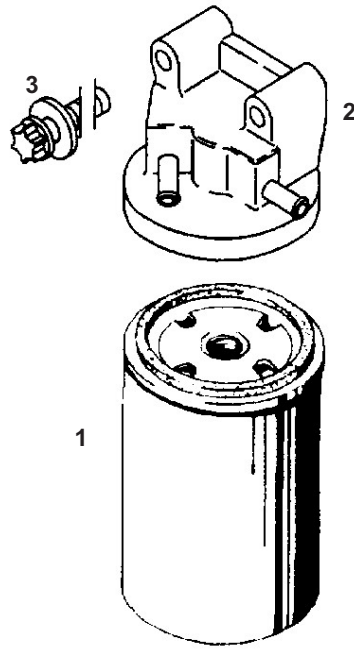
5068145

<b>Ref No.</b>	<b>Part No.</b>	<b>Description</b>	<b>Quantity</b>
1	133465	CONNECTION/RADIATOR	2
2	133165	BOLT/HEX 6 X 60MM CLASS 10.9	4
3	133245	RING/SEALING 21.8 X 1.5MM	2



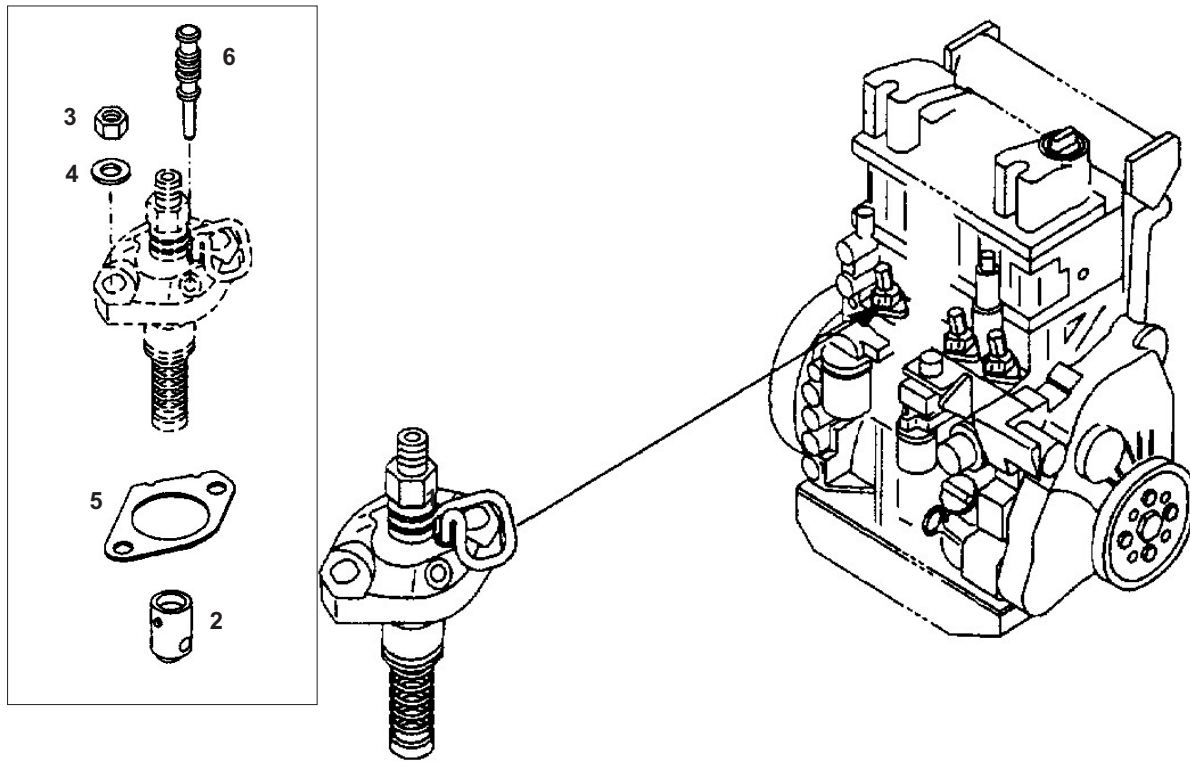
5067639

Ref No.	Part No.	Description	Quantity
1	133116	PLUG/SCREW 10 X 1MM	1
2	133132	RING/SEALING 10 X 16MM	1



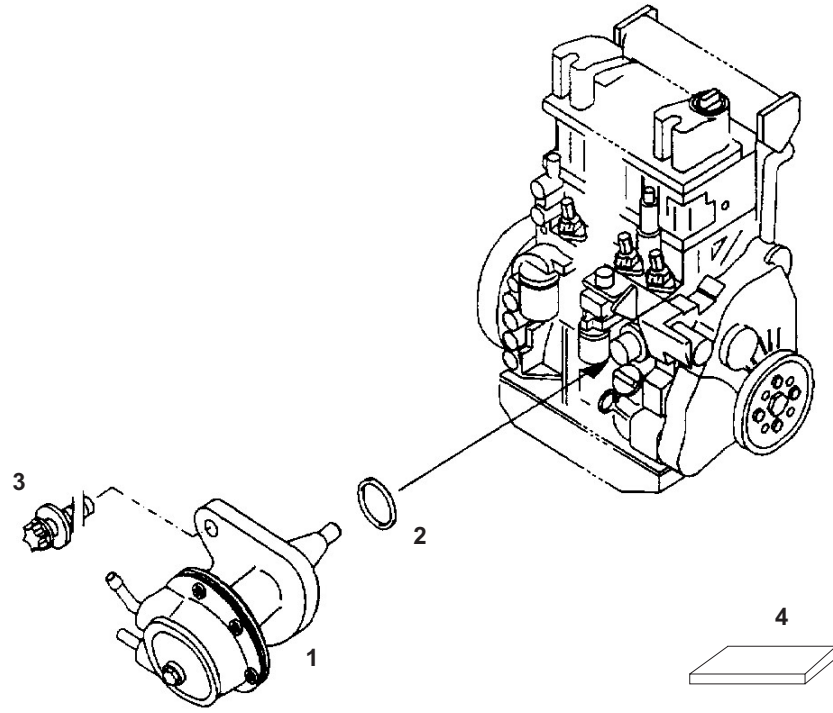
5067542  
5068026

Ref No.	Part No.	Description	Quantity
1	132024	FILTER/FUEL	1
2	133429	BRACKET	1
3	133238	BOLT/TORX HEAD 8 X 50MM CLASS 8.8	2



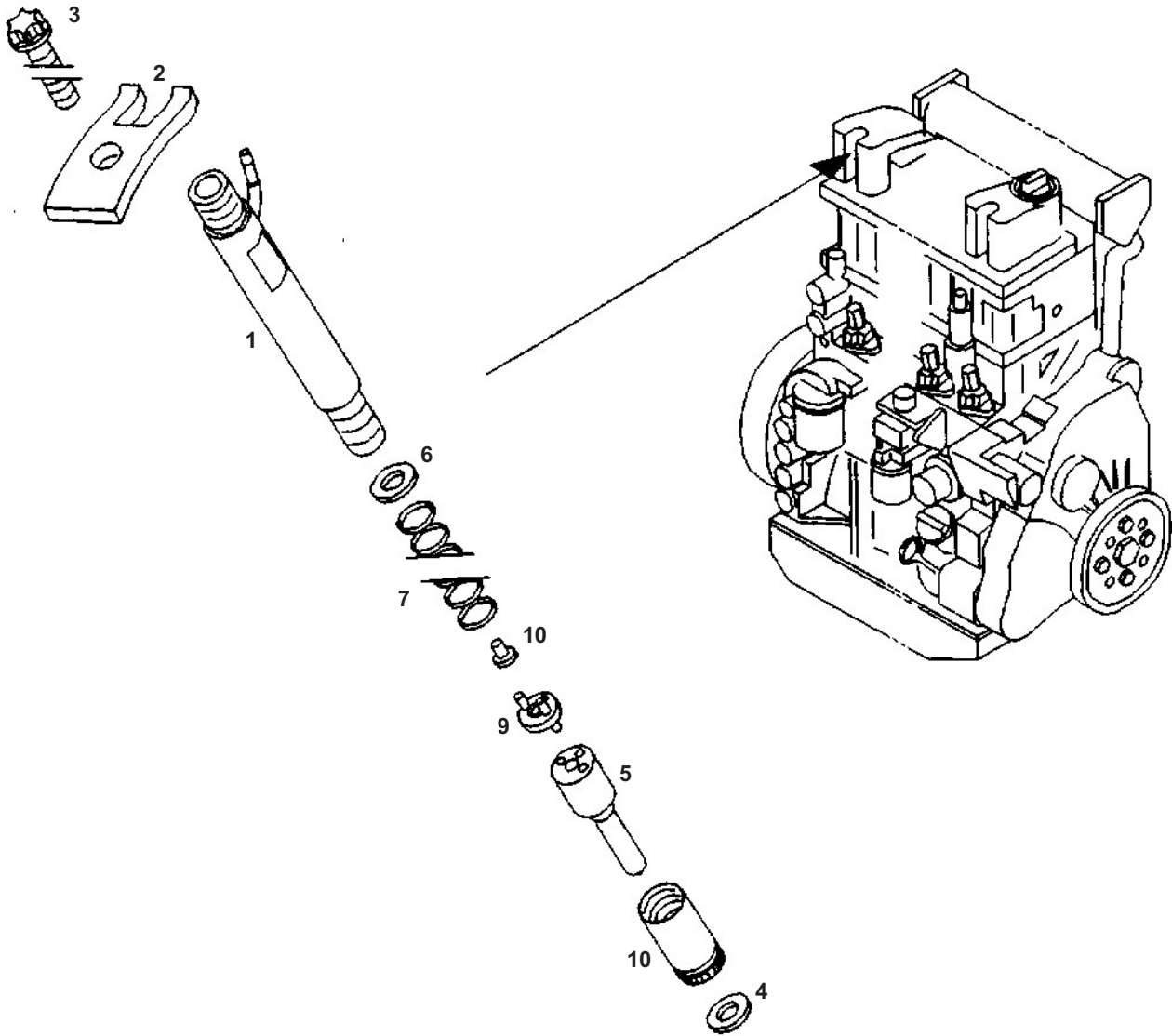
5068097  
5068098

Ref No.	Part No.	Description	Quantity
1	133454	PUMP/FUEL INJECTOR	1
2	133392	TAPPET/ROLLER	1
3	133126	NUT/HEX 8-8MM	2
4	133337	WASHER/PLAIN	2
5	133418	GASKET/COMPENSATION 0.4MM	AR
5A	133419	GASKET/COMPENSATION 0.5MM	AR
5B	133420	GASKET/COMPENSATION 0.6MM	AR
5C	133421	GASKET/COMPENSATION 0.7MM	AR
5D	133422	GASKET/COMPENSATION 0.8MM	AR
5E	133423	GASKET/COMPENSATION 0.9MM	AR
5F	133424	GASKET/COMPENSATION 1.0MM	AR
6	133438	PLUG	1



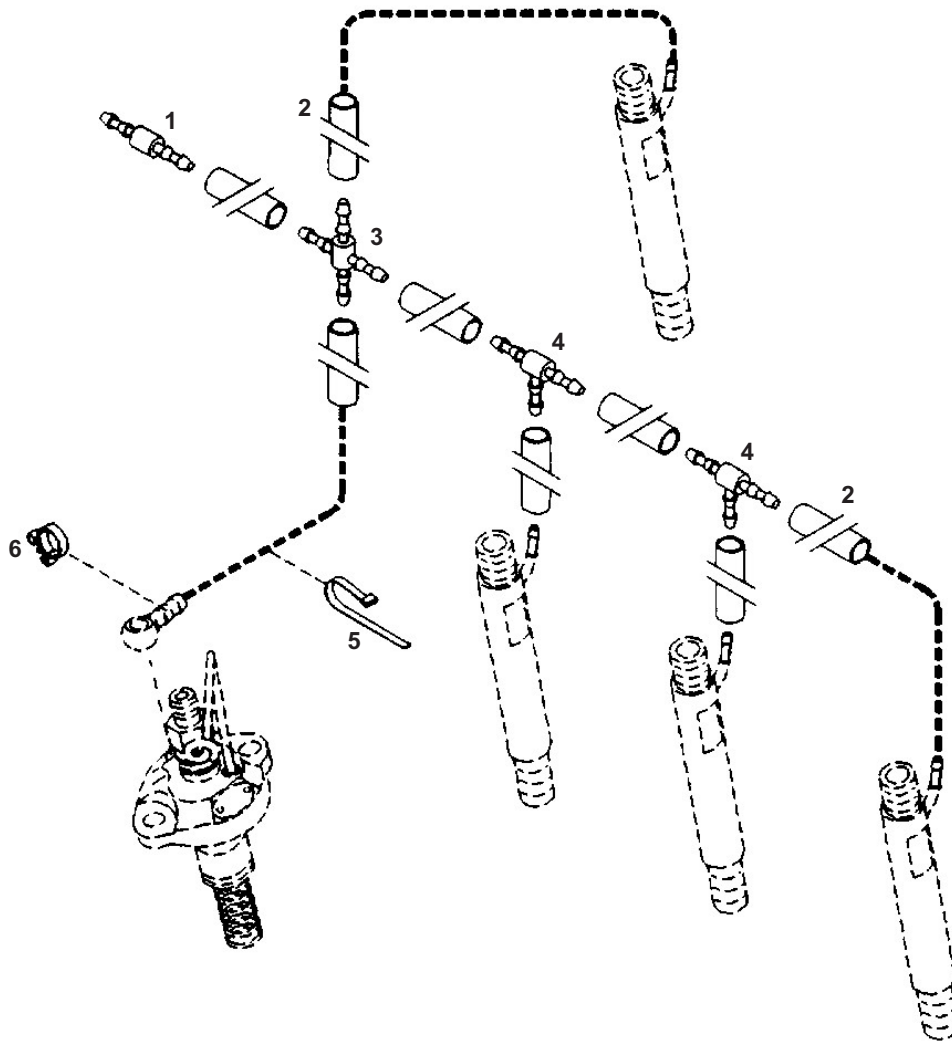
5067638

Ref No.	Part No.	Description	Quantity
1	133462	PUMP/FUEL SUPPLY	1
2	133218	O-RING 30 X 3MM	1
3	133234	BOLT/TORX HEAD 8 X 20MM CLASS 8.8	2
4	133479	KIT/REPAIR	AR



5068001

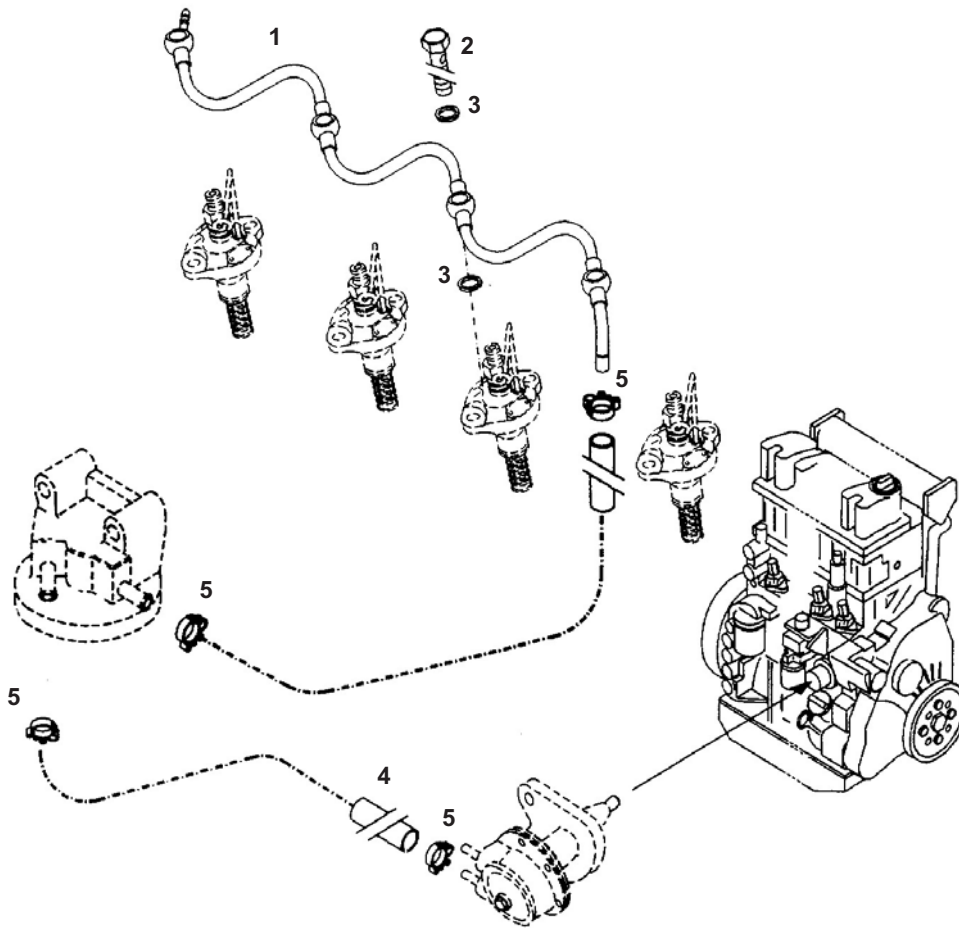
<b>Ref No.</b>	<b>Part No.</b>	<b>Description</b>	<b>Quantity</b>
1	133398	INJECTOR/FUEL (INCLUDES ITEMS 5-10)	1
2	133399	CLAW	1
3	133254	BOLT/TORX HEAD 8 X 20MM CLASS 8.8	1
4	133391	RING/SEALING	1
5	133397	ELEMENT/NOZZLE	1
6	133263	SHIM STANDARD 1.00MM	AR
6A	133269	SHIM OVERSIZE 1.04MM	AR
6B	133370	SHIM OVERSIZE 1.08MM	AR
6C	133264	SHIM OVERSIZE 1.10MM	AR
6D	133271	SHIM OVERSIZE 1.14MM	AR
6E	133272	SHIM OVERSIZE 1.18MM	AR
6F	133273	SHIM OVERSIZE 1.20MM	AR
6G	133297	SHIM OVERSIZE 1.22MM	AR
6H	133265	SHIM OVERSIZE 1.24MM	AR
6I	133274	SHIM OVERSIZE 1.28MM	AR
6J	133275	SHIM OVERSIZE 1.30MM	AR
6K	133276	SHIM OVERSIZE 1.34MM	AR
6L	133277	SHIM OVERSIZE 1.38MM	AR
6M	133278	SHIM OVERSIZE 1.40MM	AR
6N	133279	SHIM OVERSIZE 1.44MM	AR
6O	133280	SHIM OVERSIZE 1.48MM	AR
6P	133266	SHIM OVERSIZE 1.50MM	AR
6Q	133281	SHIM OVERSIZE 1.54MM	AR
6R	133282	SHIM OVERSIZE 1.58MM	AR
6S	133283	SHIM OVERSIZE 1.60MM	AR
6T	133284	SHIM OVERSIZE 1.64MM	AR
6U	133285	SHIM OVERSIZE 1.68MM	AR
6V	133286	SHIM OVERSIZE 1.70MM	AR
6W	133267	SHIM OVERSIZE 1.74MM	AR
6X	133287	SHIM OVERSIZE 1.78MM	AR
6Y	133288	SHIM OVERSIZE 1.80MM	AR
6Z	133289	SHIM OVERSIZE 1.84MM	AR
6AA	133290	SHIM OVERSIZE 1.88MM	AR
6AB	133291	SHIM OVERSIZE 1.90MM	AR
6AC	133292	SHIM OVERSIZE 1.94MM	AR
6AD	133268	SHIM OVERSIZE 1.98MM	AR
7	133293	SPRING/COMPRESSION	1
8	133294	BOLT/THRUST	1
9	133295	SPACER	1
10	133296	NUT/NOZZLE CAP	1



5069006

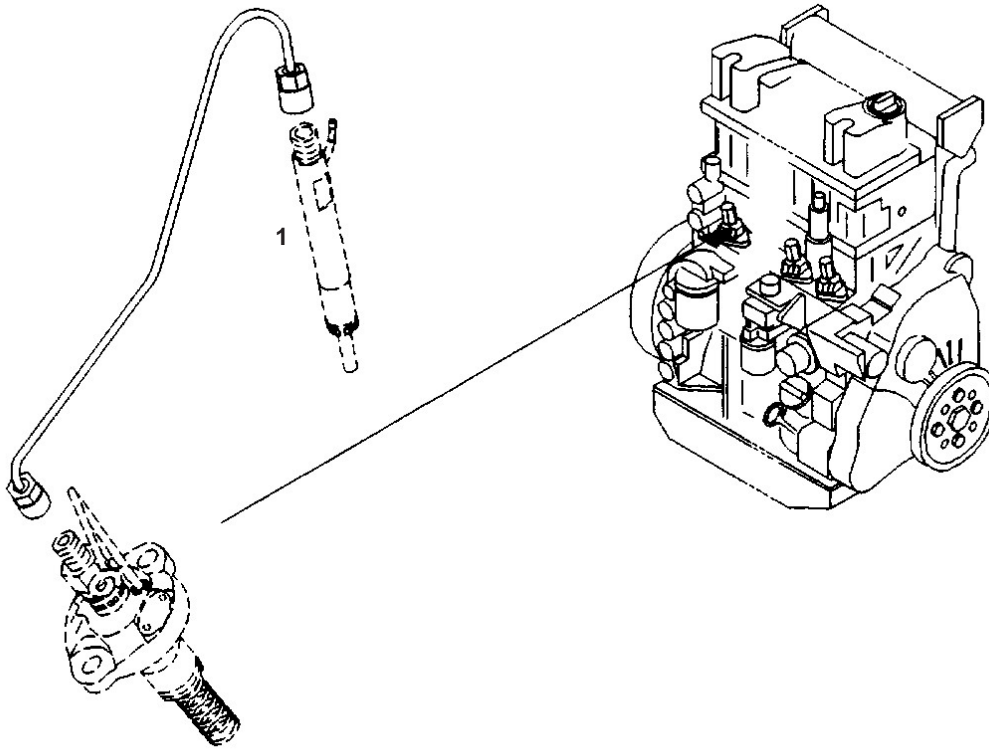
Ref No.	Part No.	Description	Quantity
1	133579	PIECE/CONNECTING	1
2	133310	HOSE/RUBBER (CUT TO FIT)	1 METER
3	133581	PIECE/CROSS	1
4	133582	T-FITTING	2
5	133244	BAND/CLAMPING	1
6	133583	CLIP/HOSE	1





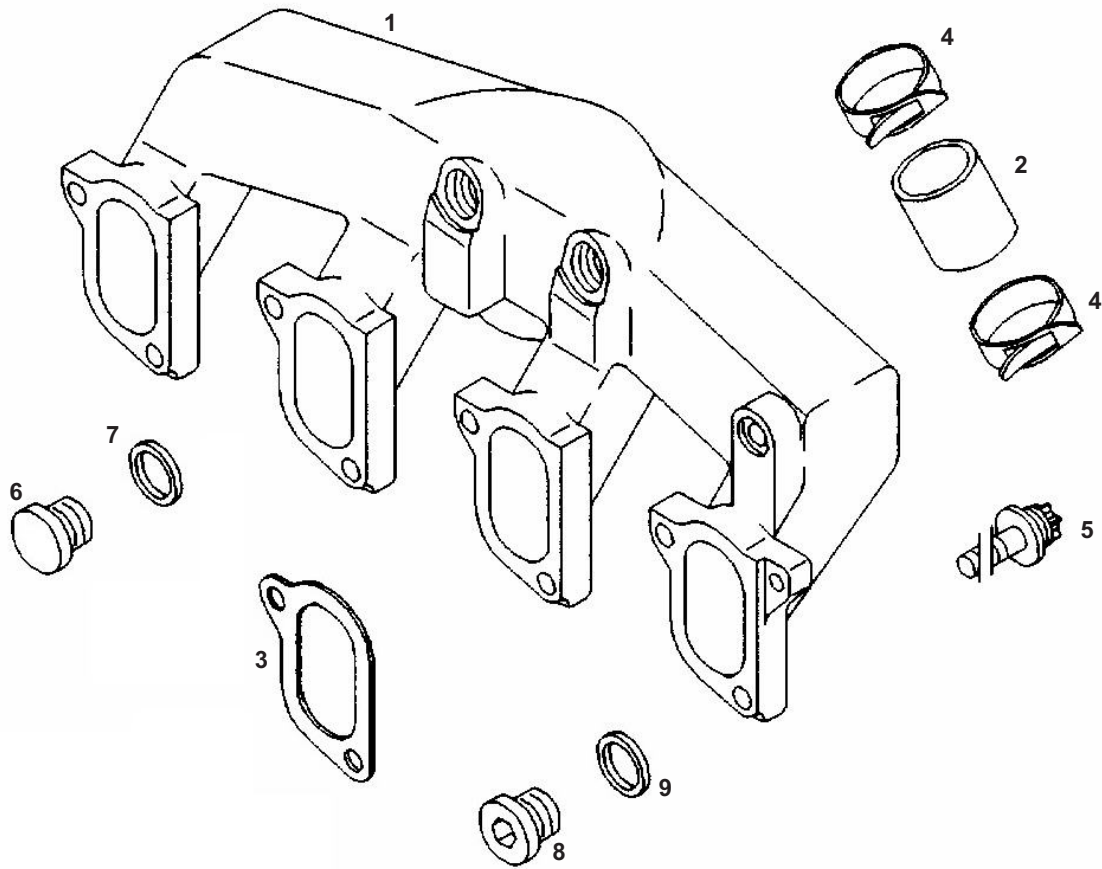
5068027  
 5068027  
 5068105

Ref No.	Part No.	Description	Quantity
1	133450	LINE/FUEL	1
2	133141	SCREW/HOLLOW	4
3	133170	RING/SEALING	8
4	133308	HOSE/RUBBER (CUT TO FIT)	1 METER
5	133243	CLIP/HOSE	4



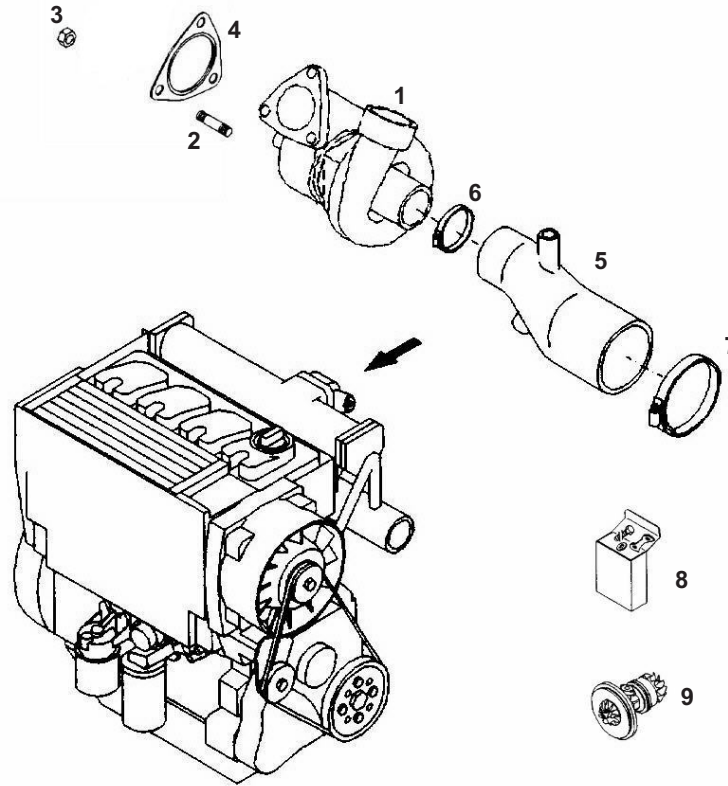
5068227

Ref No.	Part No.	Description	Quantity
1	133461	PIPE/HIGH PRESSURE	1



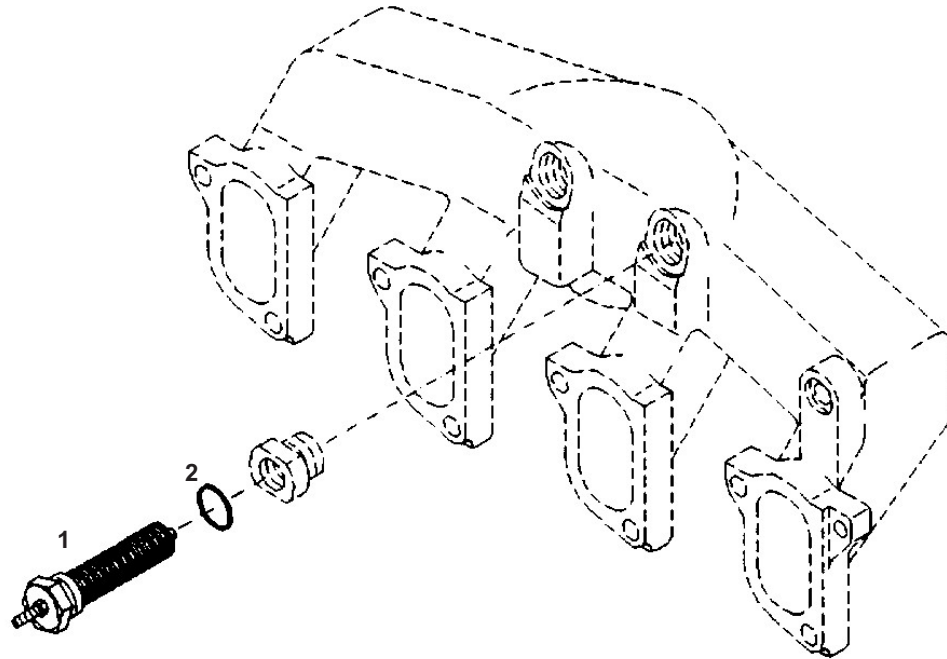
5068275

Ref No.	Part No.	Description	Quantity
1	133485	PIPE/SUCTION	1
2	133201	SLEEVE/RUBBER	1
3	133463	GASKET	4
4	133214	CLAMP/SPRING BAND	2
5	133236	BOLT/TORX HEAD 8 X 30MM CLASS 8.8	8
6	133168	PLUG/SCREW 22 X 1.5MM	1
7	133138	RING/SEALING 22 X 27MM	1
8	133147	PLUG/SCREW 10 X 1MM	1
9	133131	RING/SEALING 10 X 14MM	1



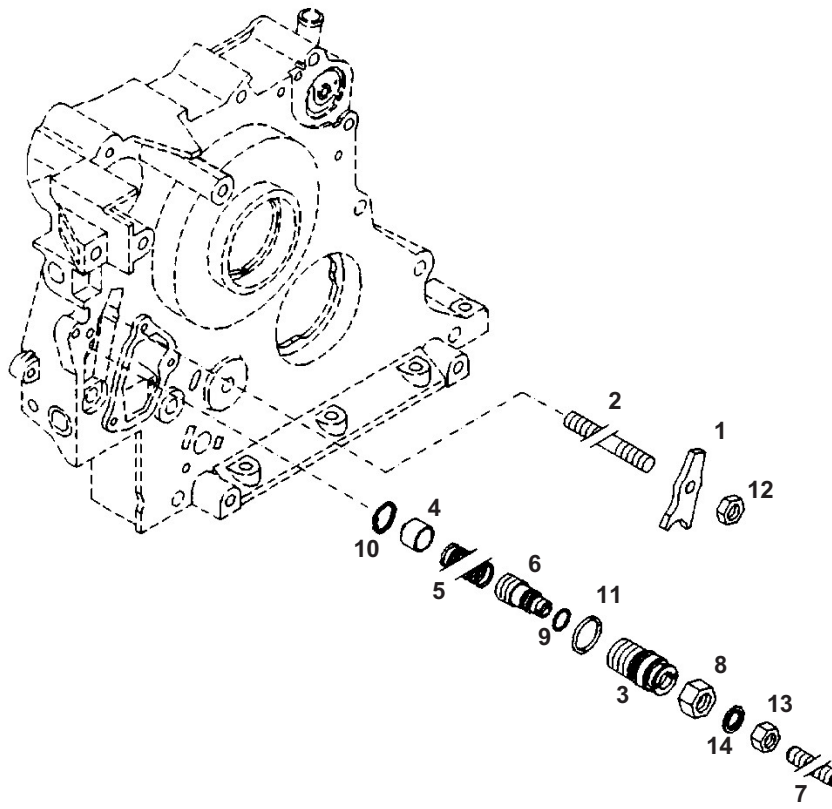
5069171  
 5069060  
 5063108

Ref No.	Part No.	Description	Quantity
1	133496	TURBOCHARGER	1
2	133180	STUD	3
3	133146	NUT/HEX 8-10MM	3
4	133364	GASKET	1
5	133577	REDUCER	1
6	133200	CLIP/HOSE	1
7	133190	CLIP/HOSE	1
8	133298	KIT/REPAIR	1
9	133299	ASSEMBLY/CORE	1



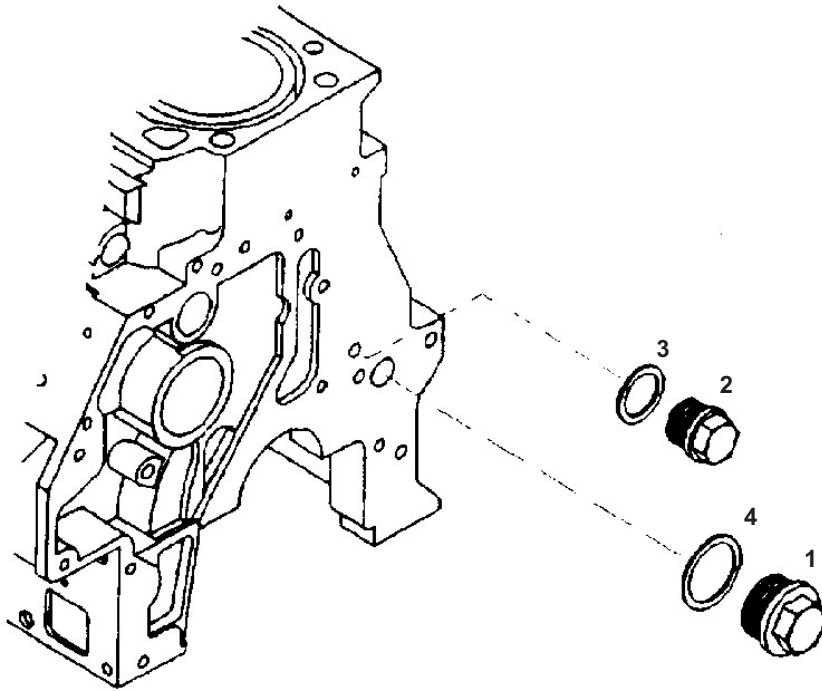
5063365

Ref No.	Part No.	Description	Quantity
1	133215	PLUG/GLOW 22 X 1.5MM	1
2	133138	RING/SEALING 22 X 27MM	1



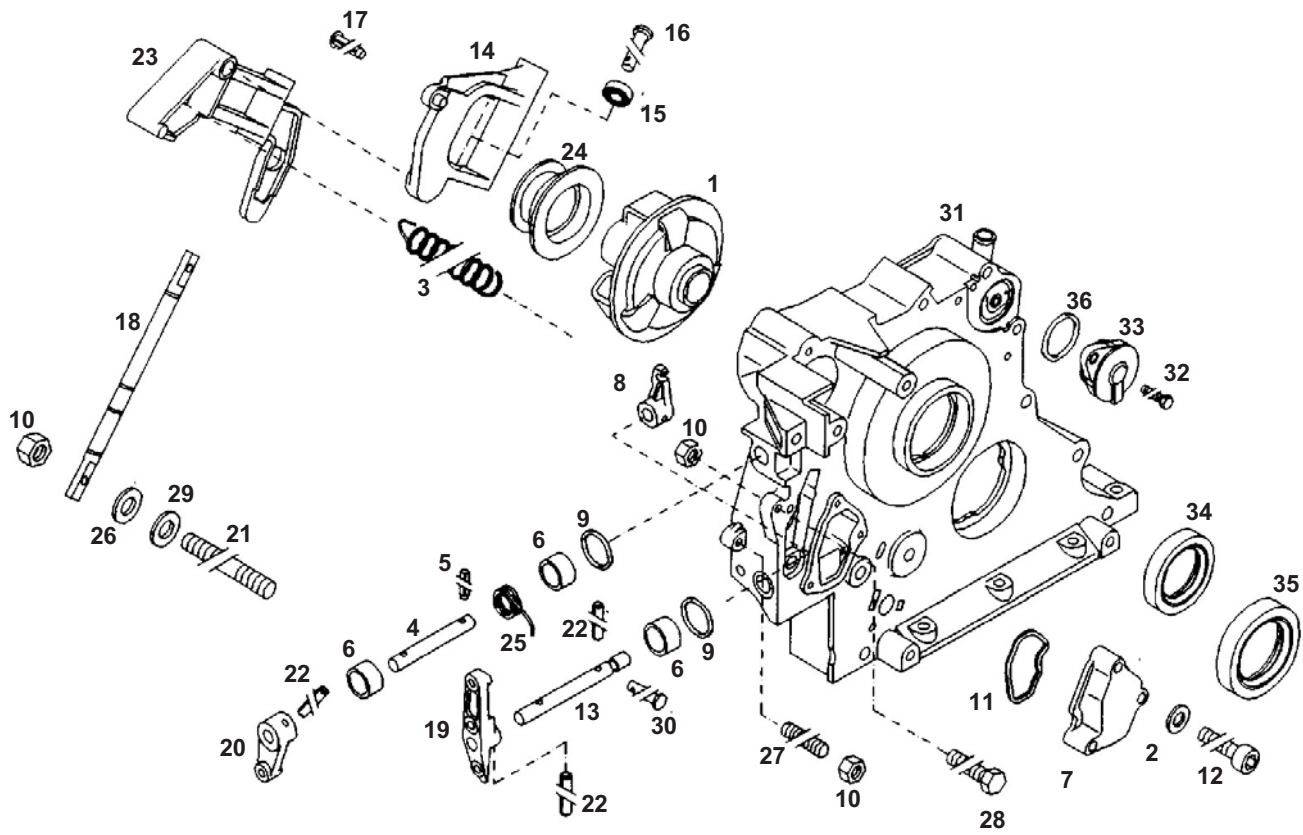
5063370

Ref No.	Part No.	Description	Quantity
1	133377	CLAW	1
2	133175	STUD	1
3	133507	SCREW/ADJUSTING	1
4	133506	STOP/LIMIT	1
5	133384	SPRING/COMPRESSION	1
6	133386	SCREW/SETTING	1
7	133171	SCREW/SET	1
8	133334	NUT/HEX	1
9	133188	O-RING 7 X 1.5MM	1
10	133114	CIRCLIP	1
11	133182	O-RING 16 X 2MM	1
12	135497	NUT/HEX 68MM	1
13	135495	NUT/HEX 5-8MM	1
14	133226	RING/SEALING 9 X 1MM	1



5051611

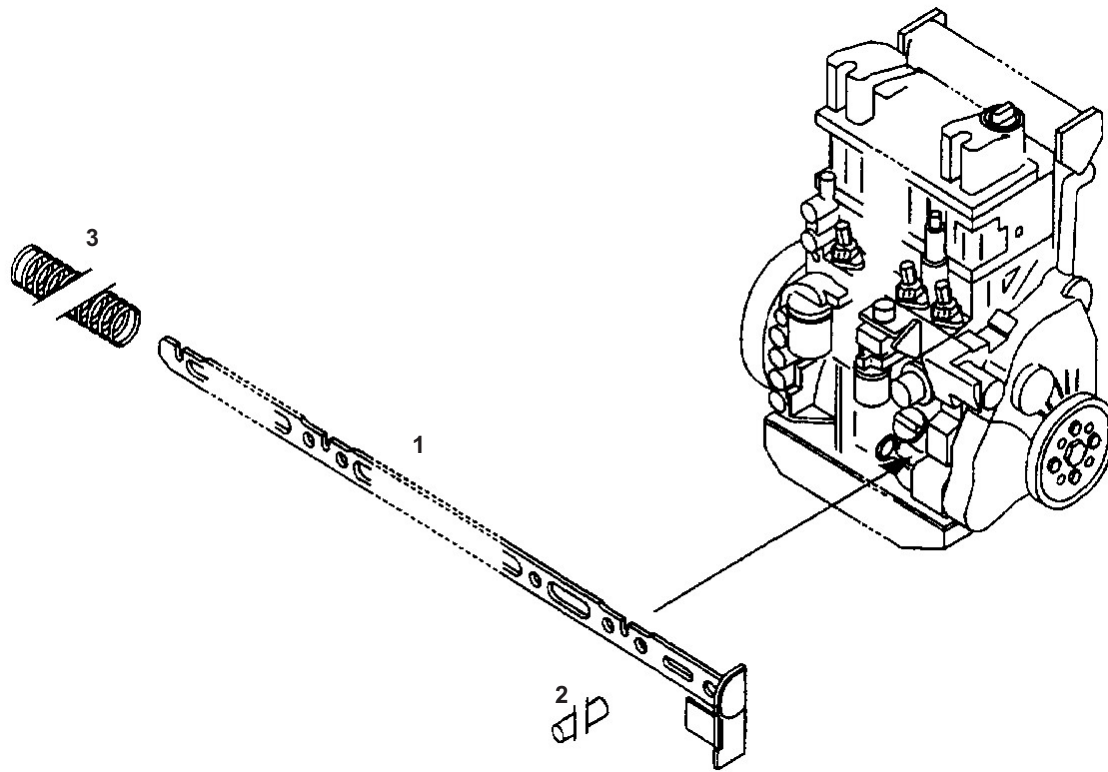
Ref No.	Part No.	Description	Quantity
1	133149	PLUG/SCREW 18 X 1.5MM	1
2	133144	PLUG/SCREW 10 X 1MM	1
3	133132	RING/SEALING 10 X 16MM	1
4	133137	RING/SEALING 18 X 24MM	1



5069014

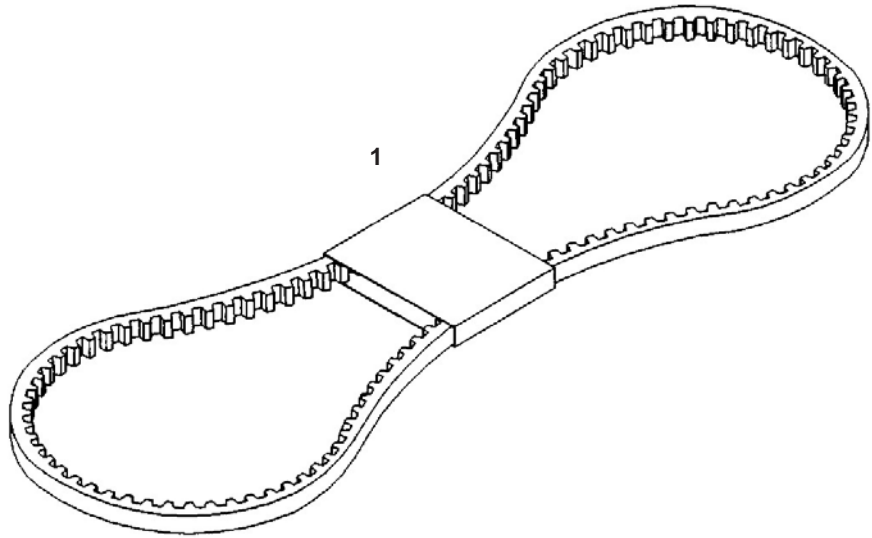
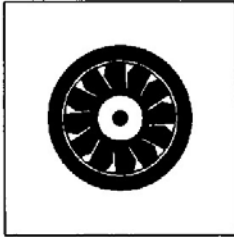


Ref No.	Part No.	Description	Quantity
1	133505	UNIT/METERING	1
2	133112	WASHER/PLAIN	3
3	133570	SPRING/TENSION	1
4	133382	SHAFT/LEVER	1
5	133128	PIN/NOTCHED	1
6	133393	SLEEVE	3
7	133435	COVER	1
8	133395	LEVER/ARM	1
9	133247	O-SEAL 10 X 3MM	2
10	135496	NUT/HEX 6-8MM	4
11	133431	WASHER/PROFILE	1
12	133241	SCREW/SOCKET HEAD 6 X 35MM CLASS 8.8	3
13	133385	SHAFT/LEVER	1
14	133412	LEVER/ROLLER (INCLUDING ITEMS 15-17)	1
15	133152	BEARING/BALL	2
16	133246	PIN/CLEVIS	2
17	133129	NAIL/NOTCHED	1
18	133406	AXLE	1
19	133464	LEVER/ARM	1
20	133328	LEVER/SHUT-OFF	1
21	133179	STUD	2
22	133130	PIN/STRAIGHT	3
23	133484	LEVER/ARM	1
24	133497	SLEEVE	1
25	133383	SPRING/TORSION	1
26	133351	WASHER/PLAIN	AR
27	133174	SCREW/SET	1
28	133121	BOLT/HEX 6 X 25MM CLASS 8.8	1
29	133262	WASHER/PLAIN	AR
30	133160	PIN/CLEVIS	1
31	133425	COVER/FRONT	1
32	133163	BOLT/HEX 6 X 25MM CLASS 8.8	1
33	133426	VALVE/BREATHING (INCLUDES ITEM 36)	1
34	133389	SEAL/ROTATOR SHAFT LIP	1
35	133388	SEAL/ROTATOR SHAFT LIP	1
36	133250	O-SEAL 45 X 4MM	1



5067616

Ref No.	Part No.	Description	Quantity
1	133578	ROD/CONTROL	1
2	133396	PIN/LOCATING	1
3	133360	SPRING/COMPRESSION	1

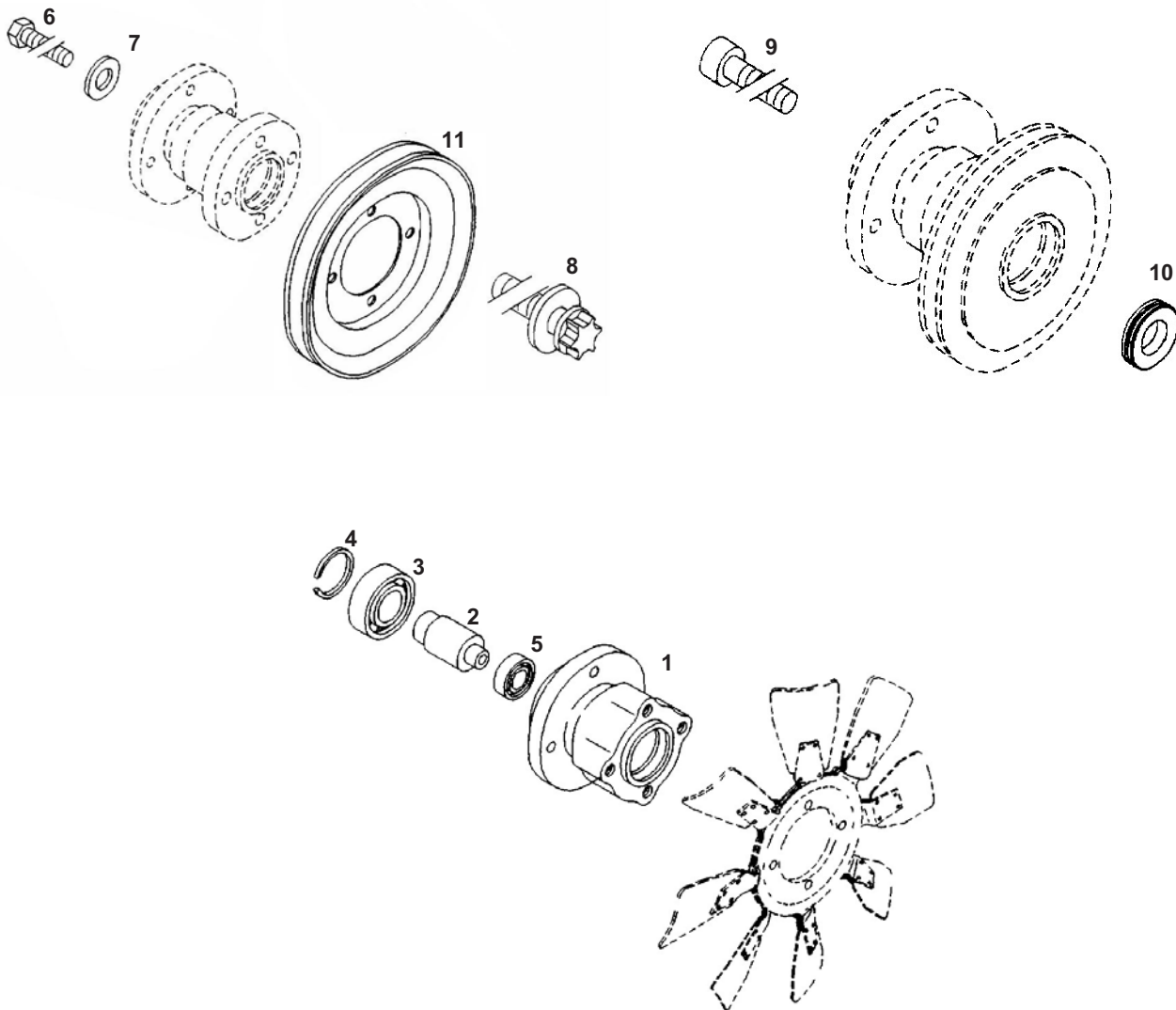


5069139

Ref No.	Part No.	Description	Quantity
1	132989 <sub>a</sub>	V-BELT/NARROW (1050MM)	1
	132301 <sub>b</sub>	V-BELT/NARROW (1075MM)	1

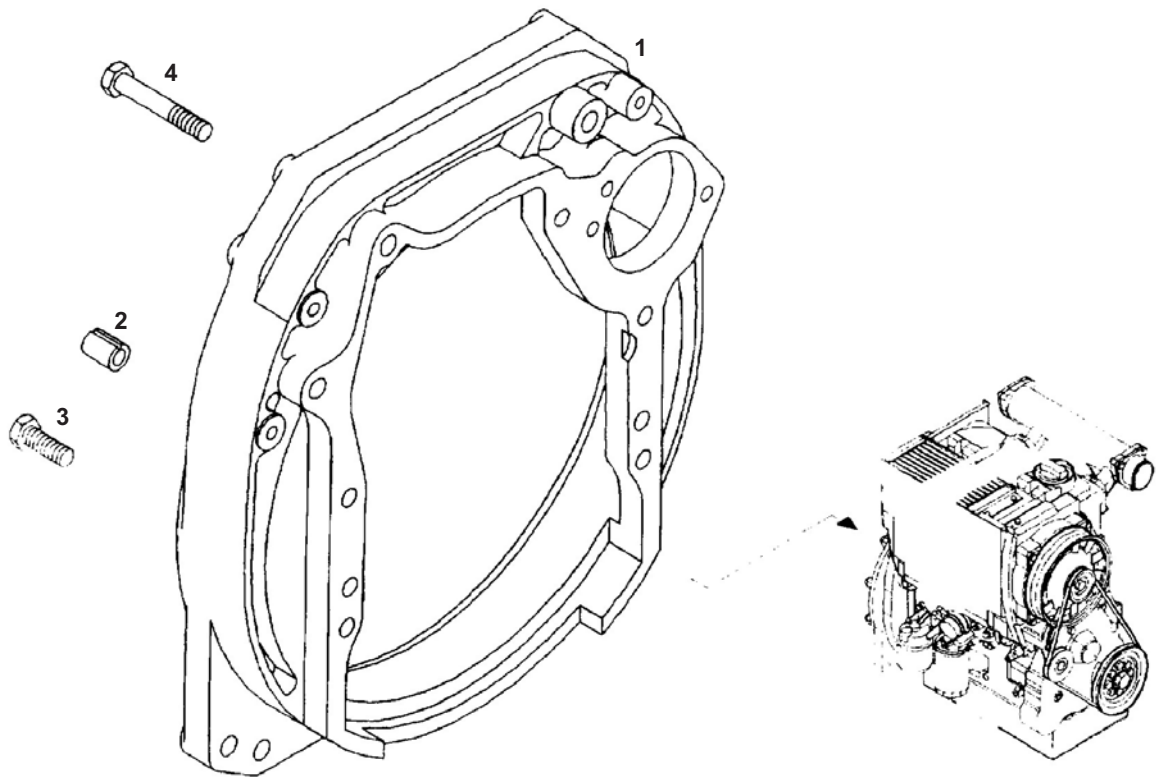
a) Engine serial number 0196377 and later.

b) Before engine serial number 0196377.



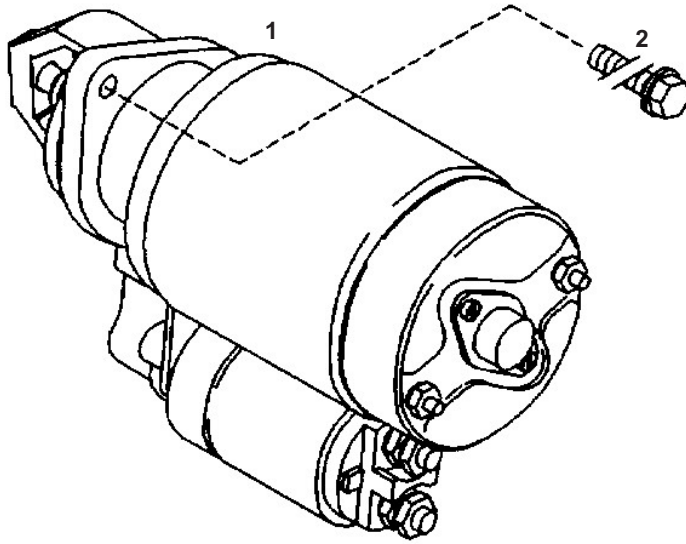
5069142  
 5067772  
 5068264  
 5068281  
 5067768

Ref No.	Part No.	Description	Quantity
1	135538	SUPPORT/FAN (INCLUDES ITEMS 2-5)	1
2	133502	SHAFT	1
3	133156	BEARING/BALL	1
4	133187	CIRCLIP	1
5	133255	BEARING/BALL	1
6	135493	BOLT/HEX 8 X 20MM CLASS 10.9	4
7	133173	WASHER/PLAIN	4
8	133233	BOLT/TORX HEAD 8 X 16MM CLASS 8.8	4
9	133177	SCREW/SOCKET HEAD 10 X 110MM CLASS 12.9	1
10	133183	WASHER/PLAIN	1
11	133365	PULLEY/V-GROOVED	1



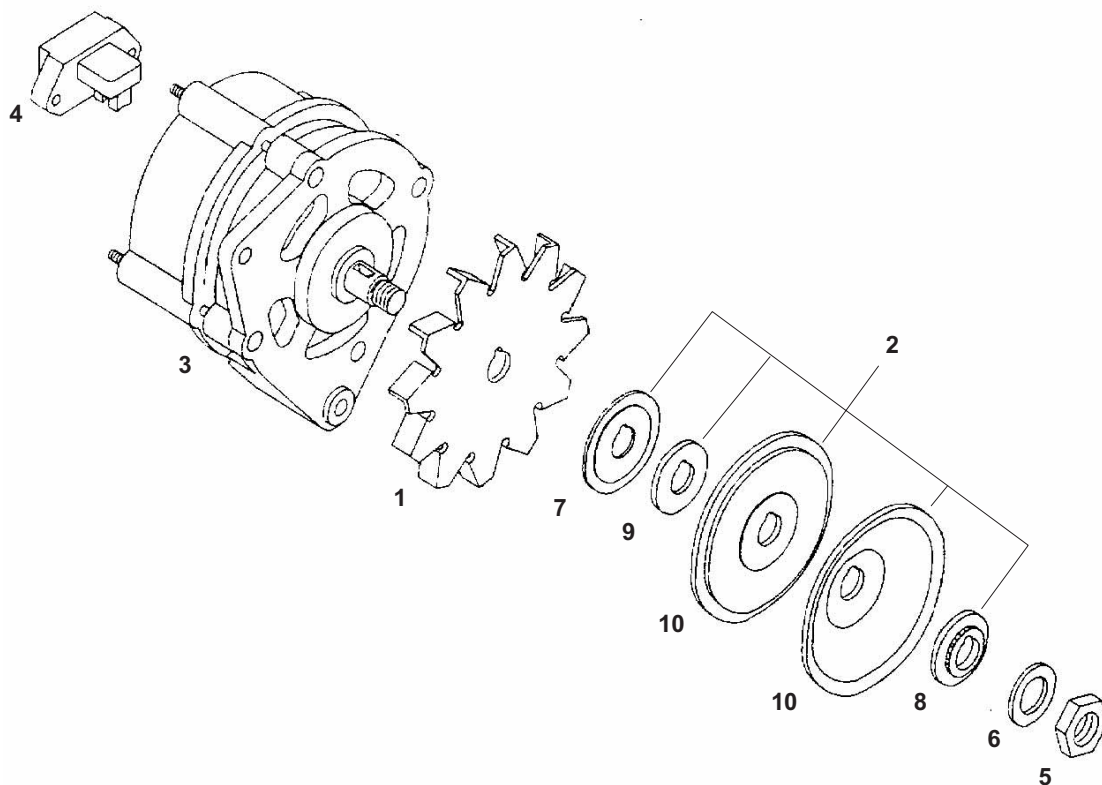
5051339

Ref No.	Part No.	Description	Quantity
1	133376	HOUSING/ADAPTER	1
2	133329	BUSHING/CLAMPING	2
3	133110	BOLT/HEX 12 X 35MM CLASS 10.9	5
4	133118	BOLT/HEX 12 X 75MM CLASS 10.9	3



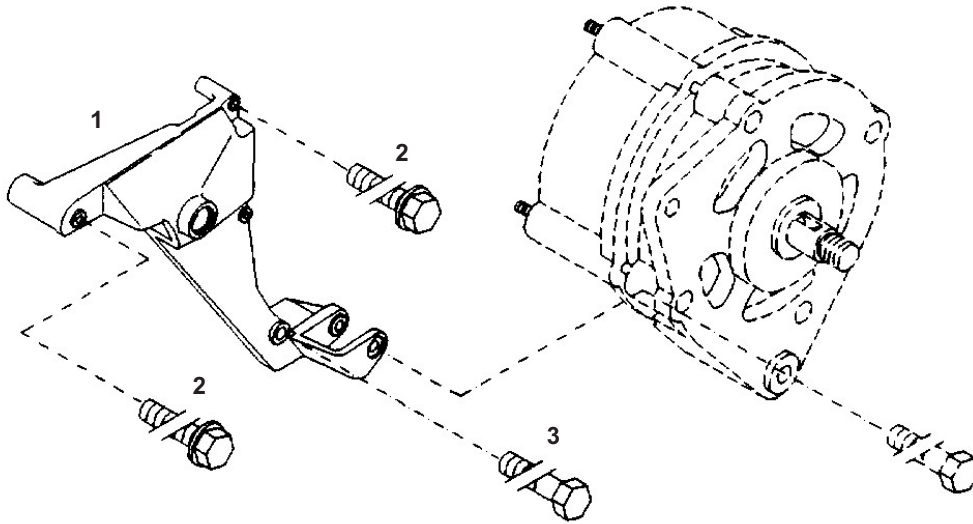
5074011

Ref No.	Part No.	Description	Quantity
1	133557	STARTER 2.3KW	1
2	133239	BOLT/HEX 10 X 25MM CLASS 10.9	2



5068234

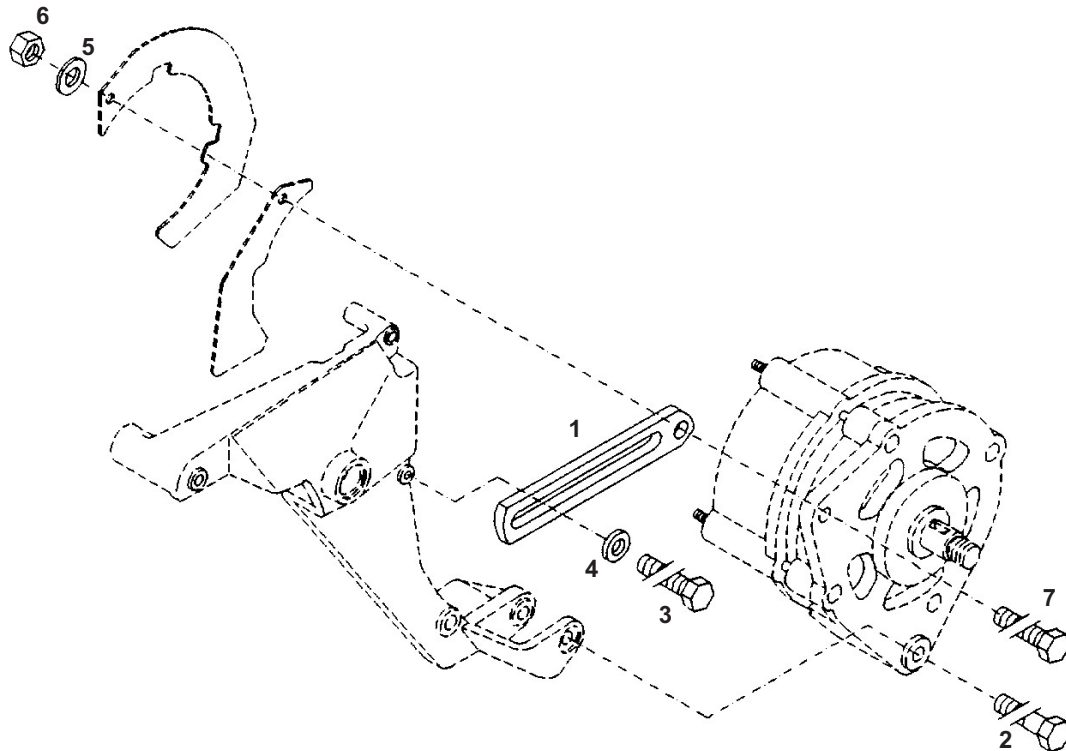
Ref No.	Part No.	Description	Quantity
1	133184	FAN	1
2	133208	PULLEY/V-GROOVED (INCLUDES ITEMS 7-10)	1
3	132300	ALTERNATOR (INCLUDES ITEMS 4-6)	1
4	133206	REGULATOR/VOLTAGE	1
5	133148	NUT/HEX 16 X 1.5MM	1
6	133111	WASHER/SPRING	1
7	133207	RING/SUPPORTING	1
8	133210	WASHER	1
9	133209	WASHER	1
10	133211	PULLEY/BELT	1



5068293

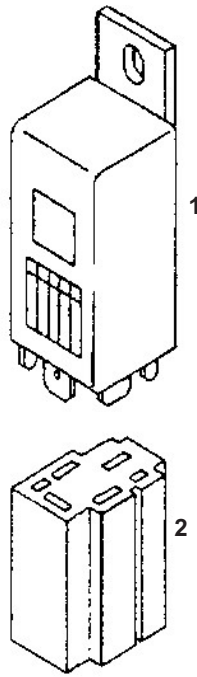
Ref No.	Part No.	Description	Quantity
1	133474	BRACKET	1
2	133252	BOLT/HEX 8 X 75MM CLASS 10.9	2
3	133169	BOLT/HEX 10 X 80MM CLASS 10.9	1





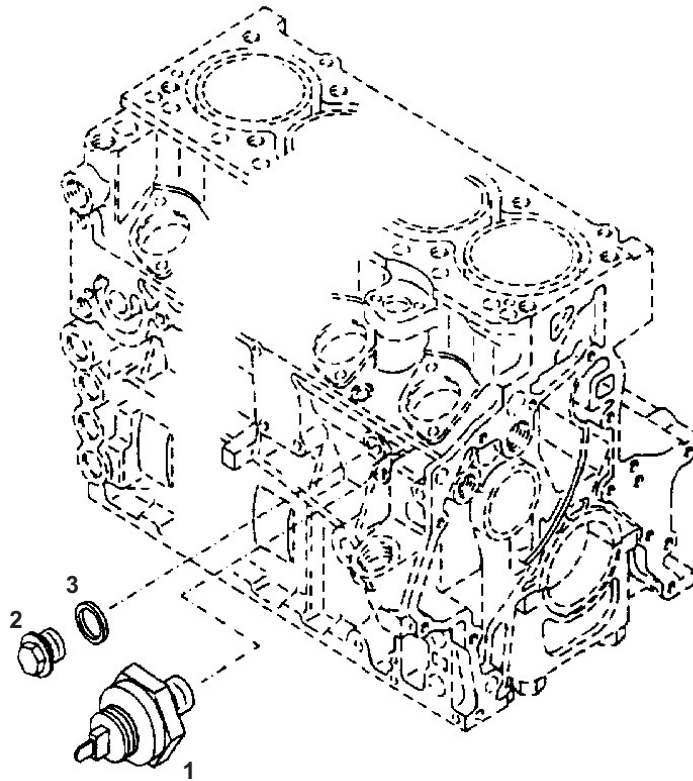
5069036

Ref No.	Part No.	Description	Quantity
1	133336	STRAP/CLAMPING	1
2	133117	BOLT/HEX 8 X 75MM CLASS 10.9	1
3	133122	BOLT/HEX 8 X 25MM CLASS 8.8	1
4	133260	WASHER/PLAIN	1
5	133173	WASHER/PLAIN	1
6	133150	NUT/HEX 8-8MM	1
7	133123	BOLT/HEX 8 X 30MM CLASS 8.8	1



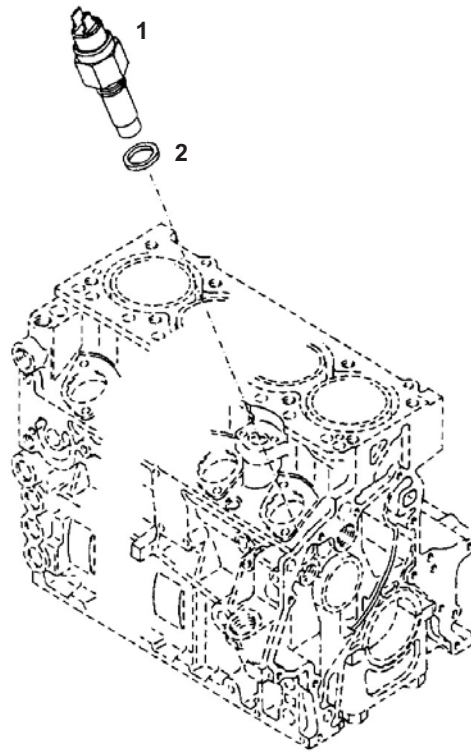
5068253  
5068249

Ref No.	Part No.	Description	Quantity
1	132063	UNIT/GLOW TIME CONTROL	1
2	133483	PLUG/CONTROL UNIT	1



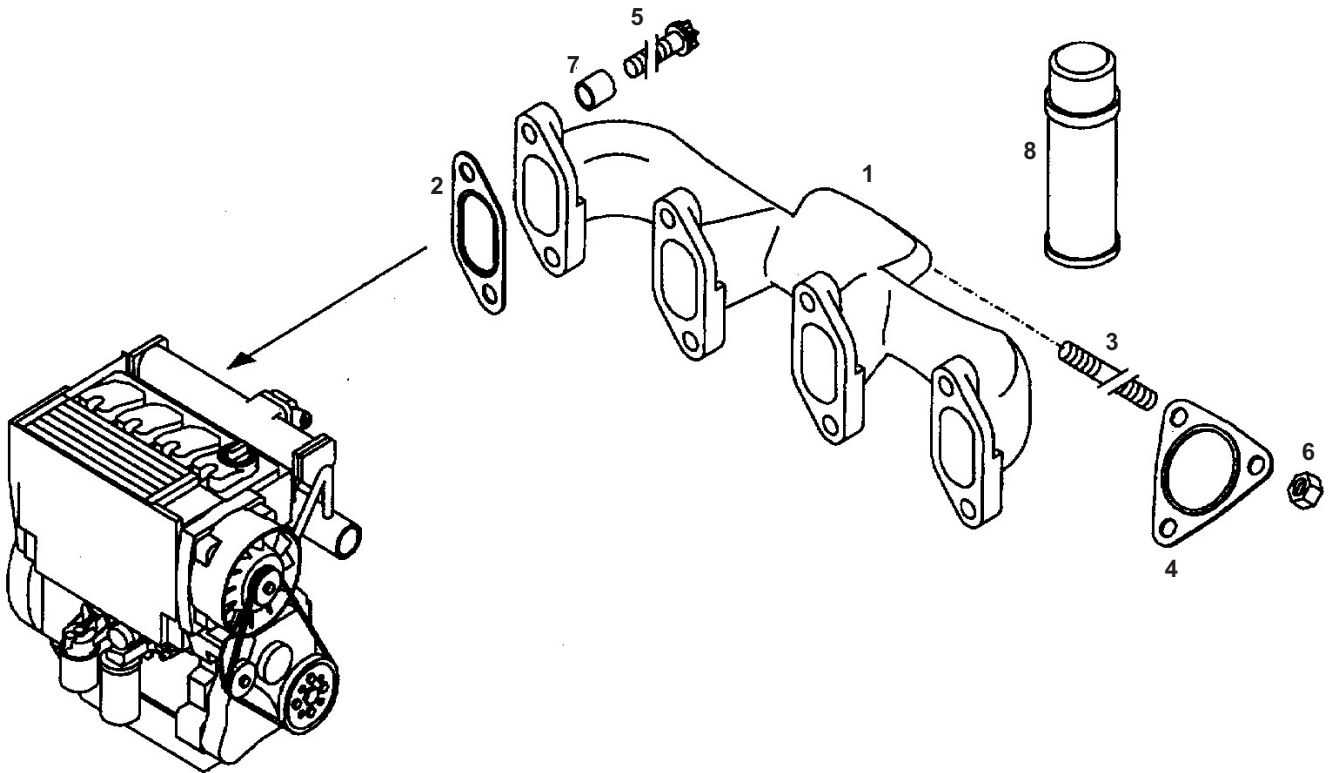
5067636

Ref No.	Part No.	Description	Quantity
1	133256	SWITCH/OIL PRESSURE	1
2	133140	PLUG/SCREW 18 X 1.5MM	1
3	133137	RING/SEALING 18 X 24MM	1



5067637

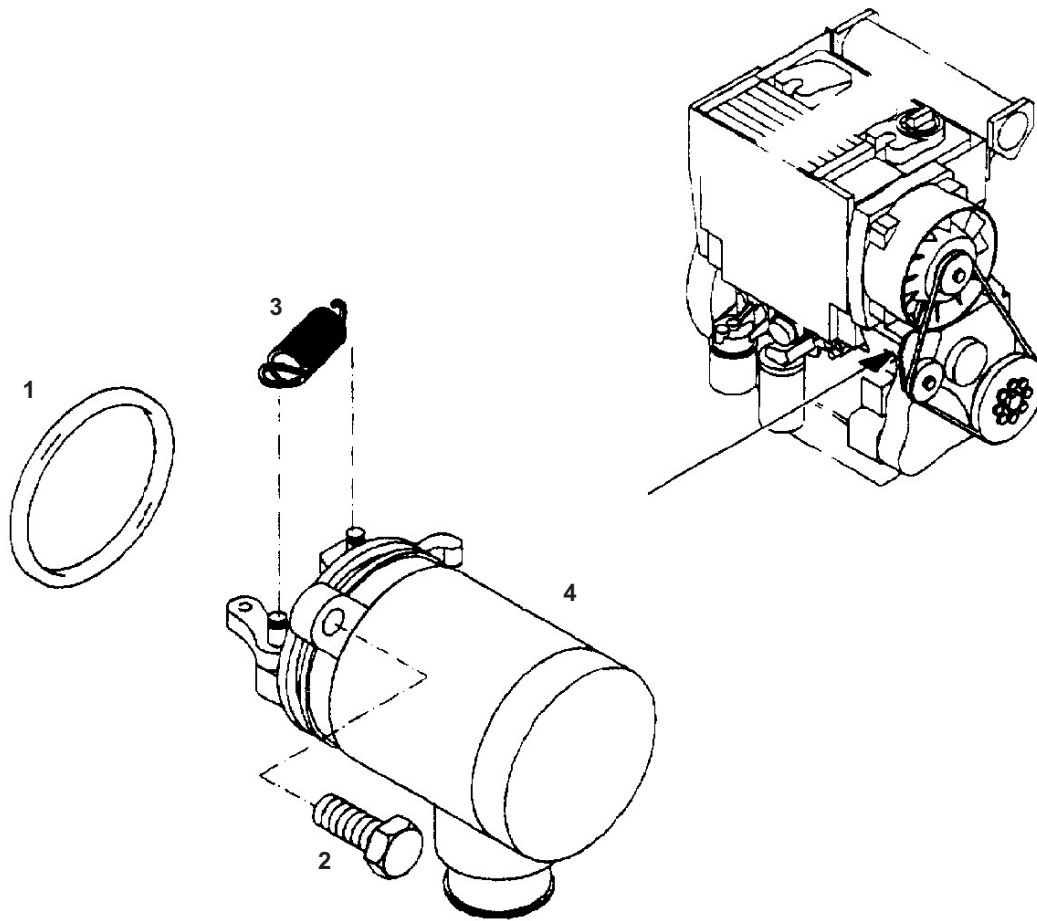
Ref No.	Part No.	Description	Quantity
1	133225	TRANSMITTER/TEMPERATURE (INCLUDES ITEM 2)	1
2	133161	RING/SEALING 14 X 18MM	1



5067772

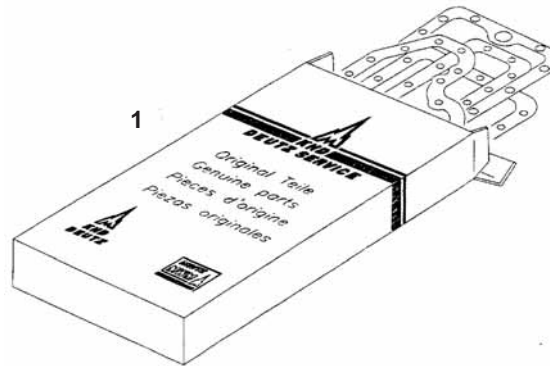
Ref No.	Part No.	Description	Turbo
1	133597a	MANIFOLD/EXHAUST	1
2	133372	GASKET	4
3	133181	STUD	3
4	133374	GASKET	1
5	133534	BOLT/TORX HEAD 10 X 45MM	8
6	133154	NUT/HEX 8-24MM	3
7	133261	BUSHING	1
8	133108	COMPOUND/FITTING	AR

a) Order with (8) 133534



5051617

Ref No.	Part No.	Description	Quantity
1	133185	O-SEAL 44 X 3.15MM	1
2	133162	BOLT/HEX 6 X 20MM CLASS 8.8	2
3	133394	SPRING/TENSION	1
4	133499	DEVICE/SHUTDOWN (INCLUDES ITEM 3)	1



5068247  
5068248

Ref No.	Part No.	Description	Quantity
1	133346	GASKET SET - CONTAINS THE FOLLOWING:	1
	133132	RING/SEALING 10 X 16MM	
	133133	RING/SEALING 12 X 15.5MM	
	133136	RING/SEALING 18 X 20MM	
	133137	RING/SEALING 18 X 24MM	
	133139	RING/SEALING 24X29MM	
	133153	O-RING 14X2.5MM	
	133161	RING/SEALING 14X18MM	
	133182	O-RING 16X2MM	
	133185	O-SEAL	
	133188	O-RING 7X1.5MM	
	135499	O-SEAL	
	133218	O-RING 30X3MM	
	133226	RING/SEALING 9X1MM	
	133245	RING/SEALING 21.8X1.5MM	
	133247	O-SEAL	
	133250	O-SEAL	
	133387	SEAL/SHAFT LIFT	
	133388	SEAL/LIP ROTATING SHAFT	
	133389	SEAL/LIP ROTATING SHAFT	
	133431	WASHER/PROFILE	
	133440	RING/SEALING	
	133186	O-SEAL	
	133134	RING/SEALING 14X20MM	
	133135	RING/SEALING 16X20MM	
	133259	O-RING 12X3MM	
	133170	RING/SEALING 12X18MM	
	133553	GASKET	
	133345	GASKET SET/SUPPLEMENTARY - CONTAINS THE FOLLOWING:	1
	133138	RING/SEALING 22X27MM	
	133364	GASKET	
	133372	GASKET	
	133374	GASKET	
	133391	RING/SEALING	
	133463	GASKET	
	133472	GASKET	
	133352	SEAL/VALVE_STEM	

Part No.	Page No.	Ref. No.	Part No.	Page No.	Ref. No.	Part No.	Page No.	Ref. No.	Part No.	Page No.	Ref. No.
132023	24	1	133142	23	2	133202	4	2	133263	36	6
132024	32	1	133143	6	5	133203	6	3	133264	36	6
132063	55	1	133144	18	5	133204	1	2	133265	36	6
132300	52	3	133144	44	2	133206	52	4	133266	36	6
132301	48	1	133146	41	3	133207	52	7	133267	36	6
132989	48	1	133147	40	8	133208	52	2	133268	36	6
133100	1	4	133148	52	5	133209	52	9	133269	36	6
133103	18	8	133149	44	1	133210	52	8	133271	36	6
133103	26	3	133150	54	6	133211	52	10	133272	36	6
133104	6	8	133151	6	6	133212	3	3	133273	36	6
133105	25	2	133152	46	15	133212	4	3	133274	36	6
133106	16	11	133153	28	6	133214	40	4	133275	36	6
133107	5	24	133154	58	6	133215	42	1	133276	36	6
133108	58	8	133155	6	2	133216	20	4	133277	36	6
133109	29	3	133156	49	3	133218	34	2	133278	36	6
133110	50	3	133158	19	2	133225	57	1	133279	36	6
133111	52	6	133159	13	3	133226	43	14	133280	36	6
133112	46	2	133160	46	30	133230	9	2	133281	36	6
133113	21	1	133161	57	2	133231	18	3	133282	36	6
133114	43	10	133162	59	2	133232	28	5	133283	36	6
133116	31	1	133163	17	4	133233	6	7	133284	36	6
133117	54	2	133163	46	32	133233	49	8	133285	36	6
133118	50	4	133164	17	3	133234	2	4	133286	36	6
133119	17	9	133165	30	2	133234	34	3	133287	36	6
133120	10	2	133166	5	13	133235	26	2	133288	36	6
133121	46	28	133167	17	10	133236	40	5	133289	36	6
133122	54	3	133168	40	6	133237	23	4	133290	36	6
133123	54	7	133169	53	3	133238	32	3	133291	36	6
133125	2	9	133170	38	3	133239	51	2	133292	36	6
133125	23	3	133171	43	7	133240	5	14	133293	36	7
133126	33	3	133172	10	3	133241	46	12	133294	36	8
133128	46	5	133173	49	7	133242	18	2	133295	36	9
133129	46	17	133173	54	5	133243	38	5	133296	36	10
133130	46	22	133174	46	27	133244	37	5	133297	36	6
133131	40	9	133175	43	2	133245	30	3	133298	41	8
133132	18	6	133176	29	9	133246	46	16	133299	41	9
133132	31	2	133177	49	9	133247	46	9	133308	38	4
133132	44	3	133179	46	21	133249	5	21	133310	37	2
133133	27	3	133180	41	2	133250	17	6	133316	5	4
133134	2	5	133181	58	3	133250	46	36	133318	12	3
133135	28	3	133182	43	11	133252	53	2	133321	16	8
133136	29	10	133183	49	10	133253	2	8	133322	16	9
133137	6	4	133184	52	1	133254	36	3	133323	5	16
133137	44	4	133185	59	1	133255	49	5	133324	18	4
133137	56	3	133186	2	2	133256	56	1	133325	7	1
133138	40	7	133187	49	4	133257	2	1	133326	25	1
133138	42	2	133188	43	9	133258	4	5	133327	16	2
133139	29	4	133190	41	7	133259	28	7	133328	46	20
133140	56	2	133200	41	6	133260	54	4	133329	50	2
133141	27	2	133201	40	2	133261	58	7	133330	22	1
133141	38	2	133202	3	2	133262	46	29	133332	21	2



Part No.	Page No.	Ref. No.	Part No.	Page No.	Ref. No.	Part No.	Page No.	Ref. No.	Part No.	Page No.	Ref. No.
133333	21	3	133395	46	8	133461	39	1	133539	5	9
133334	21	4	133396	47	2	133462	34	1	133540	5	10
133334	43	8	133397	36	5	133463	40	3	133541	5	12
133335	11	3	133398	36	1	133464	46	19	133542	5	15
133336	54	1	133399	36	2	133465	30	1	133543	5	23
133337	33	4	133402	22	2	133467	20	2	133548	16	4
133338	8	3	133403	16	3	133472	17	2	133551	28	4
133339	8	3	133404	5	3	133473	5	18	133552	3	1
133345	60	1	133405	5	2	133474	53	1	133553	3	4
133346	60	1	133406	46	18	133476	5	22	133554	3	6
133347	18	7	133407	26	1	133478	28	2	133557	51	1
133348	6	1	133408	5	11	133479	34	4	133564	16	1
133350	5	17	133409	29	7	133482	3	5	133565	17	1
133351	46	26	133410	29	8	133482	4	4	133566	17	2
133352	16	6	133411	5	19	133483	55	2	133570	46	3
133353	16	10	133412	46	14	133484	46	23	133574	15	3
133356	16	3	133414	29	1	133485	40	1	133575	15	4
133357	12	4	133415	29	2	133486	8	1	133576	15	5
133358	12	4	133416	29	6	133487	8	2	133577	41	5
133359	16	4	133417	5	20	133488	8	2	133578	47	1
133360	47	3	133418	33	5	133489	8	2	133579	37	1
133362	16	5	133419	33	5	133490	8	4	133581	37	3
133363	10	1	133420	33	5	133490	12	5	133582	37	4
133364	41	4	133421	33	5	133491	8	4	133583	37	6
133365	49	11	133422	33	5	133491	12	5	133597	58	1
133367	19	1	133423	33	5	133492	8	4	135492	20	5
133368	9	1	133424	33	5	133492	12	5	135493	49	6
133369	13	2	133425	46	31	133494	2	6	135495	43	13
133370	7	2	133426	17	5	133495	28	1	135496	46	10
133370	36	6	133426	46	33	133496	41	1	135497	43	12
133372	58	2	133427	15	2	133497	46	24	135501	21	5
133374	58	4	133428	23	5	133498	27	1	135534	20	3
133375	21	6	133429	32	2	133499	59	4	135535	15	1
133376	50	1	133430	5	5	133500	2	3	135538	49	1
133377	43	1	133431	46	11	133501	2	7	135545	20	1
133378	18	1	133435	46	7	133502	49	2			
133380	16	2	133437	5	1	133503	13	4			
133381	7	3	133438	33	6	133504	13	1			
133382	46	4	133439	23	1	133505	46	1			
133383	46	25	133440	23	6	133506	43	4			
133384	43	5	133441	12	2	133507	43	3			
133385	46	13	133443	12	1	133508	17	1			
133386	43	6	133444	14	1	133509	17	7			
133387	1	3	133445	11	2	133510	17	8			
133388	46	35	133446	11	1	133511	4	1			
133389	46	34	133450	38	1	133515	8	5			
133390	1	1	133451	29	5	133517	9	1			
133391	36	4	133452	19	3	133534	58	5			
133392	33	2	133454	33	1	133536	5	6			
133393	46	6	133456	16	7	133537	5	7			
133394	59	3	133458	16	1	133538	5	8			

# NOTES



# GEHL®

**Gehl Company** 143 Water Street, P.O. Box 179, West Bend, WI 53095-0179 U.S.A.

CALIFORNIA

Proposition 65 Warning

Diesel engine exhaust and some of its constituents are known to the State of California to cause cancer, birth defects and other reproductive harm.