

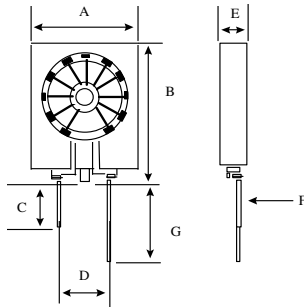
Spezifikation für Freigabe / specification for release

Kunde / customer :
 Artikelnummer / part number : **74279402**
 Bezeichnung : **Entstördrossel WE-ZB**
 description : **Line Choke WE-ZB**



DATUM / DATE : 2006-10-26

A Mechanische Abmessungen / dimensions:



A	8,0 max.	mm
B	9,5 max.	mm
C	15,5 ± 1,0	mm
D	5,0 ± 0,5	mm
E	3,5 max.	mm
F	ø 0,6 typ.	mm
G	19,5 ± 1,0	mm

B Elektrische Eigenschaften / electrical properties:

Eigenschaften / properties	Testbedingungen / test conditions		Wert / value	Einheit / unit	tol.
Induktivität / inductance	1 kHz / 70mA	L	10,0	μH	±50%
Impedanz / impedance	100 MHz	Z	600	Ω	typ.
DC-Widerstand / DC-resistance		R _{DC}	25	mΩ	max.
max. Strom / max. current		I _{DC}	500	mA	max.
Nennspannung / rated voltage		U	50	V	max.

C Lötpad / soldering spec.:

D Prüfgeräte / test equipment:

WK 3260B + 3265B für/for L
HP 34401 A für/for R_{DC}
HP 34401 A für/for I_{DC}
HP 4396 B für/for Z

E Testbedingungen / test conditions:

Luftfeuchtigkeit / humidity: 33%
 Umgebungstemperatur / temperature: +20 °C

F Werkstoffe & Zulassungen / material & approvals:

Basismaterial / base material: Ferrit / ferrite
 Draht / wire: 2 UEWF 155 °C

G Eigenschaften / general specifications:

Lagertemperatur / storage temperature: -40 °C - + 125 °C
 Betriebstemp. / operating temperature: -40 °C - +85 °C

Freigabe erteilt / general release:	Kunde / customer		
 Datum / date Unterschrift / signature	
Geprüft / checked	Würth Elektronik		
	
	Kontrolliert / approved	Name	Änderung / modification
		MST	Version 2
		MST	Version 1
			Datum / date

Würth Elektronik eiSos GmbH & Co.KG

D-74638 Waldenburg · Max-Eyth-Strasse 1 - 3 · Germany · Telefon (+49) (0) 7942 - 945 - 0 · Telefax (+49) (0) 7942 - 945 - 400
<http://www.we-online.com>

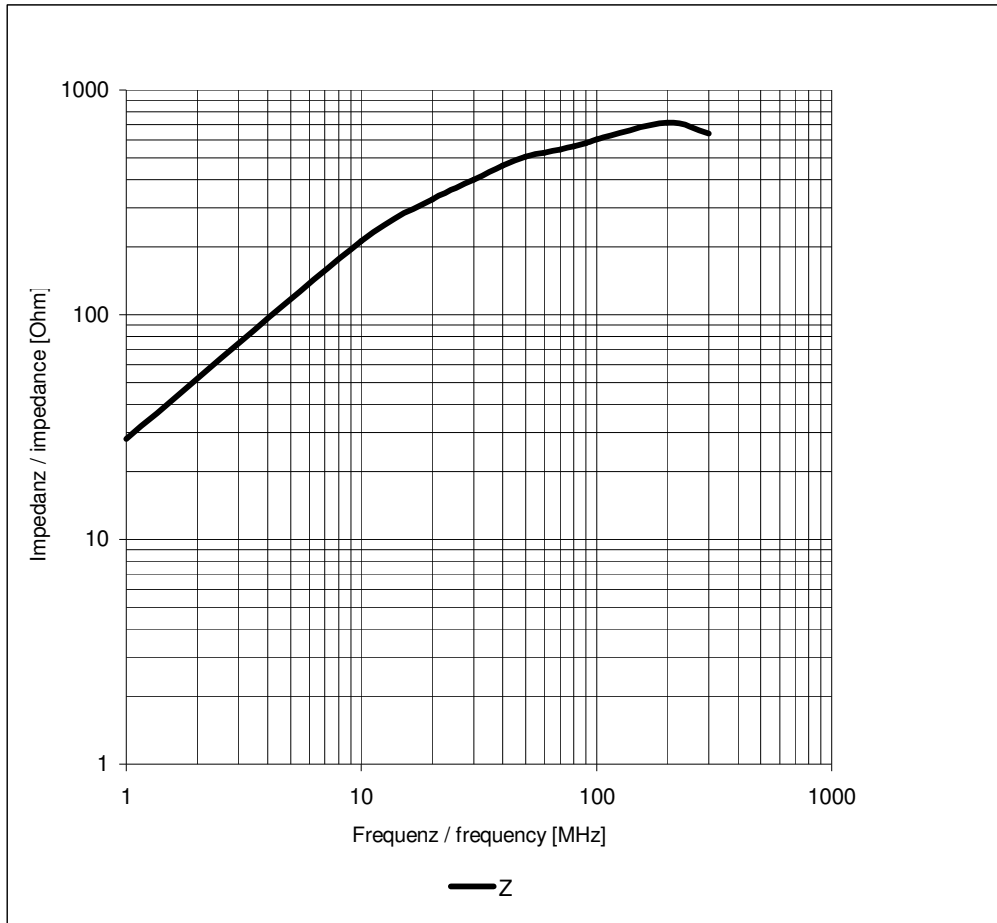
Spezifikation für Freigabe / specification for release

Kunde / customer :
 Artikelnummer / part number : **74279402**
 Bezeichnung : **Entstördrossel WE-ZB**
 description : **Line Choke WE-ZB**



DATUM / DATE : 2006-10-26

H Impedanzverlauf / impedance curve:



Freigabe erteilt / general release:	Kunde / customer			
.....			
Datum / date	Unterschrift / signature			
	Würth Elektronik			
.....	MST	Version 2	
Geprüft / checked	Kontrolliert / approved	MST	Version 1	04-12-21
		Name	Änderung / modification	Datum / date

This electronic component has been designed and developed for usage in general electronic equipment. Before incorporating this component into any equipment where higher safety and reliability is especially required or if there is the possibility of direct damage or injury to human body, for example in the range of aerospace, aviation, nuclear control, submarine, transportation, (automotive control, train control, ship control), transportation signal, disaster prevention, medical, public information network etc, Würth Elektronik eiSos GmbH must be informed before the design-in stage. In addition, sufficient reliability evaluation checks for safety must be performed on every electronic component which is used in electrical circuits that require high safety and reliability functions or performance.

Würth Elektronik eiSos GmbH & Co.KG

D-74638 Waldenburg · Max-Eyth-Strasse 1 - 3 · Germany · Telefon (+49) (0) 7942 - 945 - 0 · Telefax (+49) (0) 7942 - 945 - 400
<http://www.we-online.com>