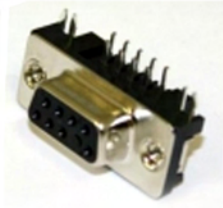
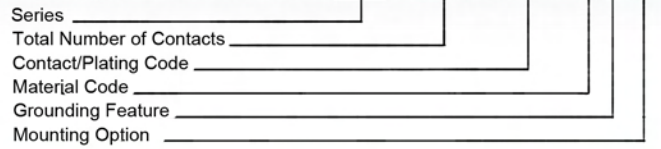




SERIES 623/624



Example Part Number 624 - 025 - 261 - 0 3 3



Series	
623	(9-pin only) Plug
624	Receptacle

Total Contacts	
009, 015, 025	

Contact/Plating Code	
261	Gold Flash (Class 3)
361	15u" (0.38um) (Class 2)
661	30u" (0.76um) (Class 1)

Material Code	
0	Indicates generic internal use code

Grounding Feature	
3	Two-prong boardlocks for .120" (3.055mm) dia. hole

Mounting Option	
1	.125" (3.18mm) dia. through-hole
2	#4-40 UNC threaded insert
3	#4-40 UNC hex standoff

FEATURES

Two contact rows with .200" (5.08mm) footprint right-angle bend.

.109" (2.77mm) contact spacing x .112" (2.82mm) row spacing

Pin and socket contact mating design with PC tail termination

Metal shell provides EMI/RFI shielding, Plug Shell indents provide grounding and additional mating retention

Grounding features include two-prong boardlock for exceptional retention to PC Board

Mounting options for panel mount or connector mating include through hole, threaded inserts and threaded standoffs

D-shaped connector mating outline provides polarization
Design based on requirements of MIL-C-24308, EIA RS-232 and RS-449

SPECIFICATIONS

Insulator Material: Thermoplastic polyester UL 94V-0; chemical resistant; colour - black

Contact Material: Plug contacts- brass
Receptacle contacts - phosphor bronze

Contact Plating: Gold (see Ordering Code) over nickel for the mating area; tin plating on contact tails

Shell Material: Nickel-plated steel

Current Rating: 5 amperes

Contact Resistance: 10 milliohms maximum

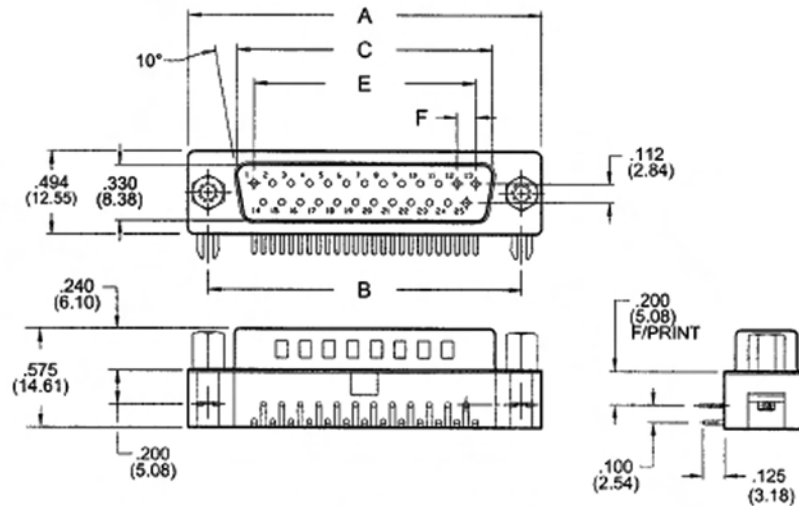
Dielectric Withstanding Voltage: 1000 V AC rms @ sea level

Insulation Resistance: 5000 megohm minimum

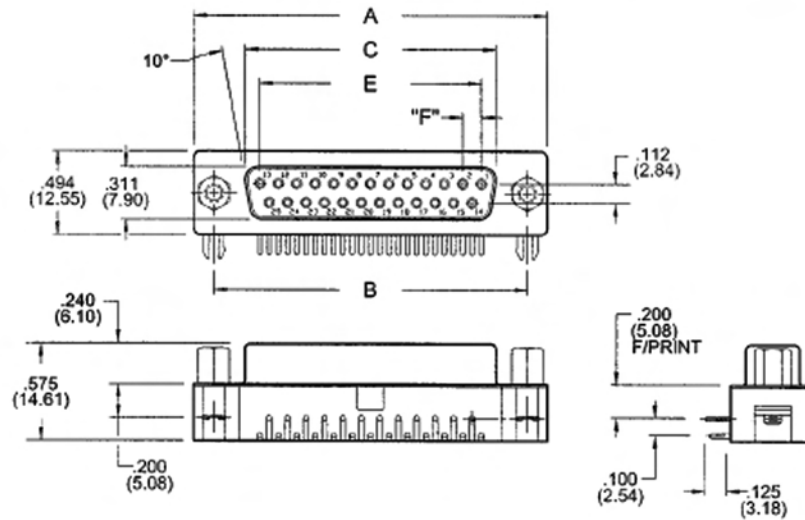
Operating Temperature: -55 to + 105 degrees C

Engagement and Separation Force: 1 to 10 oz (0.28 to 2.78 N) per contact position

PLUG 623 SERIES



RECEPTACLE 624 SERIES



NUMBER OF CONTACTS	A		B		C PLUG		C RECEPTACLE		E		F	
	Inch	(mm)	Inch	(mm)	Inch	(mm)	Inch	(mm)	Inch	(mm)	Inch	(mm)
9	1.214	(30.84)	.984	(24.99)	.667	(16.92)	.640	(16.26)	.432	(10.97)	.108	(2.74)
15	1.545	(39.24)	1.312	(33.32)	.994	(25.25)	.967	(24.56)	.756	(19.20)	.108	(2.74)
25	2.088	(53.04)	1.852	(47.04)	1.534	(38.96)	1.508	(38.30)	1.304	(33.12)	.109	(2.76)

Mouser Electronics

Authorized Distributor

Click to View Pricing, Inventory, Delivery & Lifecycle Information:

EDAC:

[623-009-261-032](#) [623-015-261-032](#) [623-025-261-032](#) [624-009-361-032](#) [624-009-361-033](#) [623-009-261-033](#) [623-009-661-032](#) [624-009-261-032](#) [624-009-261-033](#) [624-009-661-032](#) [624-015-261-032](#) [624-015-261-033](#) [624-025-661-032](#) [624-025-661-033](#)