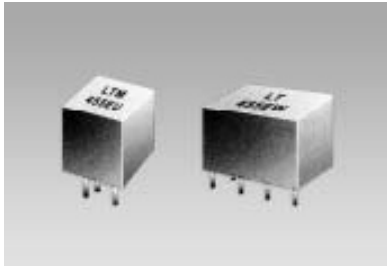


• LT-455/450 □ U/W, LTM-455/450 □ U/W Series



The LT-455<M-455 series ceramic filter is the miniature profile filter for communication use.

FEATURES

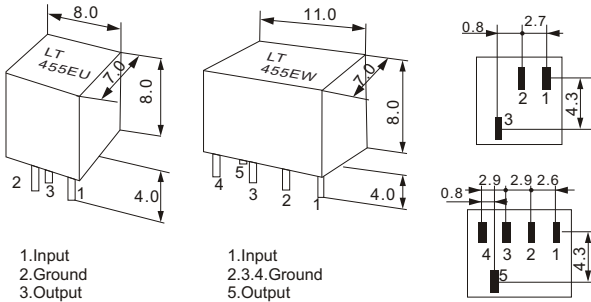
- Low Cost
- Communication Use
- Low Profile
- Excellent Temperature Stability
- High Durability

Electrical Specifications

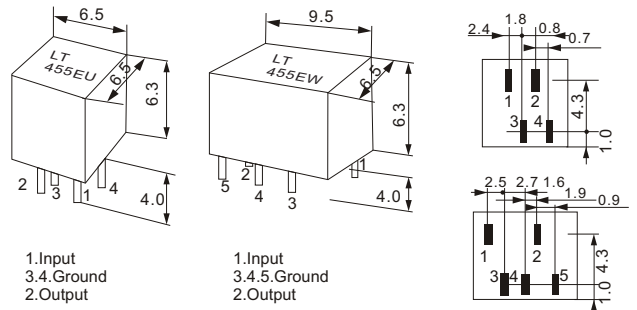
Part Number		Center Frequency (Khz)	Insertion Loss (dB)max	Pass Band Ripple (dB)max	6dB Band Width (KHz)min	40dB Band Width (KHz)max (Lt455□U)	50dB Band Width (KHz)max (Lt455□U)	Stop Band Attenuation fo ± 100KHz (dB)min		Input/Output impedance (Ω)
								Lt455□U	Lt455□W	
LT455BU/W	LTM455BU/W	455±2.0	4	2	± 15	± 30	± 30	28	40	1500
LT455CU/W	LTM455CU/W	455±2.0	4	2	± 12.5	± 24	± 24	28	40	1500
LT455DU/W	LTM455DU/W	455±1.5	4	2	± 10	± 20	± 20	28	40	1500
LT455EU/W	LTM455EU/W	455±1.5	6	2	± 7.5	± 15	± 15	28	40	1500
LT455FU/W	LTM455FU/W	455±1.5	6	2	± 6	± 12.5	± 12.5	28	40	2000
LT455GU/W	LTM455GU/W	455±1.5	6	2	± 4.5	± 10	± 10	28	40	2000
LT455HU/W	LTM455HU/W	455 1.0	6	2	± 3	± 9	± 9	28	40	2000
LT455IU/W	LTM455IU/W	455±1.0	6	2	± 2	± 7.5	± 7.5	28	40	2000
LT455HTU/W	LTM455HTU/W	455±1.0	6	2	± 3	± 9	± 9	35	60	2000

*Center Frequency 450KHz is Also Available

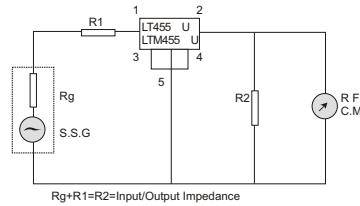
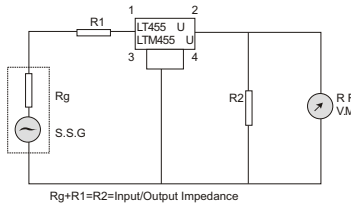
Mechanical Dimensions(mm)



Mechanical Dimensions(mm)



Test Circuit



Characteristics

