

CIRCUIT (SHOWN 8 POS)

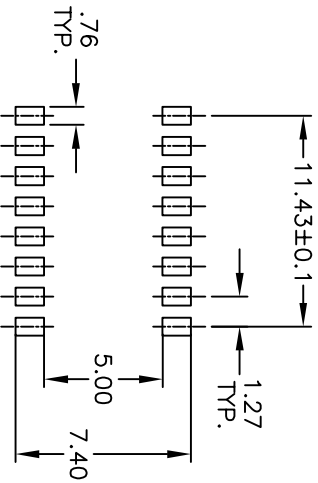
NOTES:

1. ALL DIMENSIONS IN MM
2. GENERAL TOLERANCE: X.X=±0.4
X.XX=±0.25
3. TERM. NOS. FOR REFERENCE ONLY.
4. CONTACT RATINGS: 25ma @24VDC.
5. CONTACT MATERIAL: Copper Alloy w/
gold plate over Nickel Plate.
6. PACKAGED: IN DISPENSING TUBE.
7. TRAVEL: 1.00mm (Actuator)
8. Δ DESIGNATE MAJOR:



KAN1108 R (1/2 PITCH)

RECOMMENDED P.C.B. LAYOUT



REV.	ECN NO.	DESCRIPTION	DATE	CHKD
A	11902	RELEASED FOR PRODUCTION	2/4/02	CB
THE INFORMATION CONTAINED IN THIS DOCUMENT IS PROPRIETARY TO E-SWITCH AND IS NOT TO BE COPIED OR TRANSMITTED				

TITLE	SCALE	DATE	DR	DWG	REV
KAN1108 R (1/2 PITCH)	3:1	2/4/02	CJB	N111201	A