



**Analog Semiconductor IC**

# MRY1518C Series

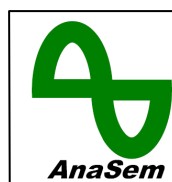
Continuous detection, 1.5mT High sensitivity  
CMOS MR Magnetic Sensor Switch

**(IMPORTANT: Please check the last page for Genuine Product Labeling)**

Rev. E13-03

Website: [www.anasemi.com](http://www.anasemi.com)  
Tel: +852-3590-8442  
Email: [sales@anasemi.com](mailto:sales@anasemi.com)

**AnaSem**  
..... Future of the analog world



# AnaSem

## Products Data Sheet

### Analog Semiconductor IC

Continuous detection, 1.5mT High sensitivity CMOS MR Magnet Sensor Switch

# MRY1518C Series

## GENERAL DESCRIPTIONS

MRY1518C series are monolithic ICs with built-in MR magnet resistive element and CMOS switch. It becomes the non-contact switch with low current consumption, high sensitivity and reliability which is combined with magnet.

A horizontal magnetic field parallel to the electrode of the package can be detected by an arbitrary polarity. (N pole  $\leftrightarrow$  S pole)



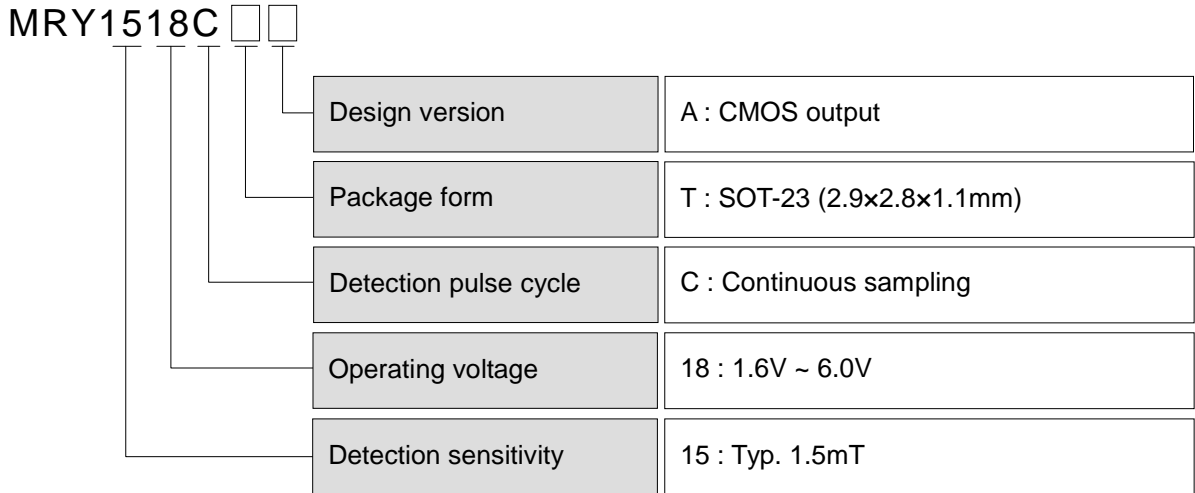
## FEATURES

- CMOS + MR monolithic structure
- Low current consumption ..... 1.8mA ( $V_{IN}=1.8V$ ,  $T_a=25^{\circ}C$ )
- High sensitivity ..... Typ. 1.5mT
- Operating temperature range .....  $-40 \sim +85^{\circ}C$
- Operating voltage range ..... 1.6V ~ 6.0V
- Detection pulse driving cycle ..... Continuous sampling
- Magnetic direction ..... Both direction / CMOS inverter one output
- Detection magnetic field ..... Horizontal direction of marked side of package  
(Electrode parallel both direction)
- Small package ..... SOT-23 (2.9x2.8x1.1mm)

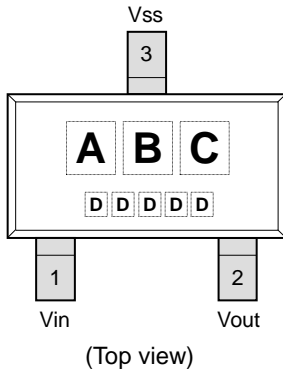
## APPLICATIONS

- Detection of opening and closing : Mobile phone, Notebook PC, Microwave oven, Washing machine, Rice cooker, Refrigerator, Electronic dictionary, Digital camera, etc.
- Detection of position : Air cylinder, Antitheft window, Digital door lock, etc.
- Detection of water level : Water purifier, Humidifier, Bidet, etc.
- Detection of rotation : Water meter, Gas meter, Wattmeter, Speed meter, etc.
- Power supply switch : Cordless phone, Electric toothbrush, etc.

**PRODUCTS NUMBERING GUIDE**



**PIN CONFIGURATION / MARKING SPECIFICATION**



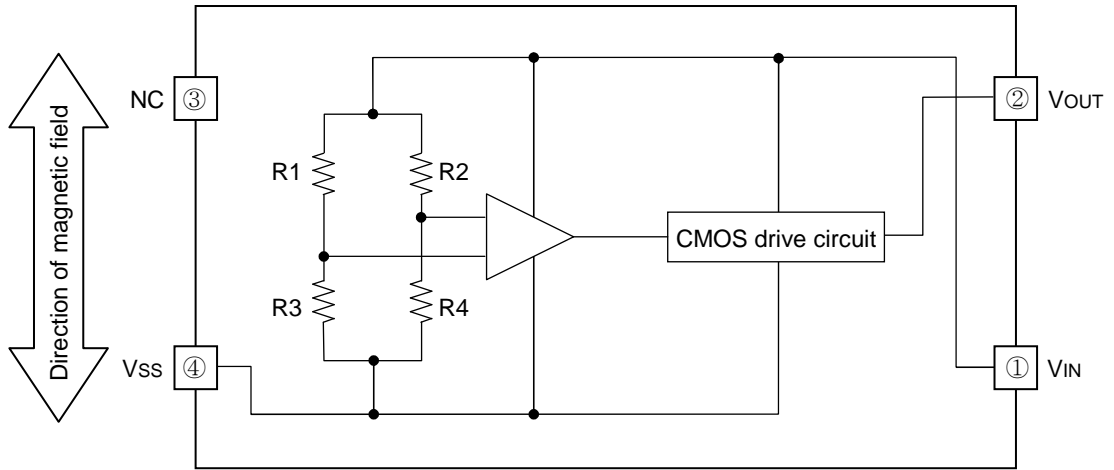
**Pin Configuration**

No.	Symbol	Descriptions
1	VIN	Voltage input
2	VOUT	Output
3	VSS	Power ground

**Marking Specification**

Code	Mark	Contents
A	M	Series name
BC	CA	Products specification & version
D	Internal rule	Lot number

**BLOCK DIAGRAM**



**ABSOLUTE MAXIMUM RATINGS**

Items	Symbol	Min.	Typ.	Max.	Conditions	Unit
Operating temperature	T <sub>OPR</sub>	-40	-	+85		°C
Storage temperature	T <sub>STG</sub>	-50	-	+125		°C
Supply voltage	V <sub>MAX</sub>	V <sub>IN</sub> -0.3	-	V <sub>IN</sub> +6.0		V
Assembly temp. condition	T <sub>ASY</sub>	-	255	260	t=max:5sec/Tmax	°C

## ELECTRICAL CHARACTERISTICS

(Unless otherwise specified, VDD=1.8V, Ta=25°C)

Items	Symbol	Min.	Typ.	Max.	Conditions	Unit
Operating voltage	VIN	1.6	1.8	6.0		V
Current consumption	I <sub>AVG</sub>	-	1.8	2.5		mA
Detection pulse driving cycle	t <sub>s</sub>	-	-	-	Continuous sampling	msec
“H”-level output voltage	V <sub>OH</sub>	0.9V <sub>IN</sub>	-	-	I <sub>OUT</sub> =+1.0mA	V
“L”-level output voltage	V <sub>OL</sub>	-	-	0.1V <sub>IN</sub>	I <sub>OUT</sub> =-1.0mA	V

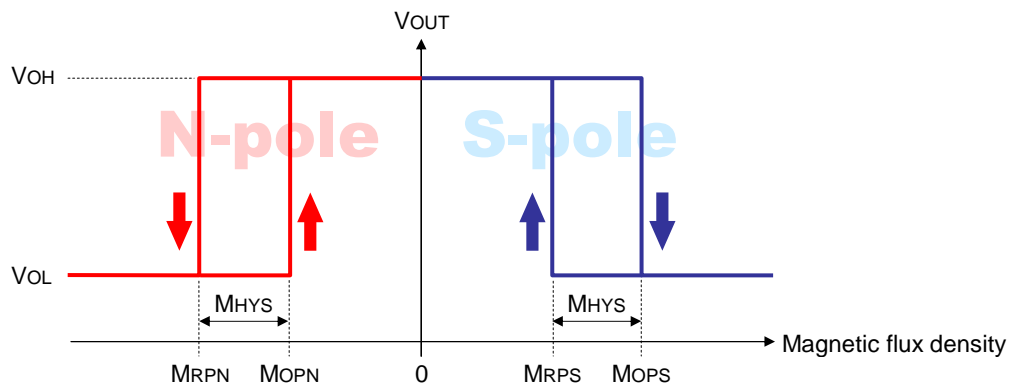
## MAGNETIC CHARACTERISTICS

(Unless otherwise specified, VDD=1.8V, Ta=25°C)

Items	Symbol	Min.	Typ.	Max.	Unit
Magnetic flux density at operating point (H→L)	MOPS	1.0*	1.5	2.2	mT
	MOPN	-2.2	-1.5	-1.0*	
Magnetic flux density at release point (L→H)	MRPS	0.8	1.2	1.9*	mT
	MRPN	-1.9*	-1.2	-0.8	
Width of hysteresis	MHYS	0.1*	0.3	0.8*	mT

Note : The values with [\*] marks are guaranteed by design, not tested in production.

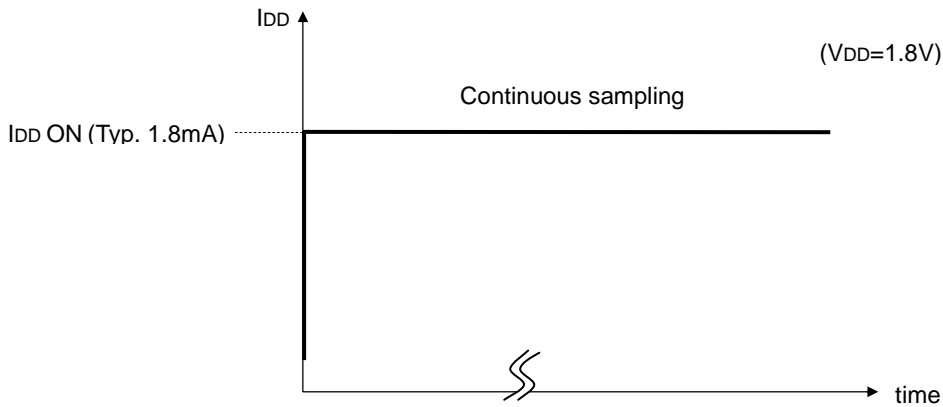
## MAGNETIC-ELECTRIC CONVERSION CHARACTERISTIC



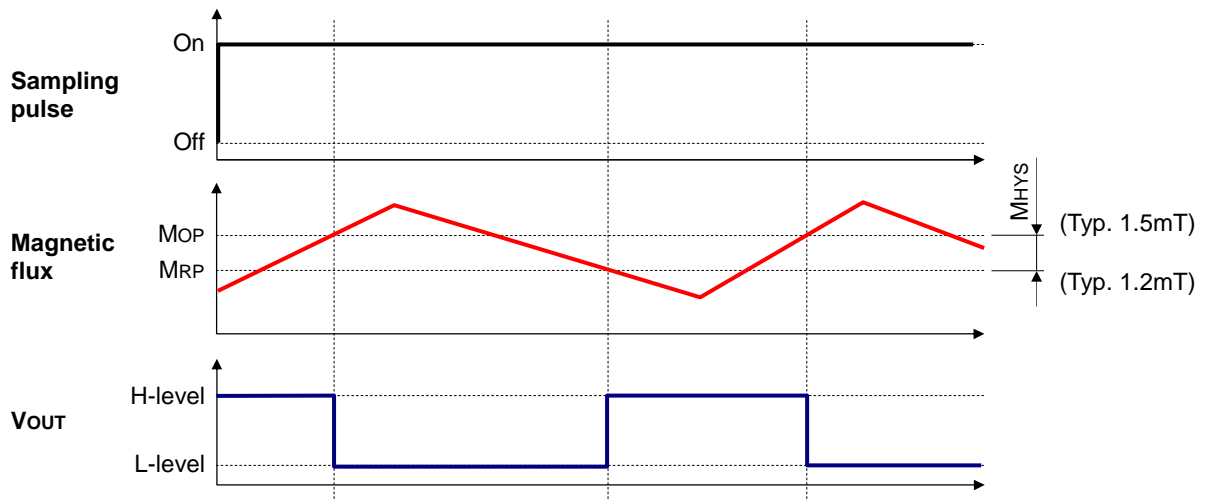
**MAGNETIC FLUX DENSITY AND OUTPUT VOLTAGE LEVEL**

Conditions		Output level
Magnet & Power	Magnet flux density	
Magnet = OFF / Power = ON	$M = 0\text{mT}$	High-level
Magnet = ON / Power = ON	$M \geq 2.2\text{mT}$	Low-level
Magnet = OFF / Power = ON	$M \leq 0.8\text{mT}$	High-level

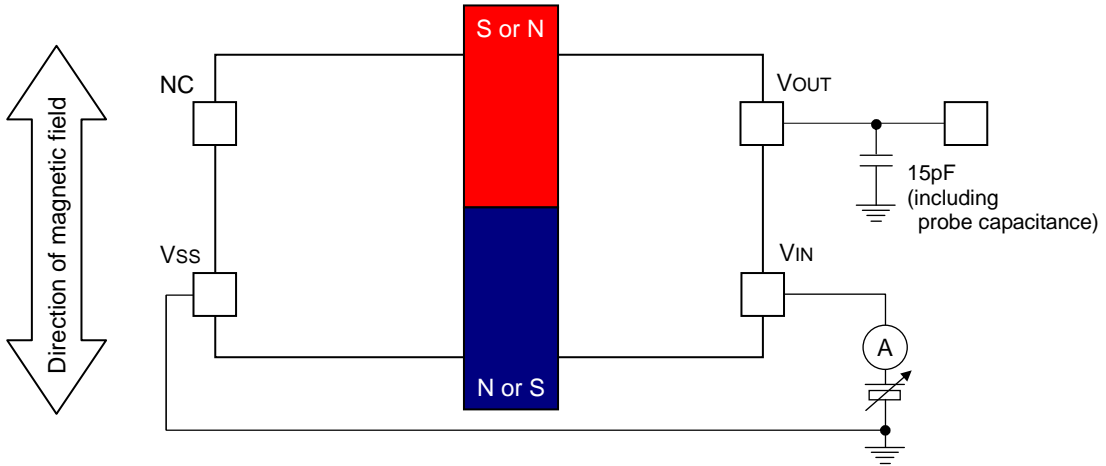
**DETECTION PULSE DRIVING CYCLE (SAMPLING CYCLE)**



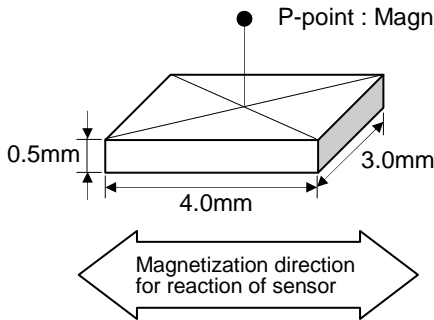
**OUTPUT SWITCHING TIMING CHART**



**TEST CIRCUIT**



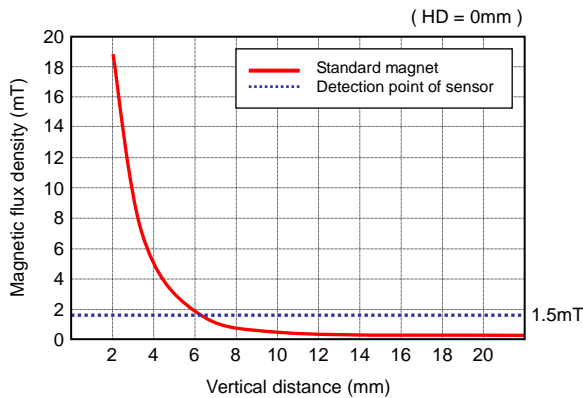
**STANDARD MAGNET SPECIFICATIONS**



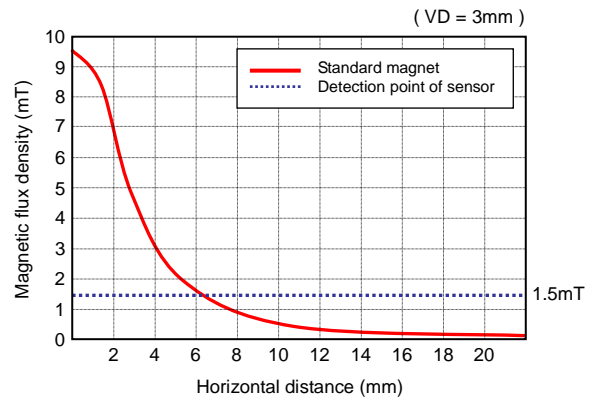
- Magnet maker : TDK Corp. / Japan
- Neodymium magnet
- Magnetic specification : NE047BW
- Size : 4.0 × 3.0 × 0.5mm

**DETECTION DISTANCE SIMULATION (with standard magnet)**

● **Vertical direction (VD)**

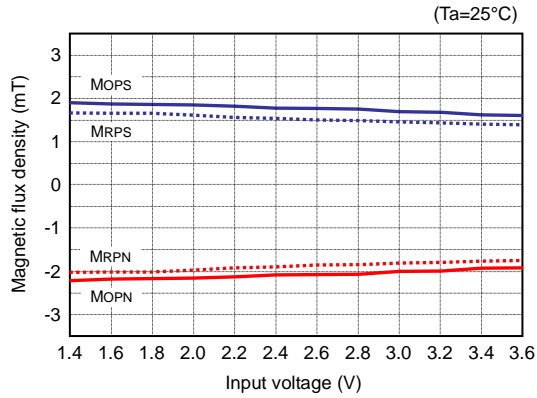


● **Horizontal direction (HD)**

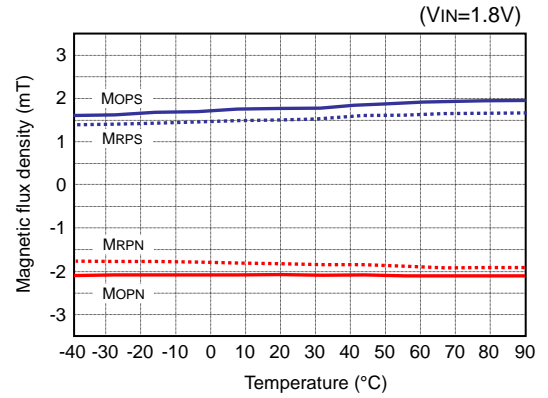


## TYPICAL ELECTRIC CHARACTERISTICS

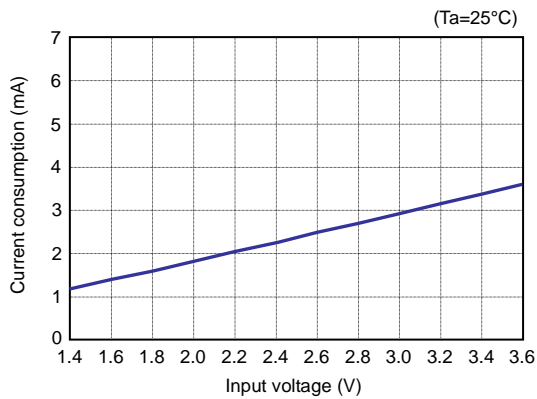
- **Magnetic flux density vs. Input voltage**



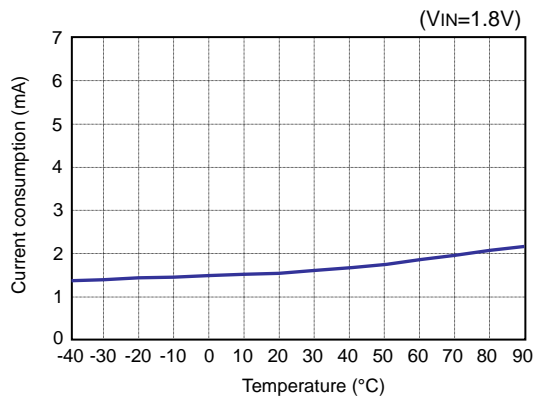
- **Magnetic flux density vs. Ambient temp.**



- **Current consumption vs. Input voltage**



- **Current consumption vs. Ambient temp.**

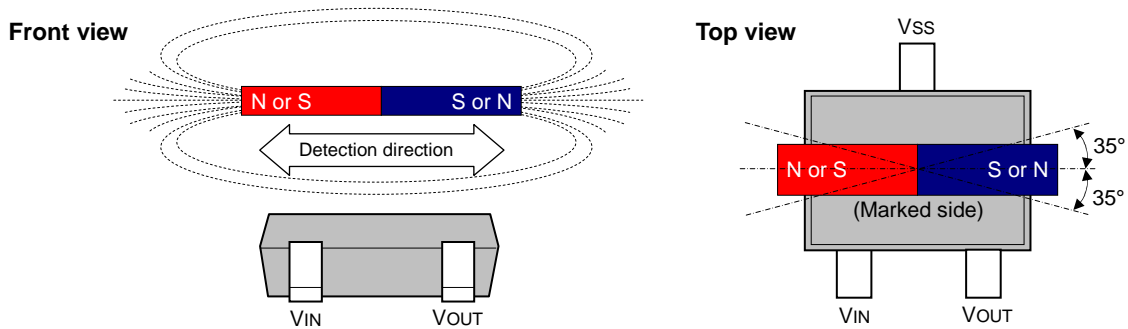




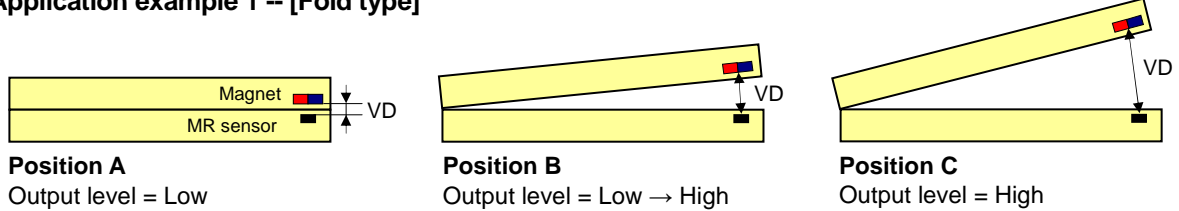
**APPLICATION INFORMATIONS**

● **Detection of magnetic field**

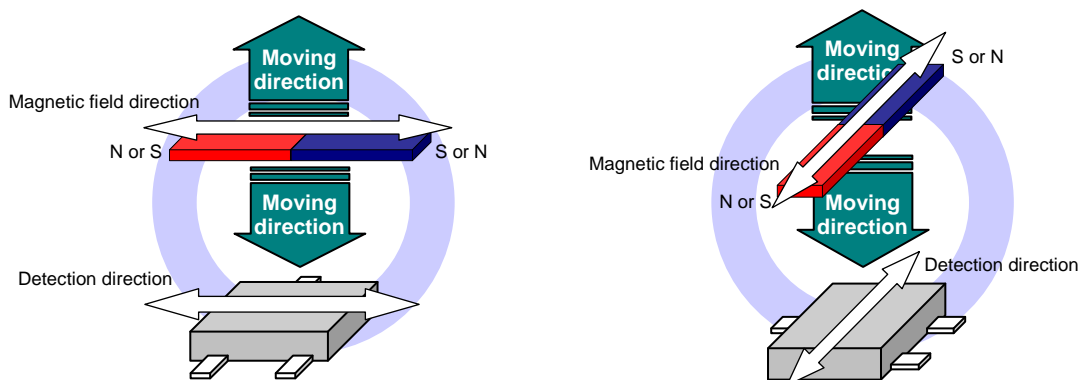
To operate output switch, the magnetic field should be applied to the sensor with sufficient magnetic flux density and correct direction. MR series are designed to be ON-state (L-level output) when the horizontal direction magnetic field is applied in parallel to the marked side of sensor, with sufficient magnetic flux (MOPS or MOPN value) regardless of polarity of magnet. Because MR series detect the horizontal direction magnetic field, it has not influence of the reverse-magnetic field. And also, MR series detect the vertical direction magnetic field according to the level of magnetic flux, so that it is possible to apply to not only slide type but also fold type.



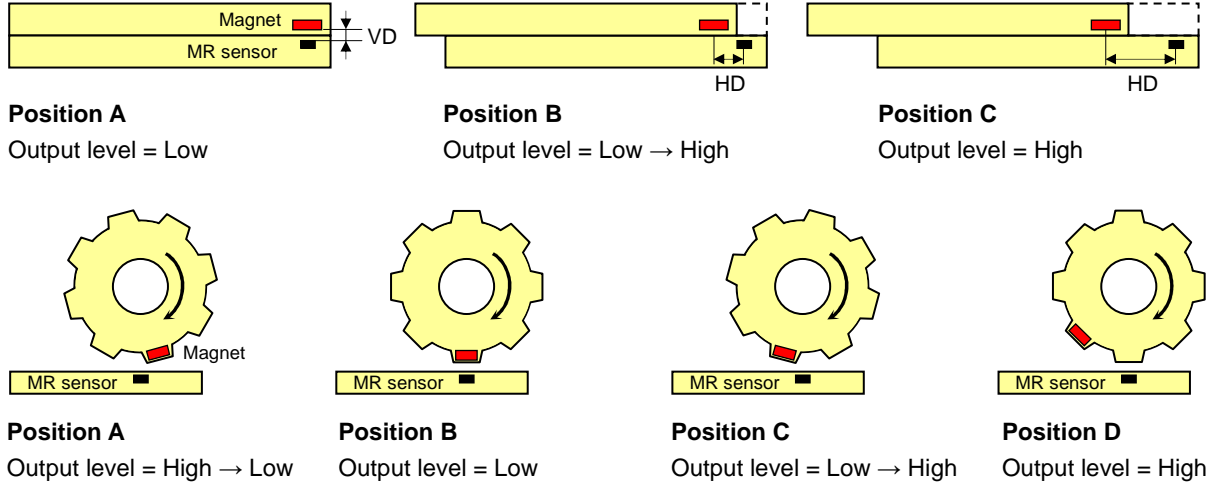
● **Application example 1 -- [Fold type]**



In case MR series is used for fold type cellular phone, IC sense the conditions of opening and shutting of the cover by detection of the magnetic flux according to the distance between IC and magnet. In position A, output is L-level (ON-state) because the detected magnetic flux is sufficient. The magnetic flux decrease according to the magnet is moved from IC (Position A→B). Then the IC is turned H-level (OFF-state) because the magnetic flux become MRP or less (Position B→C).



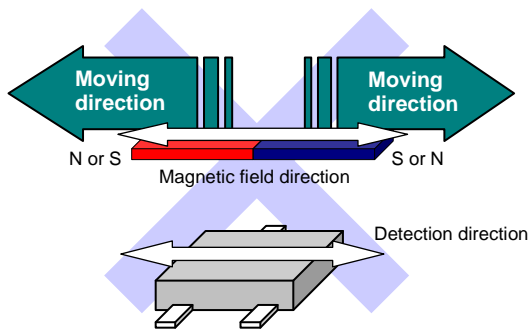
● **Application example 2 -- [Slide type & Rotary type]**



In the detection of the slide type, there are two ways of arrangement of magnetic field detecting direction against moving direction. One is parallel and another is cross with moving direction.

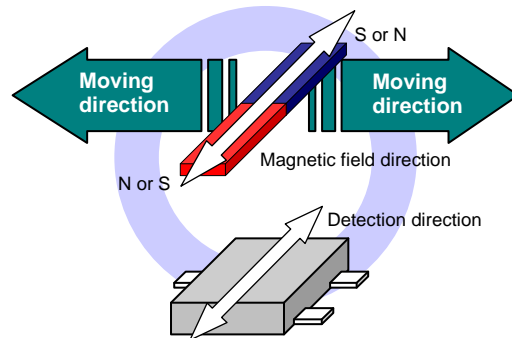
In case of parallel positioning of magnetic field with moving direction [arrangement 1], the output of IC might be L-level (ON-state) → H-level (OFF-state) → L-level (ON-state) → H-level (OFF-state) due to reverse-magnetic field.

To prevent from this malfunction, it is recommended to arrange the detection direction of sensor and magnetic field to be crossed with moving direction of cover [arrangement 2].



**[Arrangement 1]**

Parallel the direction of detection magnetic field with the moving direction

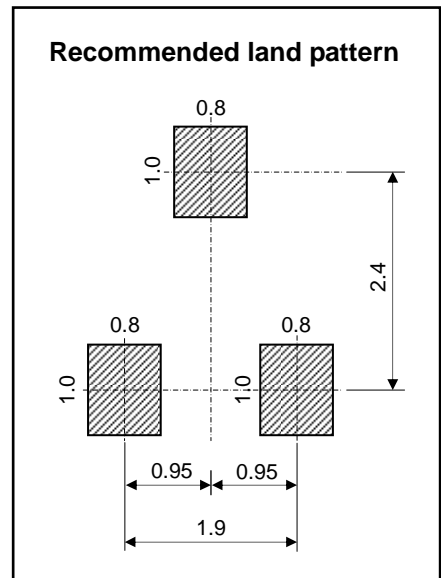
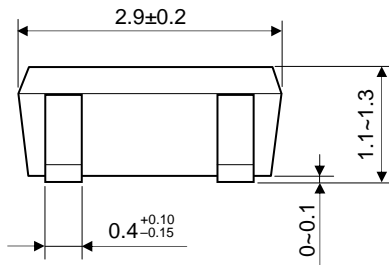
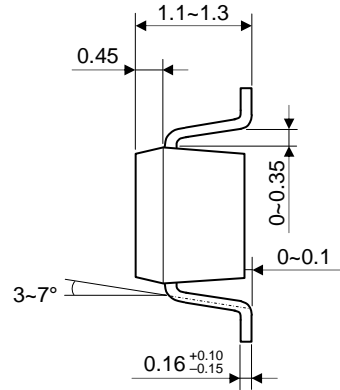
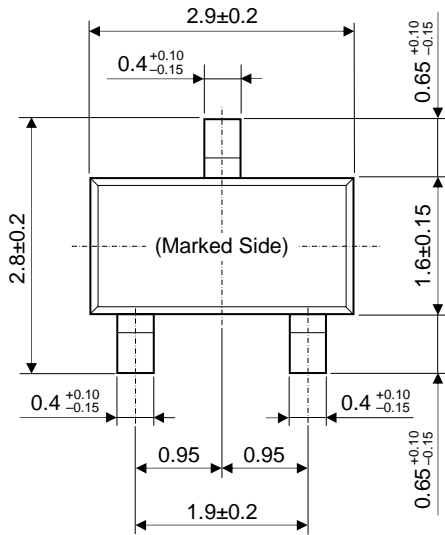


**[Arrangement 2]**

Cross the direction of detection magnetic field with the moving direction

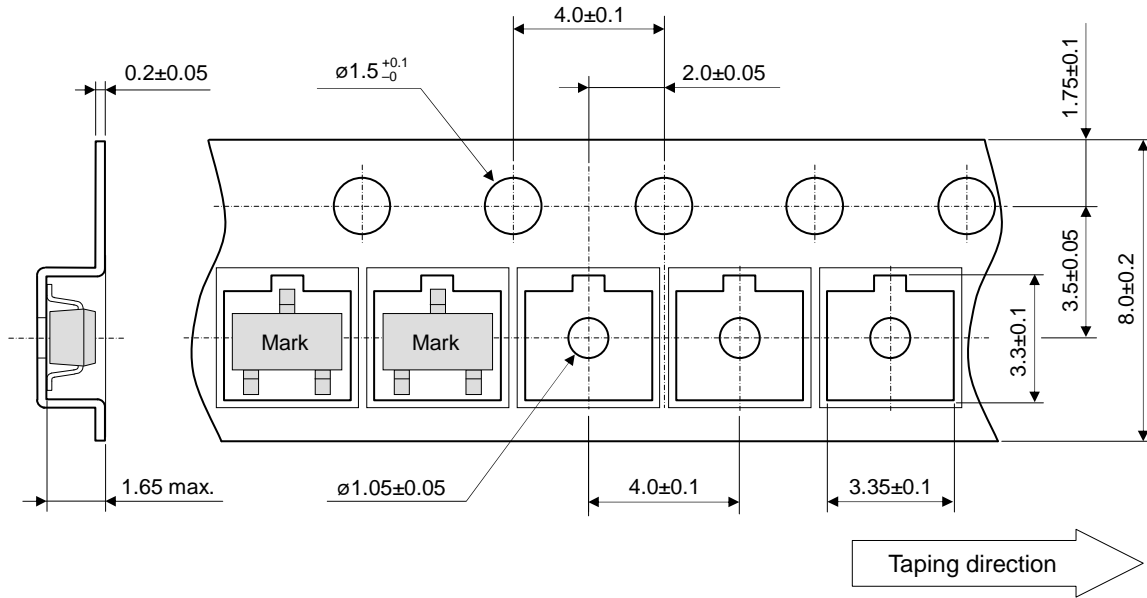
**PACKAGE DIMENSIONS (SOT-23)**

(Unit : mm)



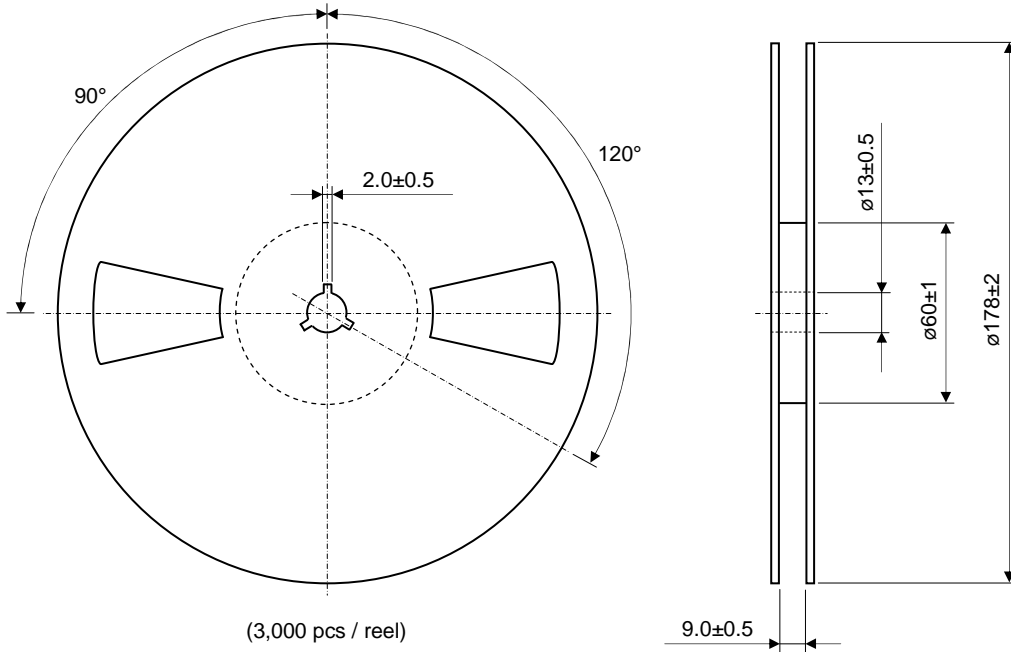
**TAPING AND LOADING SPECIFICATIONS (SOT-23)**

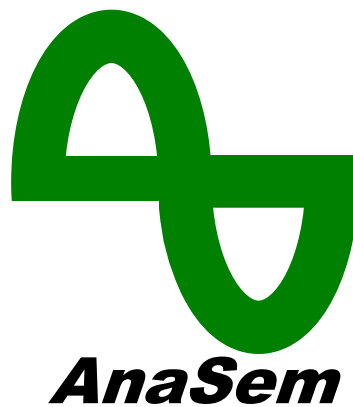
(Unit : mm)



**REEL DIMENSIONS (SOT-23)**

(Unit : mm)





AnaSem may change the products described in this data sheet, or may discontinue production or services without any notice in order to supply the best products through improve the design and performance. Customers are recommended to obtain the latest data or information before placing orders in order to make sure the data or information required is the newest. It is necessary for customers to fully understand the products described in this data sheet and to use it in accordance with its specifications. The products described in this data sheet are not intended to use for the apparatus which have influence on human lives due to the failure or malfunction of the products. AnaSem Corp. is not responsible for any support to customer's application, product design, software performance, patent infringement or service. AnaSem Corp. does not disclose or imply a guarantee or description about being licensed based on patents, copy-rights, circuit location license, or other intellectual properties associated with the devices or combinations in which the products or service of AnaSem Corp. are used or can be used, or which cover the methods. Customers should not export, directly or indirectly, any products without obtaining required licenses and approvals in advance from appropriate government agencies.

**AnaSem**

---

[www.anasemi.com](http://www.anasemi.com)

[sales@anasemi.com](mailto:sales@anasemi.com)

### GENUINE PRODUCT LEGITIMATE LABEL DEFINITION

