

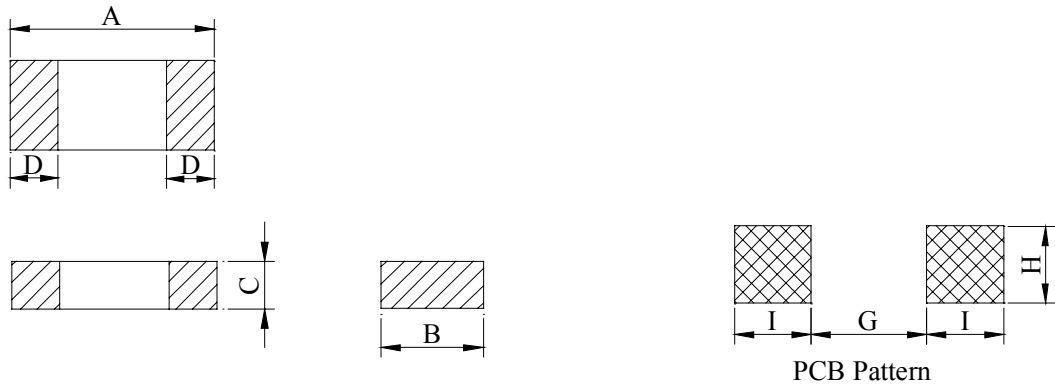
SPECIFICATION FOR APPROVAL

REF :

PAGE: 1

PROD. NAME	MULTILAYER CHIP BEAD	ABC'S DWG NO.	MB1608□□□□5□
		ABC'S ITEM NO.	

CONFIGURATION & DIMENSIONS :



Unit : m/m

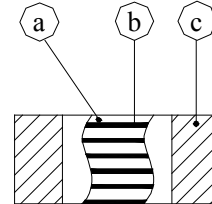
Series	A	B	C	D	G	H	I
MB1608	1.60±0.15	0.80±0.15	0.80±0.15	0.30±0.20	0.7	0.7	0.7

SCHEMATIC DIAGRAM :



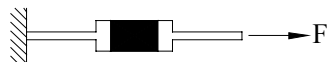
MATERIALS :

- a . Body : Ferrite
- b . Internal conductor : Silver or Ag / Pd
- c . Terminal electrode : Ag/Ni/Sn (Lead content 100ppm max.)
- d . Remark : Lead content 1600ppm typ. include ferrite



GENERAL SPECIFICATION :

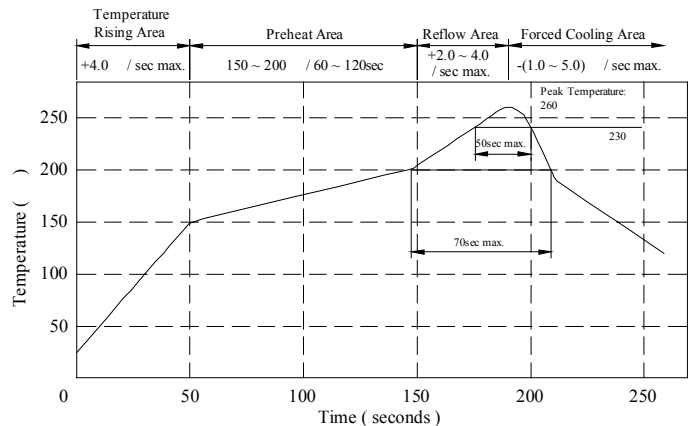
- a . Storage temp. : -40 ---- +105
- b . Operating temp. : -25 ---- +85
- c . Terminal Strength :



Type	F (kgf)	time (sec)
MB1608	0.5	30±5

- d . Solderability : Preheat : 150±25°C for 60 seconds
 Solder : Sn96.5 / Ag3 / Cu0.5 or equivalent
 Solder temp. : 260±5
 Flux : Rosin
 Dip time : 4±1 seconds

Peak Temp : 260 max.
 Max time above 230 : 50sec max.
 Max time above 200 : 70sec max.



SPECIFICATION FOR APPROVAL

REF :

PAGE: 2

PROD. NAME	MULTILAYER CHIP BEAD	ABC'S DWG NO. ABC'S ITEM NO.	MB1608□□□□5□
---------------	----------------------	-------------------------------------	--------------

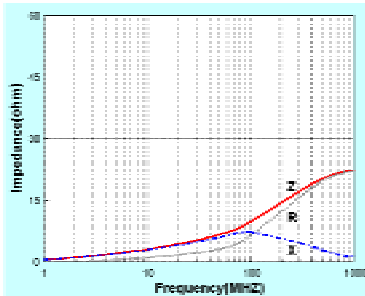
. ELECTRICAL CHARACTERISTICS :

DWG No.	Impedance (Ω)	Z Test Freq. (MHz)	RDC (Ω) max.	Ir (mA) max.
MB1608100Y5□	10.0±25%	100	0.02	2000
MB1608300Y5□	30.0±25%	100	0.03	2000
MB1608600Y5□	60.0±25%	100	0.03	2000
MB1608121Y5□	120.0±25%	100	0.10	1000
MB1608221Y5□	220.0±25%	100	0.15	800
MB1608301Y5□	300.0±25%	100	0.20	600

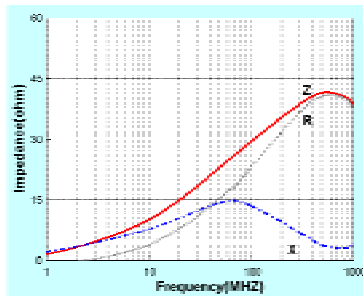
1). □ : Packaging Information... A Bulk B Taping Reel

. IMPEDANCE VS. FREQUENCY CHARACTERISTICS :

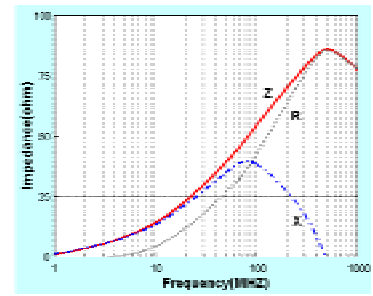
MB1068-100



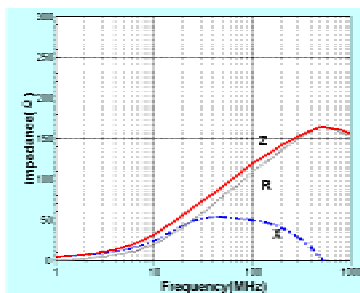
MB1608-300



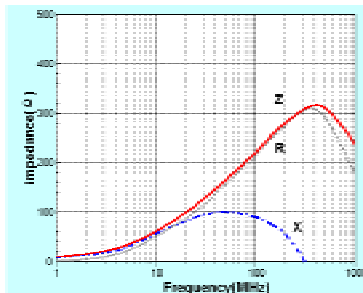
MB1608-600



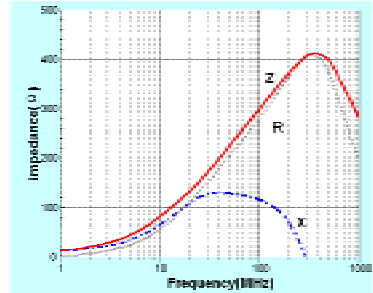
MB1608-121



MB1608-221



MB1608-301



SPECIFICATION FOR APPROVAL

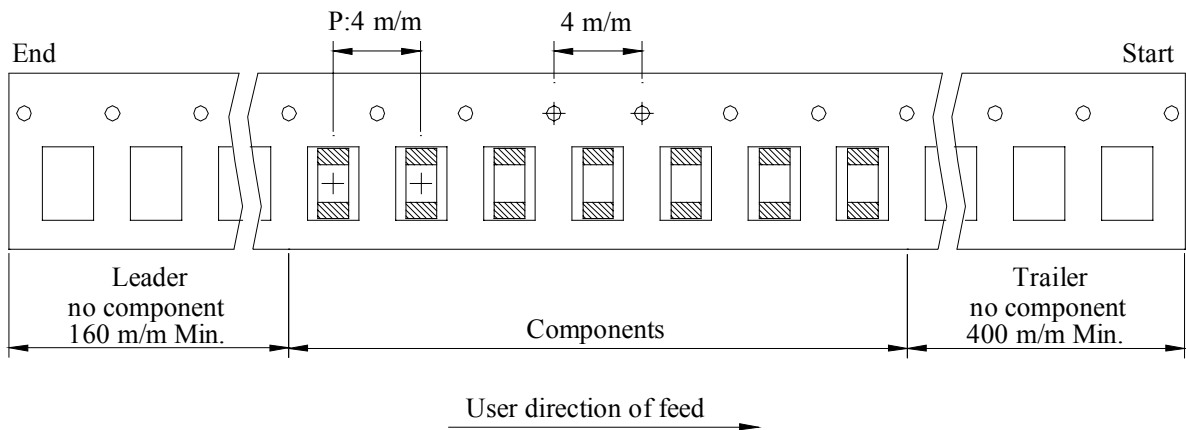
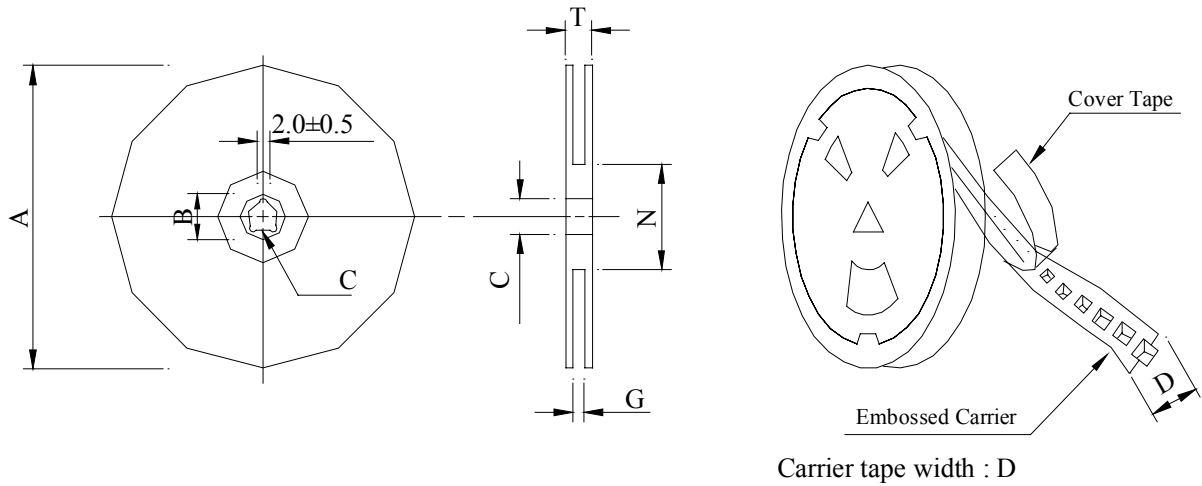
REF :

PAGE: 3

PROD. NAME	MULTILAYER CHIP BEAD	ABC'S DWG NO.	MB1608□□□□5□
		ABC'S ITEM NO.	

PACKAGING INFORMATION

(1) Confihuration



(2) Dimensions

Unit:m/m

Style	A	B	C	D	G	N	T
07 - 08	178	21±0.8	13	8	10 ⁺⁰	50 ⁻⁰	12.5

(3) Q'TY & G.W. Per package

Series	Inner : Reel			Outer : Carton		
	Q'TY (pcs)	G.W. (gw)	Style	Q'TY(pcs)	G.W. (Kg)	Size (cm)
MB1608	4,000	90	07 - 08	200,000	7.0	41 x 39 x 22

AE-001A

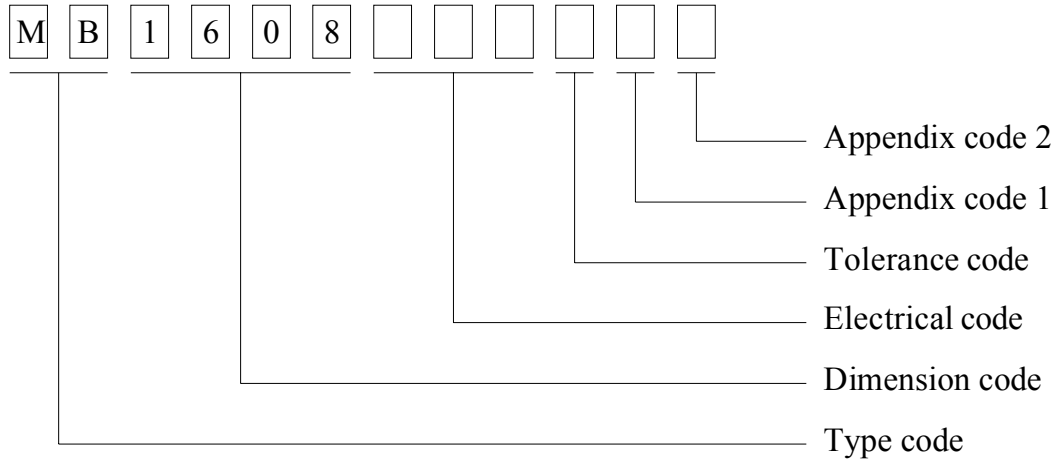
SPECIFICATION FOR APPROVAL

REF :

PAGE: 4

PROD. NAME	MULTILAYER CHIP BEAD	ABC'S DWG NO.	MB1608□□□□5□
		ABC'S ITEM NO.	

. DWG EXPRESSION :



Appendix code 1 : S : Standard products

A K , M R , T Z : Special products

L : Standard Lead Free products

1 ~ 9 : Special Lead Free products

Appendix code 2 :

Code	Inner package	Inner package Q'TY	Remark
A	Empty	Empty	
B	T / R (Reel package)	4000 pcs	