



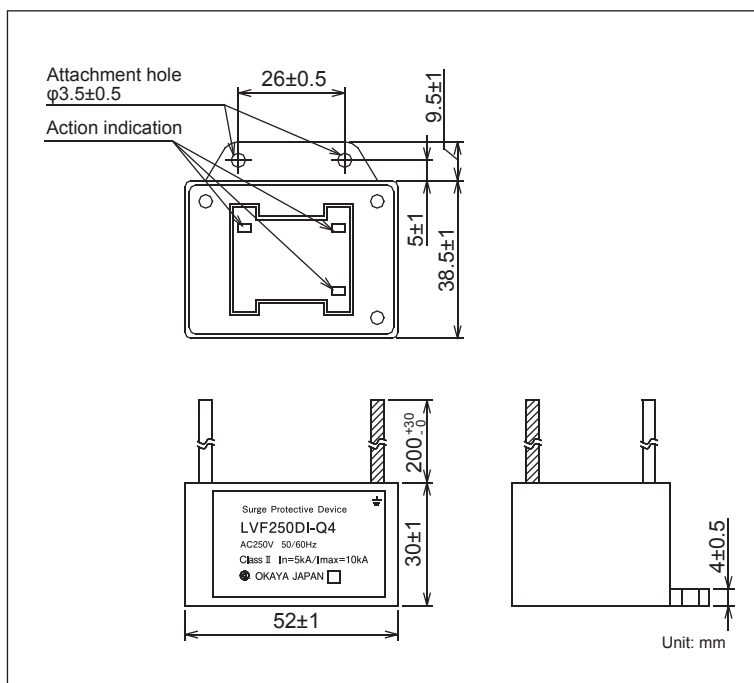
Features

- SPD with a fail safe function to prevent short-circuit (separation of circuit and element is visually confirmable)
- Quick response for surge
- JIS5381-I : Normal 8/20 μ s-5,000A
Max. 8/20 μ s-10,000A
- Impulse test category: Class II (Type II)
- Every pathway consists of same elements.
Between line and line/between lines and ground can protect as the same level.

Applications

- Road traffic and related equipment
- Power conditioner for solar photovoltaic system etc.

Dimensions



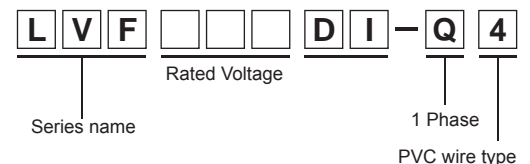
Action indication



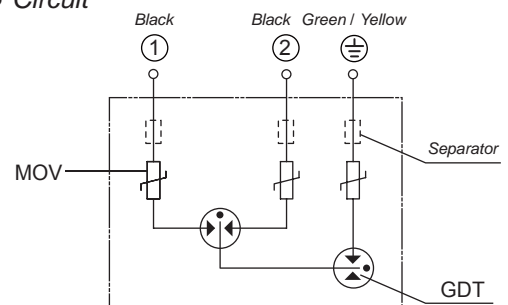
Status

Green: Normal
No Green: Abnormal

Model numbering system



Circuit



*There is no problem even if the connecting cable (Black) is connected with every parts.

Electrical Specifications

Model Number	Rated Voltage 50/60Hz	DC Operating Voltage (V) $\pm 25\%$	Voltage Protection Level (V)	Normal Discharge Current 8/20 μ s (A)	Max. Discharge Current 8/20 μ s (A)	Surge Current Life 8/20 μ s-1kA
LVF250DI-Q4	AC250V	700	1,500	5,000	10,000	Approx. 500 times