

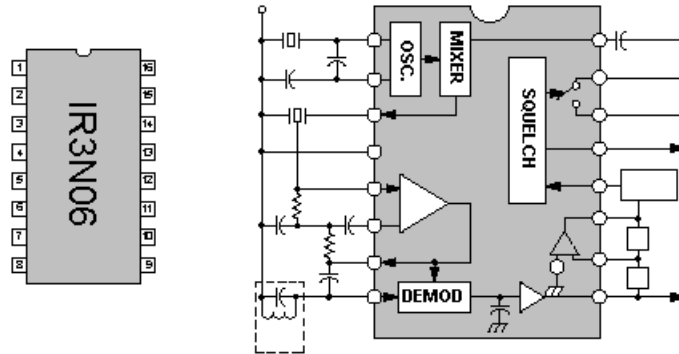
Search: The Web Tripod Free Online Golf Share This Page Report Abuse Build a Site Browse Sites Hosted by 

[< Previous](#) | [Top 100](#) | [Next >](#)

Windows operated Transmitter and Receiver

IR3N06 Low Power Narrowband FM IF

IR3N06 is similar to MC3361, MC3371, MC3372, MC3357, LM3361, KT3361, KA3361 NJM3357



The IR3N06 is a low power narrow band FM detector integrated circuit for FM dual conversion of communication equipment. The IR3N06 includes oscillator, limiting amplifier, AFC circuit, quadrature detect, operational amplifier, squelch circuit, scan-control and muting switch.

Pin	Name	Description
1		Crystal oscillator (10.245MHz)
2		Crystal oscillator (10.245MHz)
3		Mixer output to Filter (455kHz)
4	Vcc	Positive Supply Voltage
5		Limiter input
6		Decoupling
7		Limiter output
8		Quadrature Coil input
9		Demodulator output
10		IF Filter input
11		IF Filter output
12		Squelch input
13		Scan Control
14		Audio Mute
15	GND	Ground
16		RF / MF input (10.7MHz)



[CB Radio Banner Exchange](http://www.cb-radio.de)