

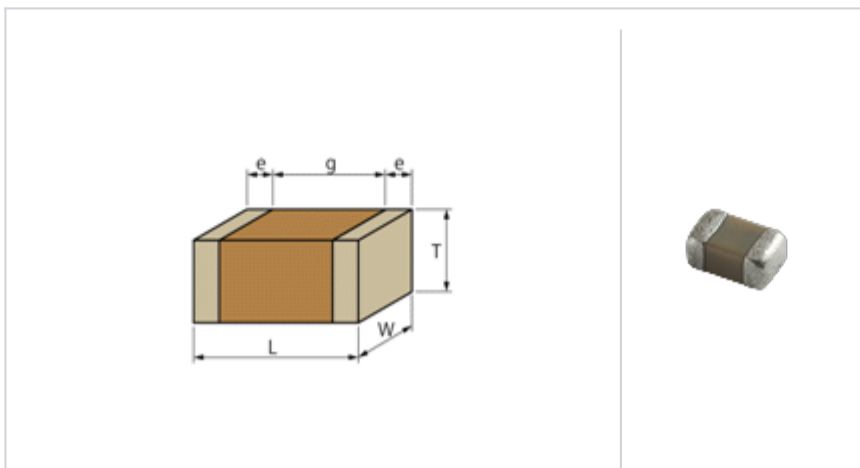
GCJ188R71C474KA12#

" # " indicates a package specification code.

- Recommended
- Reflow OK
- Complies with RoHS
- AEC-Q200
- Fail safe
- Deflecting crack

< List of part numbers with package codes >
 GCJ188R71C474KA12D , GCJ188R71C474KA12J

Shape



| | |
|---------------------------------------|--------------|
| L size | 1.6 ± 0.2mm |
| W size | 0.8 ± 0.1mm |
| T size | 0.8 ± 0.1mm |
| External terminal width e | 0.2 to 0.5mm |
| Distance between external terminals g | 0.5mm min. |
| Size code in mm(inch) | 1608 (0603) |

Notes

Resin external electrode products

References

| Packaging | Specifications | Minimum quantity |
|-----------|--------------------|------------------|
| D | 180mm Paper taping | 4000 |
| J | 330mm Paper taping | 10000 |

| Mass (typ.) | |
|-------------|-------|
| 1 piece | 6.3mg |
| 180mm Reel | 144g |

Specifications

| | |
|--|--------------|
| Capacitance | 0.47µF ± 10% |
| Rated voltage | 16Vdc |
| Temperature characteristics (complied standard) | X7R(EIA) |
| Capacitance change rate | ± 15.0% |
| Temperature range of temperature characteristics | -55 to 125 |
| Operating temperature range | -55 to 125 |

⚠ Attention

- This datasheet is downloaded from the website of Murata Manufacturing Co., Ltd. Therefore, it ' s specifications are subject to change or our products in it may be discontinued without advance notice. Please check with our sales representatives or product engineers before ordering.
- This datasheet has only typical specifications because there is no space for detailed specifications. Therefore, please review our product specifications or consult the approval sheet for product specifications before ordering.