

---

*Specification*

*For*

*LCD Module*

*CCM1620CSLBS1*

**Prepared by:** \_\_\_\_\_

**Checked by:** \_\_\_\_\_

**Approved by:** \_\_\_\_\_



## CCM1620CSLBS1 LCD MODULE

### 1、FEATURES

- Display Type: STN
- Display Format: 16 Characters x 2 Lines
- Input Data: 4-Bits or 8-Bits interface available
- Display Font: 5 x 8 Dots
- Display Mode: Yellow-Green
- Driving Mode: 1/16 Duty, 1/5 Bias
- Operating Voltage: 5.0V
- Viewing Direction: 6 O'clock
- Backlight: LED, Yellow-Green (4.2V)

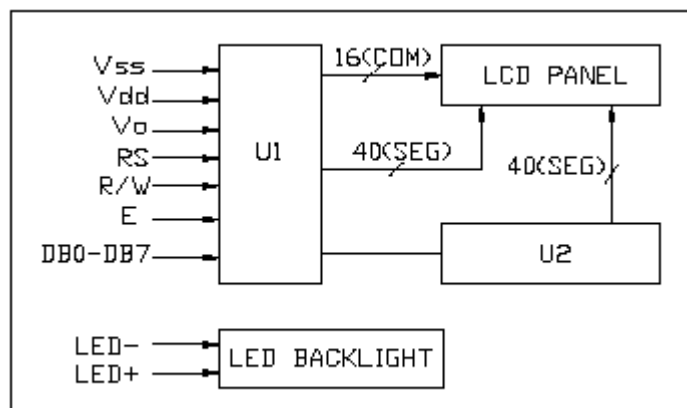
### 2、ABSOLUTE MAXIMUM RATINGS

Item	Symbol	Min.	Max.	Unit
Power Supply for Logic	Vdd	-0.3	+7.0	V
Power Supply for LCD Drive	Vlcd	Vdd-13.5	Vdd+0.3	V
Input Voltage	Vi	-0.3	Vdd+0.3	V
Operating Temperature	Topr	0	+50	°C
Storage Temperature	TSgt	-20	+60	°C

### 3、MECHANICAL PARAMETERS

Item	Description	Unit
LCM Outline Dimension	80.0 x 36.0 x13.0 (MAX)	mm
Viewing Area	64.5 x 13.8	mm
Weight	About 40.0	g

### 4、SYSTEM BLOCK DIAGRAM





## 5、 DC CHARACTERISTICS (Ta=25°C; Vdd=5.0V±5%, Vss=0V)

Item	Symbol	Test Condition	Min.	Typ.	Max.	Unit
Operating Voltage	Vdd	--	--	5.0	--	V
LCD Voltage	Vlcd	Vdd-Vo	--	5.0	--	V
Operating Current	Idd	Vdd=5.0V	--	1.2	1.8	MA
Input "High" Voltage (1) (Except OSC1)	Vih1	--	2.2	--	Vdd	V
Input "Low" Voltage (1) (Except OSC1)	Vil1	--	-0.3	--	0.6	V
Input "High" Voltage (2) (OSC1)	Vih2	--	Vdd-1.0	--	Vdd	V
Input "Low" Voltage (2) (OSC1)	Vil2	--	-0.2	--	1.0	V
Output "High" Voltage (1) (D0-D7)	Voh1	Ioh=-0.205mA	2.4	--	--	V
Output "Low" Voltage (1) (D0-D7)	Vol1	Iol=1.2mA	--	--	0.4	V

## 6、 LED Backlight CHARACTERISTICS (Ta=25°C)

Characteristic	Symbol	Min.	Typ.	Max.	Conditions	Unit
Forward Voltage	Vf	--	4.2	--	If=100mA	V
Forward Current	If	--	--	150	--	mA
Reverse Voltage	Vr	--	--	8	--	V
Reverse Current	Ir	--	--	100	Vr=8V	UA
Operating temp.	Topr	-20	--	+85	--	°C
Storage temp.	Tstg	-25	--	+85	--	°C



## 7、PIN ASSIGNMENT

NO.	Symbol	Level	Function
1	Vss	--	GROUND
2	Vdd	--	POWER SUPPLY FOR LOGIC
3	Vo	--	POWER SUPPLY FOR LCD
4	RS	H/L	Register Select H: Data register L: Instruction register
5	R/W	H/L	H--Read L--Write
6	E	H, H-L	Start enable signal to read or write the data
7	DB0	H/L	Data bus used in 8 bit transfer
8	DB1	H/L	
9	DB2	H/L	
10	DB3	H/L	
11	DB4	H/L	Data bus for both 4 and 8 bit transfer
12	DB5	H/L	
13	DB6	H/L	
14	DB7	H/L	
15	A	--	LED Backlight (+)
16	K	--	LED Backlight (-)

## 8、AC CHARACTERISTICS (Vdd=5.0V ± 5%, Vss=0V, Ta=25°C) (Write mode)

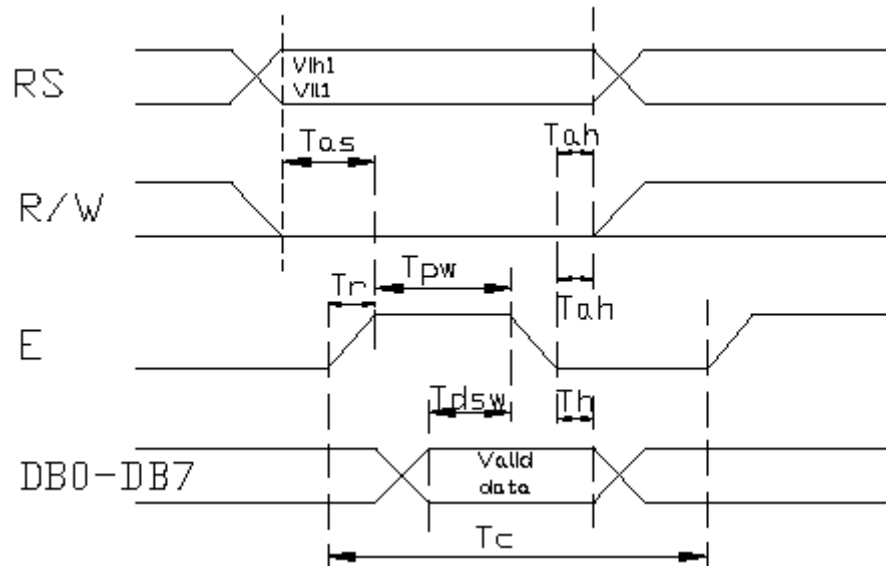
Characteristic	Symbol	Min.	Typ.	Max.	Unit
E Cycle Time	Tc	1200	--	--	ns
E Rise/Fall Time	Tr, Tf	--	--	25	ns
E Pulse Width (High, Low)	Tw	140	--	--	ns
R/W and RS Set-up Time	Tsu1	0	--	--	ns
R/W and RS Hold Time	Th1	10	--	--	ns
Data Set-up Time	Tsu2	40	--	--	ns
Data Hold Time	Th2	10	--	--	ns

## 9、AC CHARACTERISTICS (Vdd=5.0V ± 5%, Vss=0V, Ta=25°C) (Read mode)

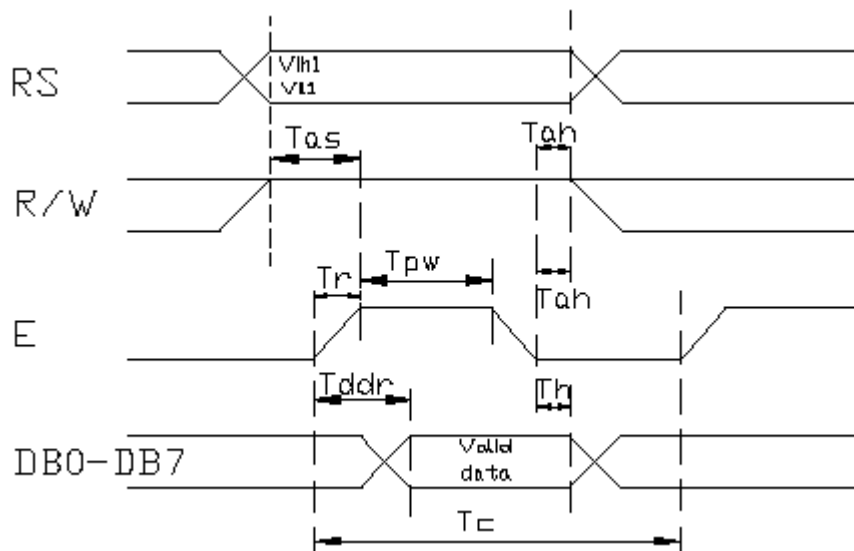
Characteristic	Symbol	Min.	Typ.	Max.	Unit
E Cycle Time	Tc	1200	--	--	ns
E Rise/Fall Time	Tr, Tf	--	--	25	ns
E Pulse Width (High, Low)	Tw	140	--	--	ns
R/W and RS Set-up Time	Tsu	0	--	--	ns
R/W and RS Hold Time	Th	10	--	--	ns
Data Output Delay Time	Td	--	--	100	ns
Data Hold Time	Tdh	10	--	--	ns



## 10、WRITE MODE TIMING DIAGRAM



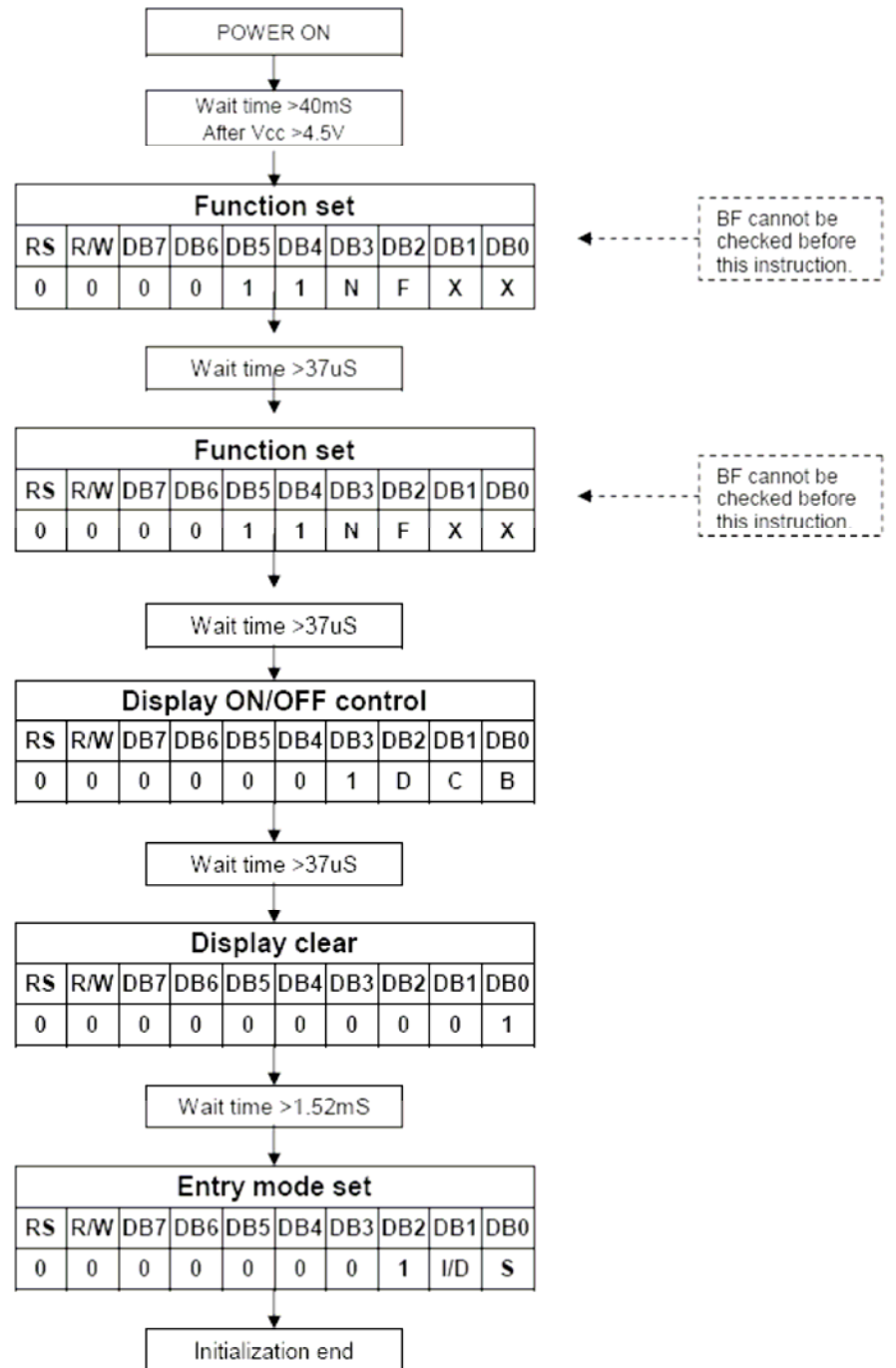
## 11、READ MODE TIMING DIAGRAM





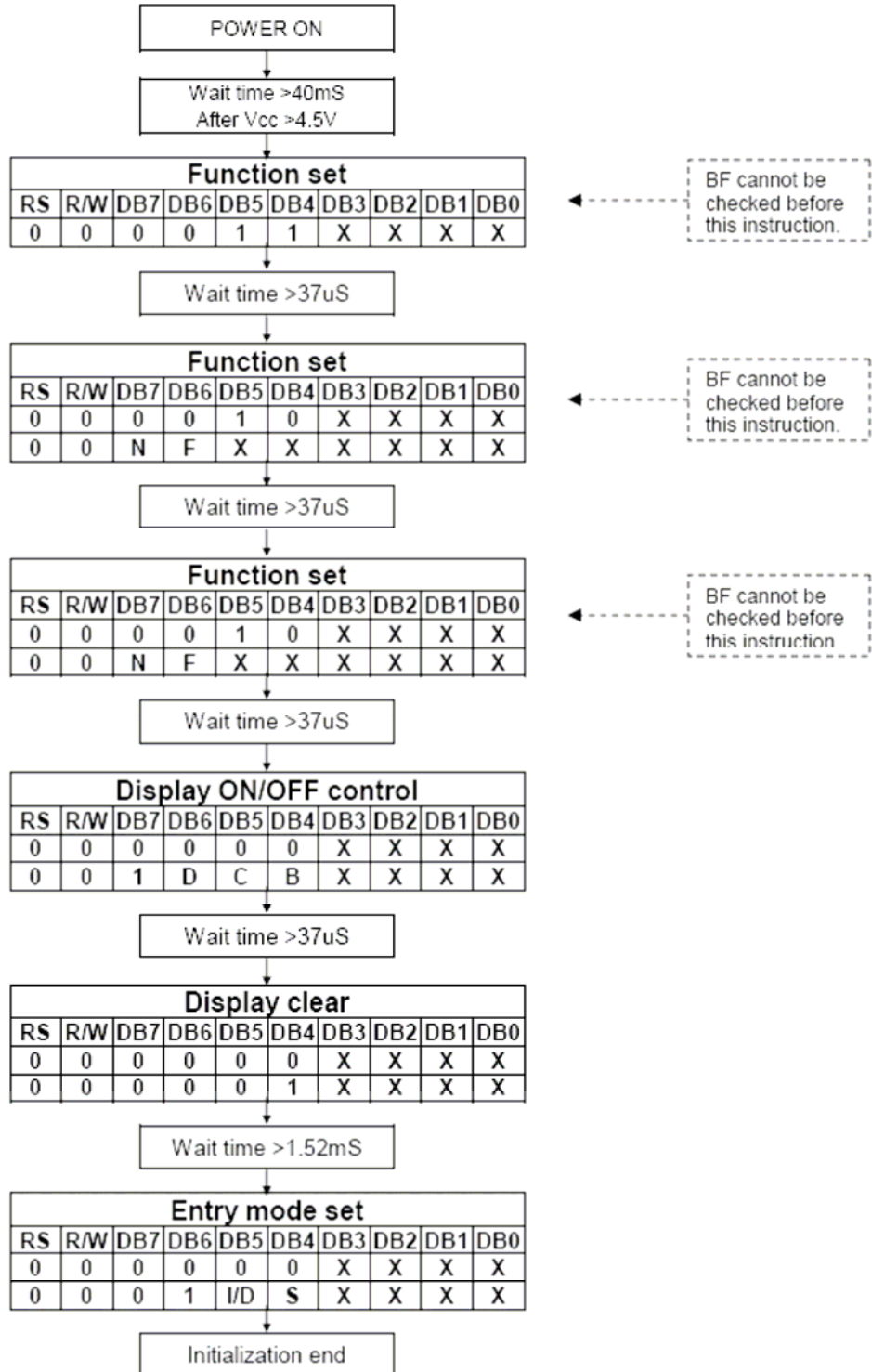
## 12.INITIALING BY INSTRUCTION

- 8-bit Interface (fosc=270KHz)





● 4-bit Interface (fosc=270KHz)





### 13、 CONTROL AND DISPLAY COMMAND

Command	RS	R/W	DB7	DB6	DB5	DB4	DB3	DB2	DB1	DB0	Remark
Display Clear	L	L	L	L	L	L	L	L	L	H	Write "20H" to DDRAM.and set DDRAM address to "00H" from AC.
Return Home	L	L	L	L	L	L	L	L	H	X	Cursor move to first digit
Entry Mode Set	L	L	L	L	L	L	L	H	I/D	SH	I/D: Set cursor move direction H-Increase L-Decrease SH: Specifies shift of display H-Display is shifted L-Display is not shifted
Display On/Off Control	L	L	L	L	L	L	H	D	C	B	D: Display (H-on, L-off) C: Cursor (H-on, L-off) B: Blinking (H-on, L-off)
Shift	L	L	L	L	L	H	S/C	R/L	X	X	SC:(H-Display shift, L-Cursor move) R/L:(H-Right shift, L-Left shift)
Set Function	L	L	L	L	H	DL	N	F	X	X	DL:(H-8 bits interface, L-4 bits interface) N:(H-2 line display, L-1 line display) F:(H-5 x 10 dots, L-5 x 7 dots)
Set CGRAM Address	L	L	L	H	CG RAM address (Corresponds to address)					CGRAM data is sent and received after this setting	
Set DDRAM Address	L	L	H	DD RAM address					DDRAM data is sent and received after this setting		
Read Busy Flag & Address	L	H	BF	Address Counter used for Both DD & CGRAM address					BF:(H-Busy, L-Ready) --Reads BF indication Internal operating is being performed --Reads address counter contents		
Write Data to RAM	H	L	Write Data					Write data into DDRAM or CGRAM			
Read Data from RAM	H	H	Read Data					Read data from DDRAM or CGRAM			

"X": Don't Care





## 14、FONT TABLE

NO.7086-0A

b7-b4 b3-b0	0000	0001	0010	0011	0100	0101	0110	0111	1000	1001	1010	1011	1100	1101	1110	1111
0000	CG RAM (1)			0	1	P	\	F				-	9	3	0	P
0001	(2)		!	l	Q	a	q				u	F	7	4	3	q
0010	(3)		"	2	R	b	r				r	i	9	x	B	B
0011	(4)		#	3	S	c	s				j	0	7	E	3	3
0100	(5)		\$	4	D	T	d	t			\	I	t	k	μ	0
0101	(6)		%	5	E	U	e	u			*	7	6	1	0	0
0110	(7)		&	6	F	U	f	u			7	0	2	3	p	2
0111	(8)		'	7	G	U	g	u			7	7	x	7	g	π
1000	(1)		(	8	H	X	h	x			4	0	*	7	7	x
1001	(2)		)	9	I	Y	i	y			6	7	7	7	"	y
1010	(3)		*	*	J	Z	j	z			3	0	0	V	j	7
1011	(4)		+	*	K	L	k	l			*	7	0	0	*	π
1100	(5)		*	<	L	7	l	l			7	0	7	7	0	π
1101	(6)		-	=	M	I	m	i			u	x	^	7	7	÷
1110	(7)		.	>	N	^	n	*			3	0	0	*	π	
1111	(8)		/	?	O	_	o	e			6	0	x	"	0	■



**CASIL SEMICONDUCTOR CO., LTD.**  
**CASIL OPTOELECTRONIC PRODUCT DEVELOPMENT LTD.**  
 18/F., China Aerospace Centre, 143 Hoi Bun Road, Kwun Tong, Kowloon, Hong Kong  
 Tel:(852) 23307800  
 Fax:(852) 24551101 24540883(Direct)  
 E-mail: lcd@casilsemi.com

## 15、 ASSEMBLY DIAGRAM

**REMARK:**  
 1.DISPLAY TYPE:STN  
 2.DISPLAY MODE:Yellow-Green Mode  
 3.OPERATION TEMP:0°C~50°C  
 4.STORAGE TEMP:-20°C~60°C  
 5.液晶口朝电阻

**K. A: LED Backlight**

1	2	3	4	5	6	7	8	9	10	11	12	13	14	15	16
V <sub>SS</sub>	V <sub>d</sub>	V <sub>o</sub>	RS	R/W	E	DB0	DB1	DB2	DB3	DB4	DB5	DB6	DB7	A	K

REV.	DATE	FROM MODIFICATION	TO	DRWN	CHKD	APPD	STATUS	APPD	DATE	VIEWING DIRECTION

1/16	DUTY CYCLE	1/5	BIASING	5.0V	OPERATING VOLTAGE	6	0'CLOCK
CASIL CONHUI SEMICONDUCTOR CO.,LTD.							
TITLE LCM							
PRODUCT NO. CM162UCSLHS1				REV. A		SHEET OF 1/1	
DWN YXR. 2006.8.3				CHKD		TOLERANCE UNLESS SPECIFIED	
APPD				UNIT MM		SCALE	