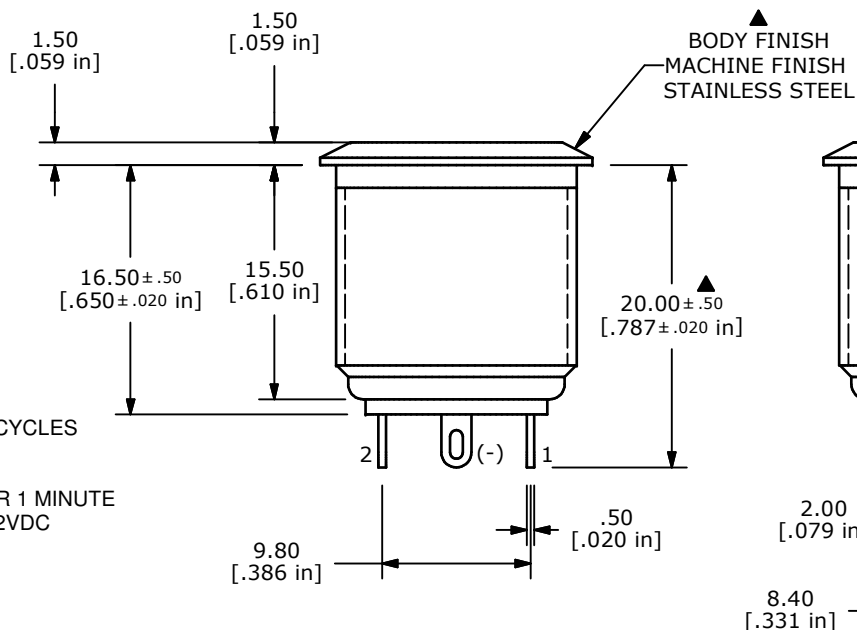
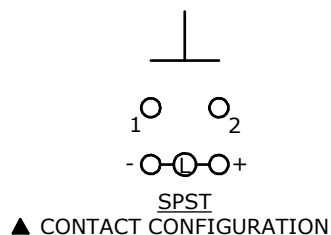
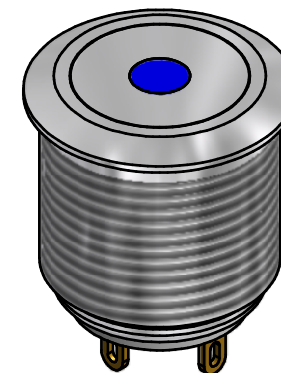
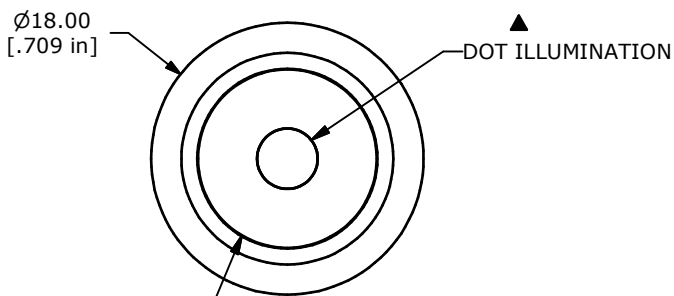


| SWITCH FUNCTION |        |
|-----------------|--------|
| POS. 1          | POS. 2 |
|                 |        |
| OFF             | (ON)   |
| OPEN            | 1-2    |

(ON) = MOMENTARY



NOTE 15  
HARDWARE SUPPLIED

- NOTE:
- ALL DIMENSIONS IN MM [INCH]
  - GENERAL TOLERANCE: X.X=±0.4  
X.XX=±0.25
  - TERMINAL NUMBERS FOR REF ONLY
  - CONTACT MATERIAL: GOLD PLATED
  - RATING: 2A 48VDC
  - ELECTRIC LIFE: 200,000 MAKE-AND-BREAK CYCLES AT FULL LOAD.
  - INSULATION RESISTANCE: 1,000 MΩ MIN.
  - DIELECTRIC STRENGTH: 2,000 VAC MIN. FOR 1 MINUTE
  - CONTACT RESISTANCE: 50mΩ MAX. @ 1A 12VDC
  - OPERATING TEMP.: -20°C to 55°C
  - TRAVEL: 1.8mm
  - ▲ DENOTES CRITICAL PARAMETER.
  - ILLUMINATION COLOR: BLUE
  - HARDWARE SUPPLIED: O-RING AND HEXNUT (NOT SHOWN)
  - ILLUMINATION BASE RATING: 20mA 2.8V
  - 2002/95/EC (ROHS) COMPLIANT



TITLE PV6F240SSG-241

|     |        |                        |        |     |
|-----|--------|------------------------|--------|-----|
| A   | 21168  | RELEASE FOR PRODUCTION | 7/3/13 | EBP |
| REV | PCR NO | DESCRIPTION            | DATE   | BY  |

|       |                  |           |                         |          |
|-------|------------------|-----------|-------------------------|----------|
| SCALE | DATE<br>7/3/2013 | DR<br>EBP | DWG<br>52-PV6F240SSG241 | REV<br>A |
|-------|------------------|-----------|-------------------------|----------|

THE INFORMATION CONTAINED IN THIS DOCUMENT IS PROPRIETARY TO E-SWITCH AND IS NOT TO BE COPIED OR TRANSFERRED