

mat'l. code		tolerances unless otherwise specified		CUSTOMER COPY		title	
itr	ecn no	dr	date	Part no.	linear	projection	www.fciconnect.com
A	103-0403	J.C	9/17/03	.XX ±.20	.XXX ±.10	MM	USB A TYPE DOUBLE DECK RECEPTACLE T/M CONNECTOR
				° ±.3°	0° ±.3°		product family
				engr	JASMINE CHANG 9/17/03	scale	USB
				chr	ROGER LIN 9/17/03		size: dwg no
				qcpd	ROGER LIN 9/17/03	N/A	10034010
sheet	revision	A	A				sheet
index	sheet	1	2				1 of 2

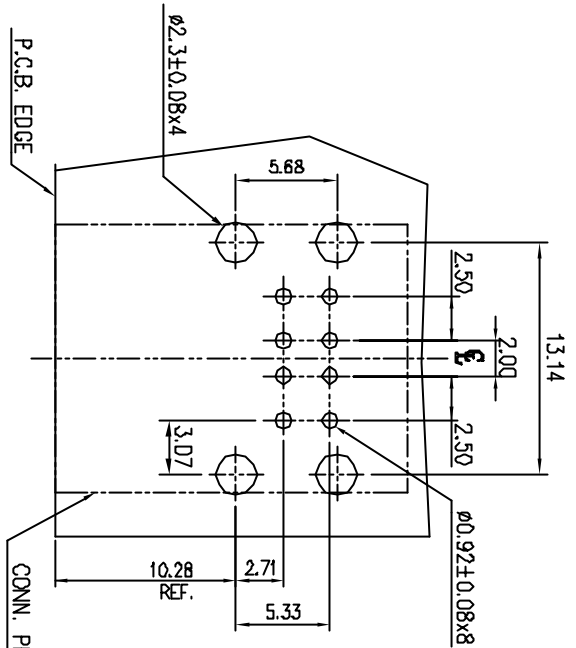
ACAD

3

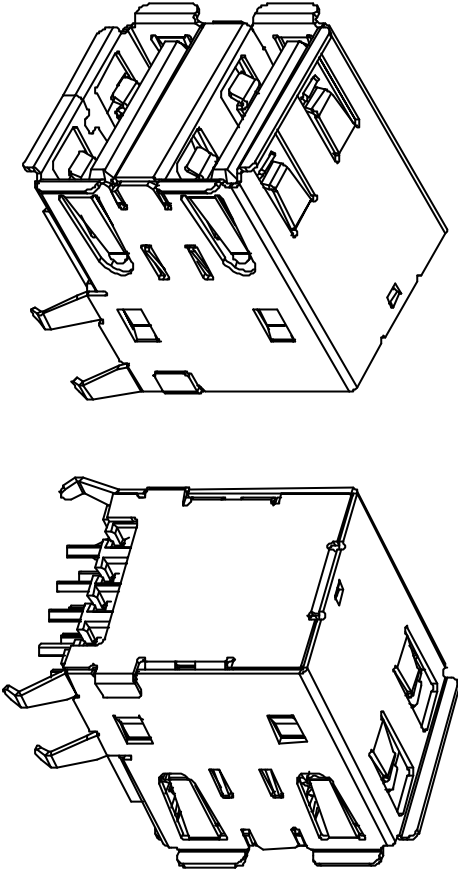
code code  
22526

4

PROJND  
SEE NOTES



RECOMMENDED P.C.B. LAYOUT  
(TOP VIEW)  
General Tolerance ± 0.05



MATERIAL:

- ⊙ HOUSING: THERMOPLASTIC, GLASS FIBER UL 94V-0 RATED.
- ⊙ CONTACT: COPPER ALLOY.
- ⊙ FRONT SHIELD: BRASS.
- REAR SHIELD: SPCC.
- ⊙ GROUNDING STRIP: BRASS.

FINISH:

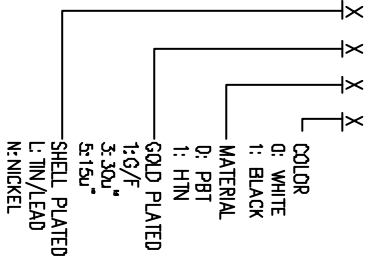
- CONTACT: TIN/LEAD PLATED IN SOLDERING AREA, GOLD PLATED IN CONTACT AREA.
- SHIELD : TIN/LEAD PLATED, NICKEL PLATED.

SPECIFICATIONS:

1. ELECTRICAL  
CONTACT RESISTANCE : 30 mohms MAX.  
DIELECTRIC WITHSTANDING VOLTAGE: 500 VAC AT SEA LEVEL  
INSULATION RESISTANCE: 1000 Mohms MIN.
2. MECHANICAL:  
MATING FORCE: 3.57KG MAX.  
UNMATING FORCE: 1.02KG MIN.

PART NO. DESCRIPTION:

10034010 - X X X X



mat'l. code	tolerances unless otherwise specified	CUSTOMER COPY	title
itr	Part no. linear	projection	USB A TYPE DOUBLE DECK RECEPTACLE T/M CONNECTOR
A	.XX ±.20 .XXX ±.10 OF ±Z"	MM	product family USB
	design	scale	size/dwg no
	chngt JASMINE CHANG 9/17/03*	N/A	10034010
	chngt ROGER LIN 9/17/03*		sheet 2 of 2
	chngt ROGER LIN 9/17/03*		
sheet	revision		
index	sheet		

ACAD

cage code  
22526