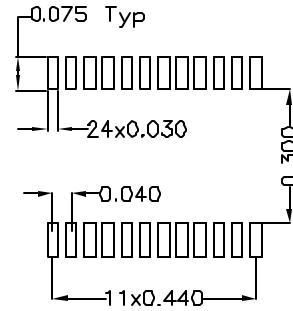
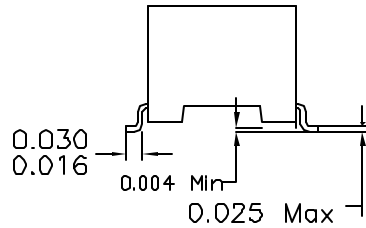
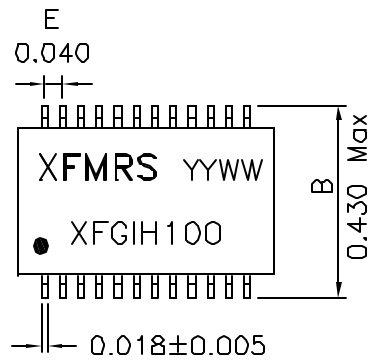
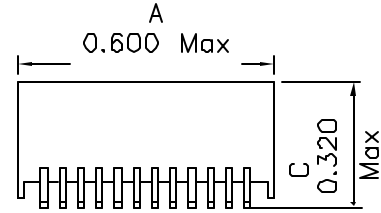
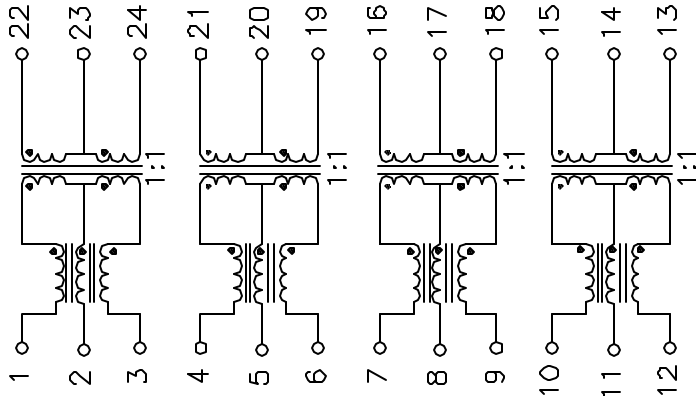


1. Mechanical Dimensions:



SUGGESTED PAD LAYOUT

2. Schematic:



DOC REV: A/3

3. Electrical Specifications: @25°C

- ISOLATION: 1500 Vrms
- TURNS RATIO: (PRI/SEC) 1CT:1CT ±2%
- OCL: 350uH MIN @100KHz 100mV 8mADC
- INSERTION LOSS: 1.2dB MAX @100KHz
1.4dB MAX @1-125MHz
- RETURN LOSS: 16dB Min @0.1-40MHz
11dB Min @40-100MHz
- Differential to Common Mode Rejection:
50dB Min @2MHz
44dB Min @30-200MHz
- Crosstalk: 50dB Min @1MHz
56dB Min @10-100MHz
- DCR: 1/2 winding: 0.65 Ohms Max each
- DCR CT Unbalance: +/-0.065 Ohms Max each

Notes:

1. Solderability: Leads shall meet MIL-STD-202G, Method 208H for solderability.
2. Flammability: UL94V-0
3. ASTM oxygen index: > 28%
4. Insulation System: Class F 155°C. UL file E151556
5. Operating Temperature Range: All listed parameters are to be within tolerance from -40°C to +85°C
6. Storage Temperature Range: -55°C to +125°C
7. Aqueous wash compatible
8. SMD Lead Coplanarity: ±0.004"(0.102mm)
9. Electrical and mechanical specifications 100% tested
10. RoHS Compliant Component

XFMRS Inc www.XFMRS.com	Title: 1000BASE-T Modules		
	UNLESS OTHERWISE SPECIFIED TOLERANCES:	P/N: XFGIH100	REV. A
.xxx ±0.010	DWN.	Juan Mao	Nov-12-07
Dimensions in INCH	CHK.	YK Liao	Nov-12-07
SCALE 2:1 SHT 1 OF 1	APP.	MS	Nov-12-07