

# Synthi AKS MEMORY I.C.'s

Earlier versions of the KS used 6x MF7104 serial shift registers (10 lead metal can). Later versions used 3xMM5056N (DIP10) or possibly 3xMM5056H(10 lead metal can) serial shift registers.

## MM5056N (DIP 10)    MM5056H(10 lead Can)

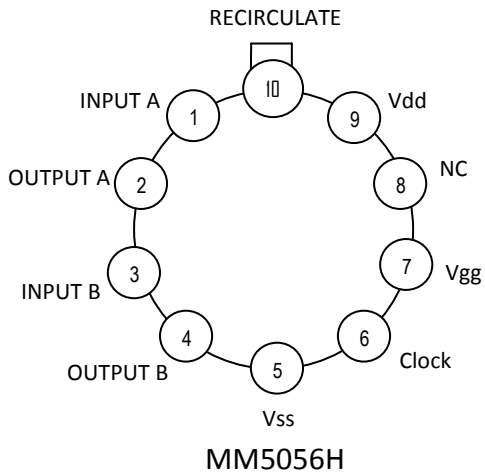
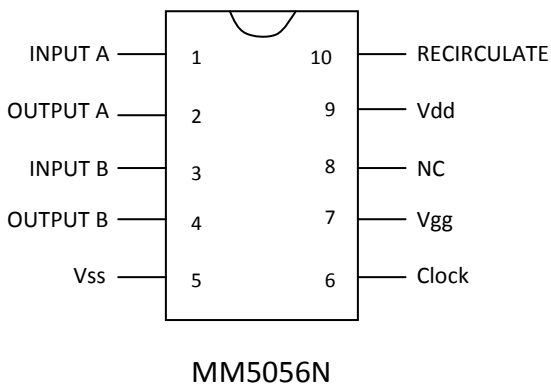
Data taken from the MSI-LSI MEMORY D.A.T.A BOOK 1976 (10<sup>th</sup> Edition).

256 bits per registers

1

4 registers

(Note Vss, Vdd and Vgg are all power supply pins.)



### LOGIC BLOCK

