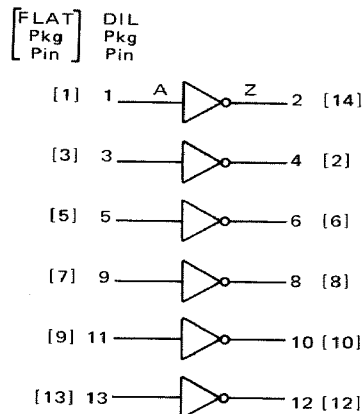
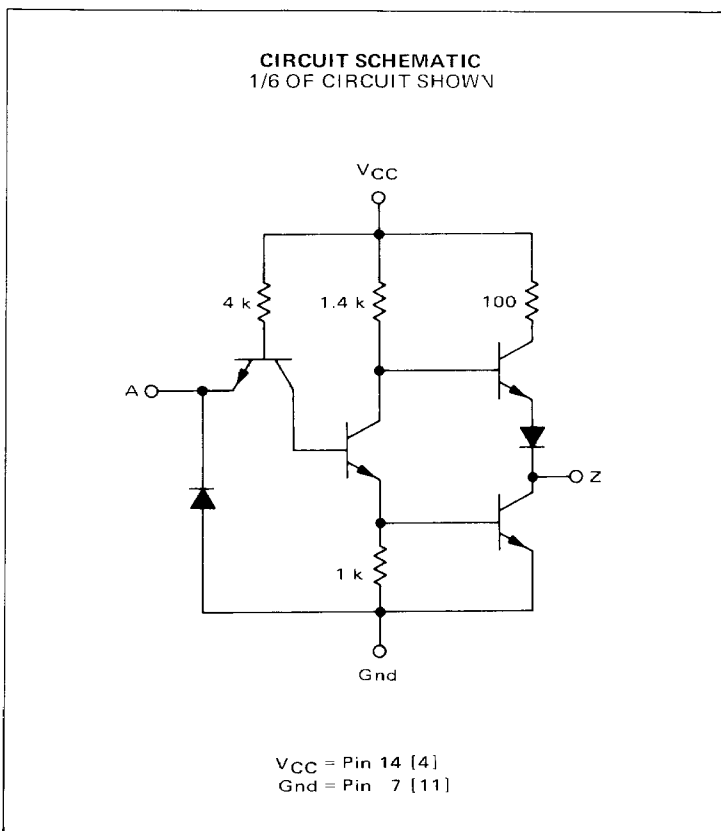




MC5404 • MC7404

2
4468
004468
ORIG
MOT

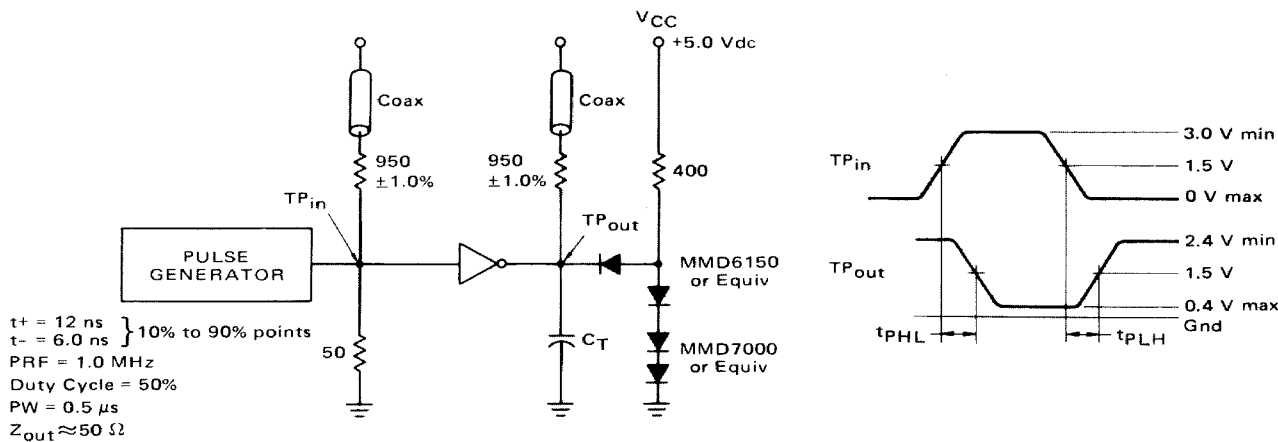
Add Suffix F for TO-86 ceramic package (Case 607).
 Suffix L for TO-116 ceramic package (Case 632).
 Suffix P for TO-116 plastic package (Case 646) MC7404 only.



Positive Logic: $Z = \bar{A}$

Input Loading Factor = 1
 Output Loading Factor = 10
 Total Power Dissipation = 60 mW typ/pkg
 Propagation Delay Time = 13 ns typ

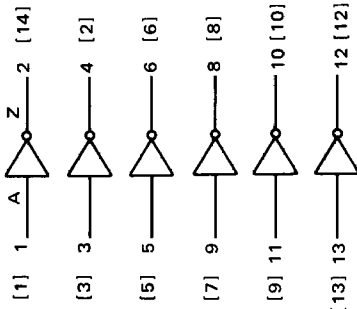
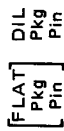
SWITCHING TIME TEST CIRCUIT AND WAVEFORMS



$C_T = 15 \text{ pF}$ = total parasitic capacitance, which includes probe, wiring, and load capacitances.
 The coax delays from input to scope and output to scope must be matched. The scope must be terminated in 50-ohm impedance. The 950-ohm resistor and the scope termination impedance constitute a 20:1 attenuator probe. Coax shall be CT-070-50 or equivalent.

ELECTRICAL CHARACTERISTICS

Test procedures are shown for only one inverter. The other inverters are tested in the same manner.



V = VCC = Pin 14 [4]
Gnd = Pin 7 [11]

Characteristic	Symbol	Pin Under Test	TEST CURRENT/VOLTAGE VALUES (All Temperatures)						mA	TEST CURRENT/VOLTAGE APPLIED TO PINS LISTED BELOW:												Pin 7 [11] is grounded for all tests in addition to the pins listed below:
			Volts																			
			I _{OL}	I _{OH}	V _{IL}	V _{IH}	V _{IHH}	V _{R1}		V _{R2}	V _{th1}	V _{th0}	V _{CC}	V _{ccl}	V _{CCH}							
Input Forward Current	I _F	A	16	-0.4	0.4	2.4	5.5	4.5	4.5	5.0	2.0	0.8	5.0	4.75	5.50	Gnd						
			16	-0.4	0.4	2.4	5.5	4.5	5.0	2.0	0.8	5.0	4.75	5.25								
Leakage Current	I _{R1}	A	TEST CURRENT/VOLTAGE APPLIED TO PINS LISTED BELOW:												Gnd							
			I _{OL}	I _{OH}	V _{IL}	V _{IH}	V _{IHH}	V _{R1}	V _{R2}	V _{th1}	V _{th0}	V _{CC}	V _{ccl}	V _{CCH}								
			-	-	-	A	-	-	-	-	-	-	-	-		-						
Output	V _{OL}	Z	TEST CURRENT/VOLTAGE APPLIED TO PINS LISTED BELOW:												Gnd							
			I _{OL}	I _{OH}	V _{IL}	V _{IH}	V _{IHH}	V _{R1}	V _{R2}	V _{th1}	V _{th0}	V _{CC}	V _{ccl}	V _{CCH}								
			Z	-	-	-	-	-	-	A	-	-	V	-		-						
Short-Circuit Current	I _{OS} [†]	Z	2.4	-	2.4	-	-	-	-	-	-	-	-	-	A, Z*							
			-20	-55	mAdc	-18	-	-	-	-	-	-	-	-	-							
Power Requirements (Total Device)	I _{PDH}	V	TEST CURRENT/VOLTAGE APPLIED TO PINS LISTED BELOW:												Gnd							
			I _{PDH}	I _{PDH}	V _{IL}	V _{IH}	V _{IHH}	V _{R1}	V _{R2}	V _{th1}	V _{th0}	V _{CC}	V _{ccl}	V _{CCH}								
Power Supply Drain	I _{PDL}	V	-	-	-	-	-	-	-	-	-	-	-	-	All Inputs							
Switching Parameters	t _{PHL}	A, Z	TEST CURRENT/VOLTAGE APPLIED TO PINS LISTED BELOW:												Gnd							
			Pulse In	Pulse Out	I _{OL}	I _{OH}	V _{IL}	V _{IH}	V _{IHH}	V _{R1}	V _{R2}	V _{th1}	V _{th0}	V _{CC}		V _{ccl}	V _{CCH}					
			A	Z	-	-	-	-	-	-	-	-	-	-		-	-	-				
Turn-On Delay	t _{PLH}	A, Z	TEST CURRENT/VOLTAGE APPLIED TO PINS LISTED BELOW:												Gnd							
			A	Z	-	-	-	-	-	-	-	-	-	-		-	-					
Turn-Off Delay	t _{PLH}	A, Z	TEST CURRENT/VOLTAGE APPLIED TO PINS LISTED BELOW:												Gnd							
			A	Z	-	-	-	-	-	-	-	-	-	-		-	-					

MC5404
MC7404

MC5404 Test Limits
-55 to +125°C

MC7404 Test Limits
0 to +70°C

* Ground inputs to inverters not under test.
** Tested only at 25°C.
† Only one output should be shorted at a time.



MOTOROLA Semiconductor Products Inc.

BOX 20912 • PHOENIX, ARIZONA 85036 • A SUBSIDIARY OF MOTOROLA INC.

4204-44 PRINTED IN USA 3000 IMPERIAL LITHO 828038 3500