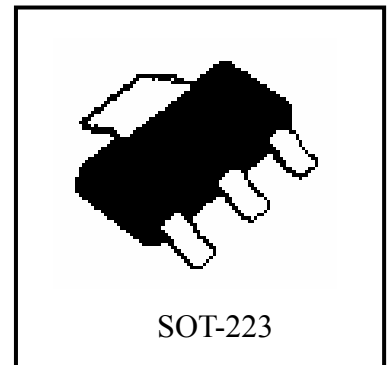


Three Terminal Medium Current Positive Voltage Regulators LM78M05L3



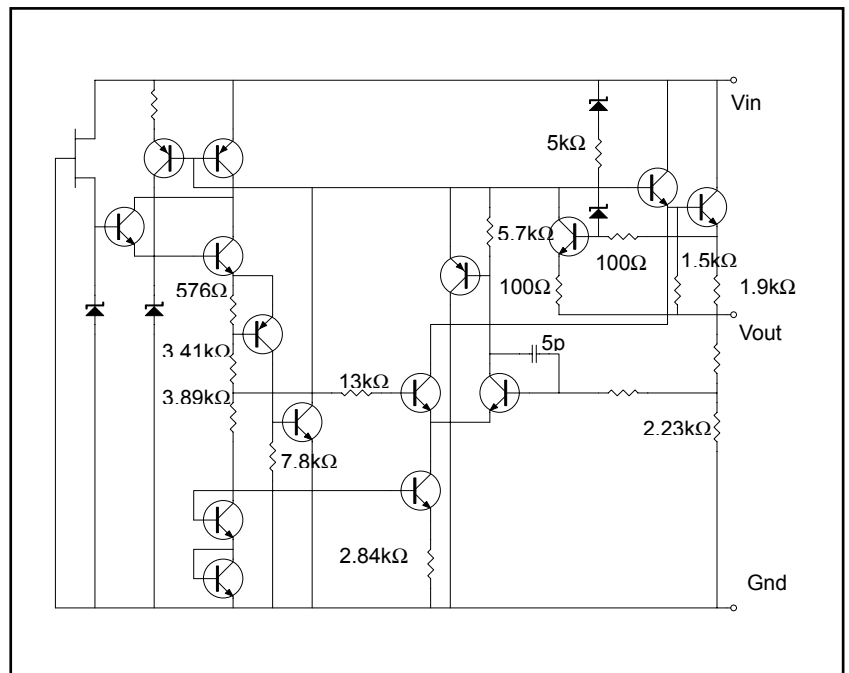
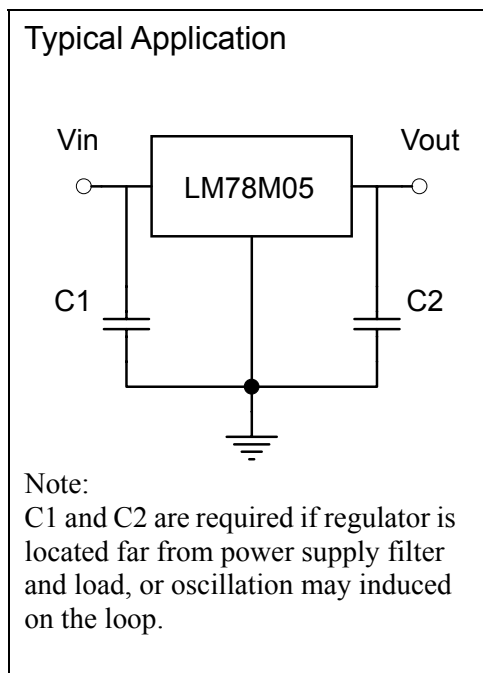
Description

These regulators employ internal current-limiting and thermal-shutdown, making them essentially indestructible. They can deliver up to 500mA output current, if the case temperature can be kept at $T_c=25^{\circ}\text{C}$.

They are intended as fixed voltage regulators in a wide range of applications including local (on-card) regulation for elimination of noise and distribution problems associated with single-point regulation. In addition, they can be used with power pass elements to make high-current voltage regulators. The LM78M05L3 used as a Zener diode/resistor combination replacement, offers an effective output impedance improvement of typically two orders of magnitude, along with lower quiescent current and lower noise.

Absolute Maximum Ratings ($T_a=25^{\circ}\text{C}$)

- Input Voltage..... 30 V
- Total Power Dissipation..... Internally limited
- Operating Temperature Range..... 0°C to $+125^{\circ}\text{C}$
- Maximum Junction Temperature..... 125°C
- Storage Temperature Range..... -55°C to $+150^{\circ}\text{C}$



**Ordering Information**

Device	Output Voltage Tolerance	Output Voltage Range	Shipping	Marking
LM78M05AL3	± 3%	4.85V~5.15V	2500 pcs / Tape& Reel	7805
LM78M05BL3	± 5%	4.75V~5.25V	2500 pcs / Tape& Reel	7805

Electrical Characteristics

$V_{in}=10V$, $I_{out}=350mA$, $P_D\leq 5W$, $0^\circ C\leq T_j\leq 125^\circ C$, $C_{in}=0.33\mu F$, $C_{out}=0.1\mu F$ (unless otherwise noted)

Symbol	Parameter	Conditions	LM78M05A			Units
			Min	Typ	Max	
V_o	Output Voltage	$T_j=25^\circ C$	4.85	-	5.15	V
		$5mA\leq I_o\leq 350mA$ and $7V\leq V_{in}\leq 20V$	4.75	-	5.25	
ΔV_o	Line Regulation	$T_j=25^\circ C$, $7V\leq V_{in}\leq 25V$	-	3	100	mV
		$T_j=25^\circ C$, $8V\leq V_{in}\leq 25V$	-	-	50	
ΔV_o	Load Regulation	$T_j=25^\circ C$, $5mA\leq I_o\leq 500mA$	-	15	100	mV
		$T_j=25^\circ C$, $5mA\leq I_o\leq 200mA$	-	-	50	
I_Q	Quiescent Current	$T_j=25^\circ C$	-	3.2	6	mA
ΔI_Q	Quiescent Current Change	$5mA\leq I_o\leq 350mA$	-	-	0.5	mA
		$8V\leq V_{in}\leq 25V$, $I_o=200mA$	-	-	0.8	
V_n	Output Noise Voltage	$T_a=25^\circ C$, $10Hz\leq f\leq 10KHz$	-	40	100	uV
RR	Ripple Rejection	$8V\leq V_{in}\leq 18V$, $I_o=300mA$, $f=120Hz$	62	78	-	dB
V_D	Dropout Voltage	$T_j=25^\circ C$, $I_o=500mA$	-	2	-	V
I_{OS}	Output Short Circuit Current	$T_j=25^\circ C$, $V_{in}=30V$		300		mA
I_{MAX}	Peak Output Current	$T_j=25^\circ C$		700		mA
TCV_o	Temperature Coefficient of Output Voltage	$I_o=5mA$		-1.1		mV/°C



Symbol	Parameter	Conditions	LM78M05B			Units
			Min	Typ	Max	
Vo	Output Voltage	Tj=25°C	4.75	5.00	5.25	V
		5mA≤Io≤350mA and 7V≤Vin≤20V	4.75	-	5.25	
ΔVo	Line Regulation	Tj=25°C, 7V≤Vin≤25V	-	3	100	mV
		Tj=25°C, 8V≤Vin≤25V	-	-	50	
ΔVo	Load Regulation	Tj=25°C, 5mA≤Io≤500mA	-	15	100	mV
		Tj=25°C, 5mA≤Io≤200mA	-	-	50	
Iq	Quiescent Current	Tj=25°C	-	3.2	6	mA
ΔIq	Quiescent Current Change	5mA≤Io≤350mA	-	-	0.5	mA
		8V≤Vin≤25V, Io=200mA	-	-	0.8	
Vn	Output Noise Voltage	Ta=25°C, 10Hz≤f≤10KHz	-	40	100	uV
RR	Ripple Rejection	8V≤Vin≤18V, Io=300mA, f=120Hz	62	78	-	dB
V _D	Dropout Voltage	Tj=25°C, Io=500mA	-	2	-	V
I _{OS}	Output Short Circuit Current	Tj=25°C, Vin=30V		300		mA
I _{MAX}	Peak Output Current	Tj=25°C		700		mA
TCVo	Temperature Coefficient of Output Voltage	Io=5mA		-1.1		mV/°C

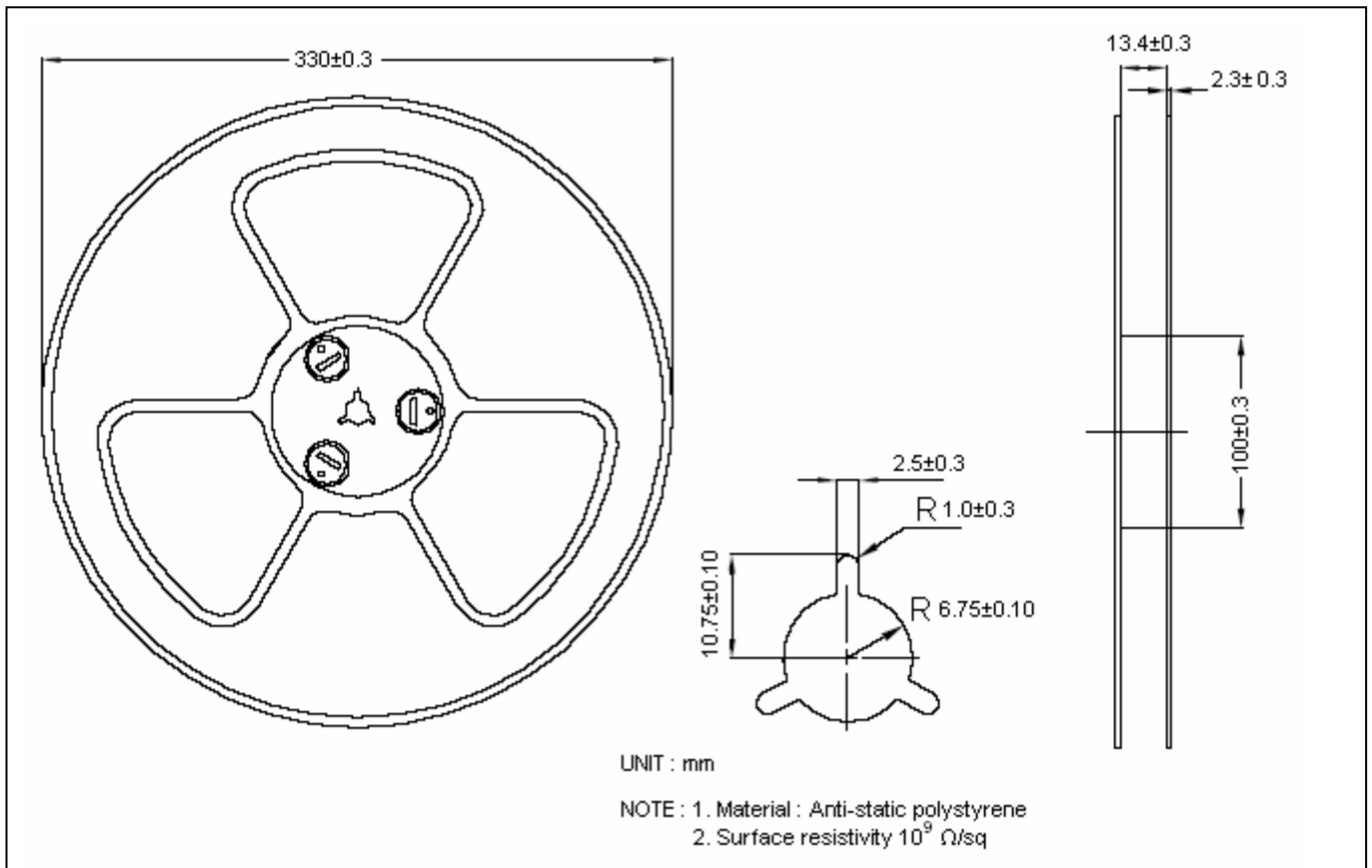
Moisture Sensitivity Level : conform to JEDEC level 3

Recommended Storage Condition:

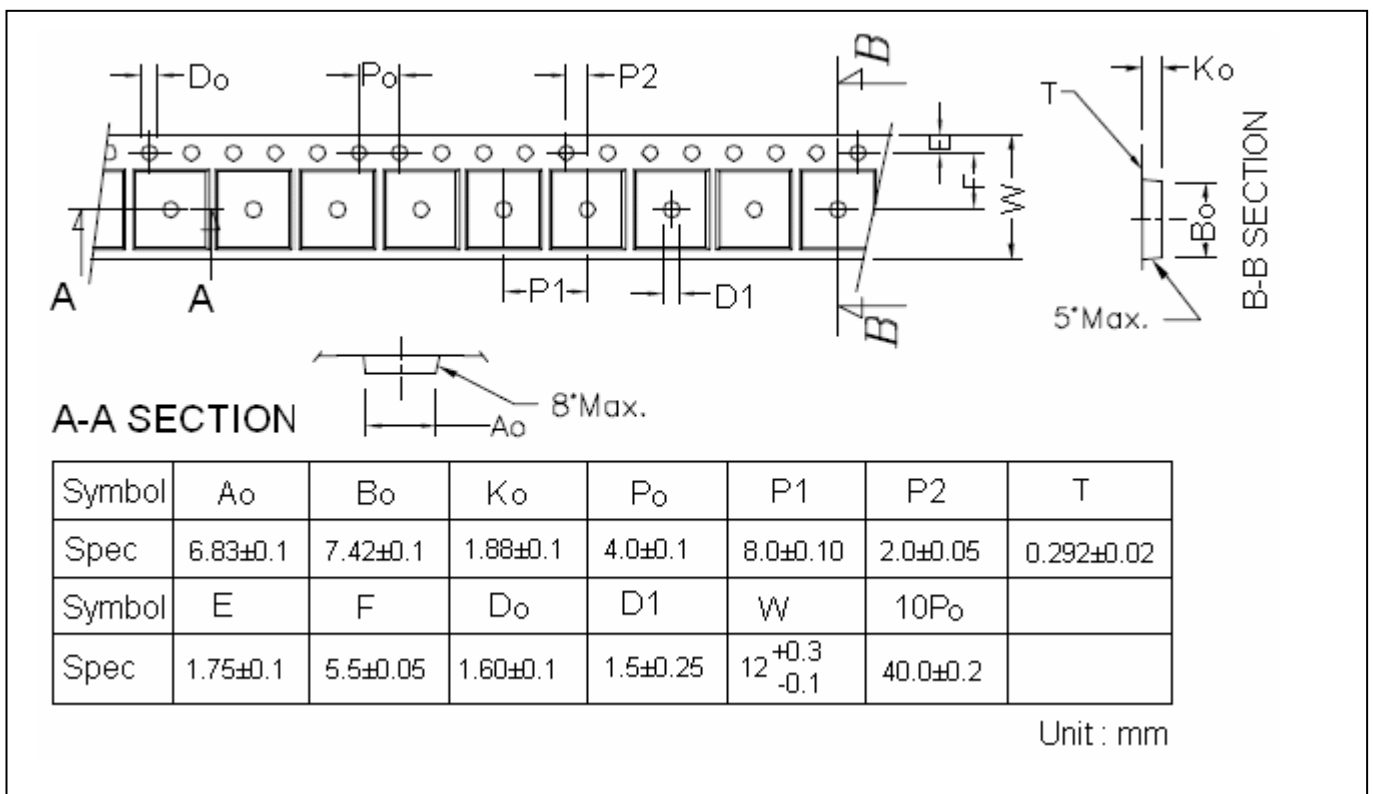
Temperature : ≤ 30 °C

Humidity : ≤ 60% RH

Reel Dimension



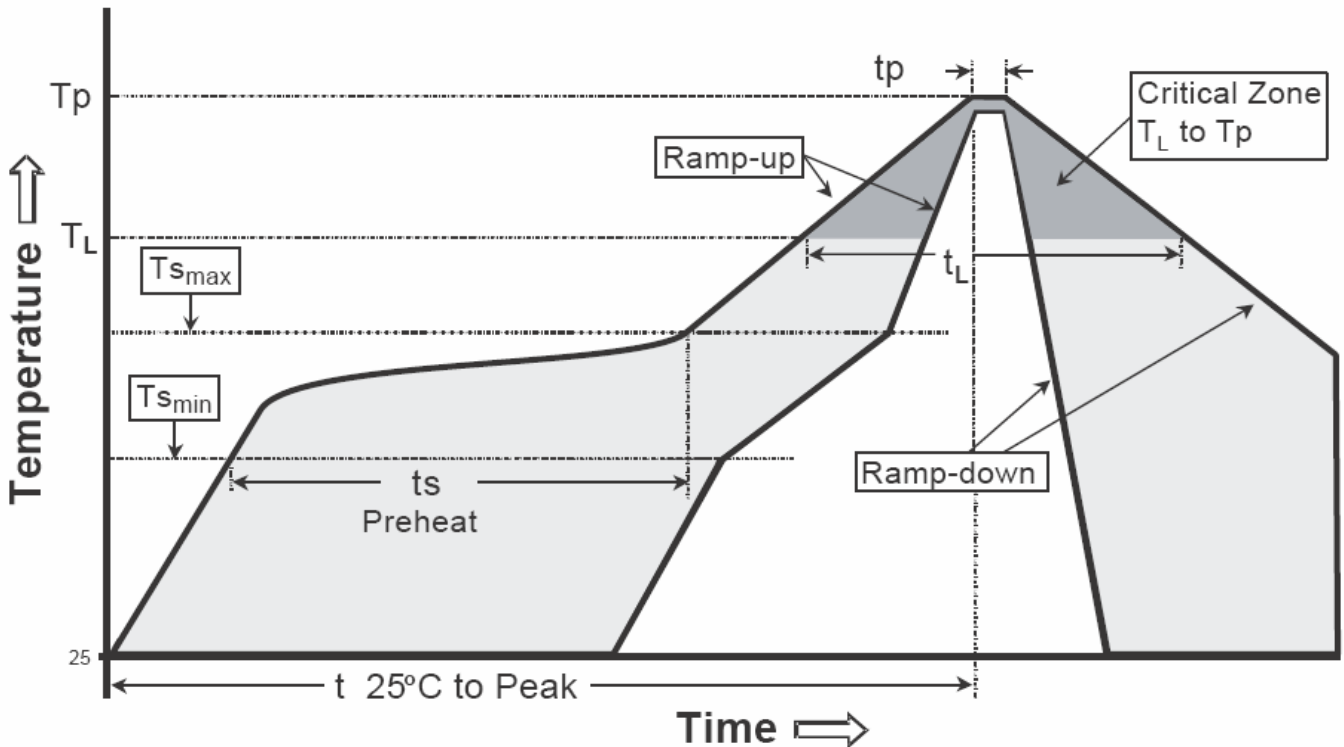
Carrier Tape Dimension



Recommended wave soldering condition

Product	Peak Temperature	Soldering Time
Pb-free devices	260 +0/-5 °C	5 +1/-1 seconds

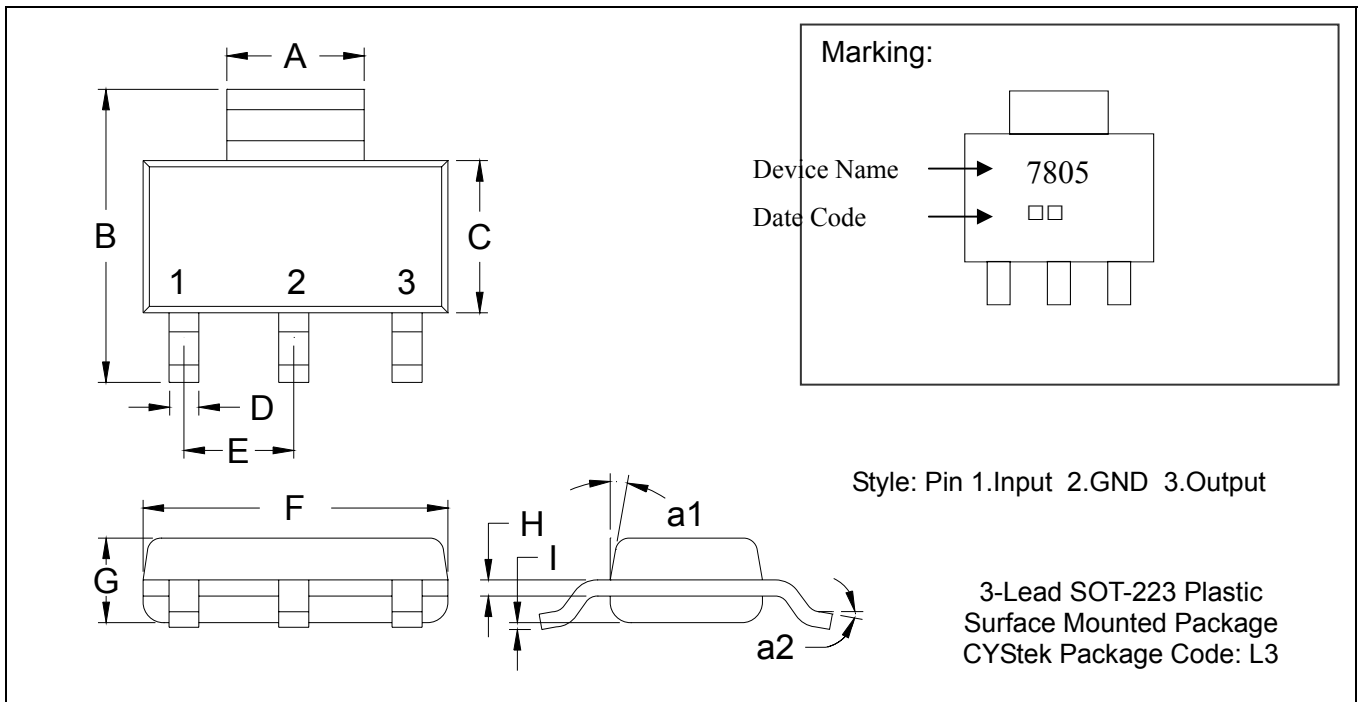
Recommended temperature profile for IR reflow



Profile feature	Sn-Pb eutectic Assembly	Pb-free Assembly
Average ramp-up rate (T _{smax} to T _p)	3°C/second max.	3°C/second max.
Preheat		
-Temperature Min(T _{s min})	100°C	150°C
-Temperature Max(T _{s max})	150°C	200°C
-Time(t _{s min} to t _{s max})	60-120 seconds	60-180 seconds
Time maintained above:		
-Temperature (T _L)	183°C	217°C
- Time (t _L)	60-150 seconds	60-150 seconds
Peak Temperature(T _P)	240 +0/-5 °C	260 +0/-5 °C
Time within 5°C of actual peak temperature(tp)	10-30 seconds	20-40 seconds
Ramp down rate	6°C/second max.	6°C/second max.
Time 25 °C to peak temperature	6 minutes max.	8 minutes max.

Note : All temperatures refer to topside of the package, measured on the package body surface.

SOT-223 Dimension



*: Typical

DIM	Inches		Millimeters		DIM	Inches		Millimeters	
	Min.	Max.	Min.	Max.		Min.	Max.	Min.	Max.
A	0.1142	0.1220	2.90	3.10	G	0.0551	0.0709	1.40	1.80
B	0.2638	0.2874	6.70	7.30	H	0.0098	0.0138	0.25	0.35
C	0.1299	0.1457	3.30	3.70	I	0.0008	0.0039	0.02	0.10
D	0.0236	0.0315	0.60	0.80	a1	*13°	-	*13°	-
E	*0.0906	-	*2.30	-	a2	0°	10°	0°	10°
F	0.2480	0.2638	6.30	6.70					

Notes: 1.Controlling dimension: millimeters.
 2.Maximum lead thickness includes lead finish thickness, and minimum lead thickness is the minimum thickness of base material.
 3.If there is any question with packing specification or packing method, please contact your local CYStek sales office.

Material:

- Lead: A194; tin plating
- Mold Compound: Epoxy resin family, flammability solid burning class: UL94V-0

Important Notice:

- All rights are reserved. Reproduction in whole or in part is prohibited without the prior written approval of CYStek.
- CYStek reserves the right to make changes to its products without notice.
- CYStek **semiconductor products are not warranted to be suitable for use in Life-Support Applications, or systems.**
- CYStek assumes no liability for any consequence of customer product design, infringement of patents, or application assistance.