

L - 0.375 LONG BUSHING

ML - "M" - GOLD PLATED SPRINGS WITH GOLD ALLOY CONTACTS ON RING SPRINGS AND SHUNT SPRINGS (WHEN SHUNTS ARE USED)

"L" - 0.375 LONG BUSHING

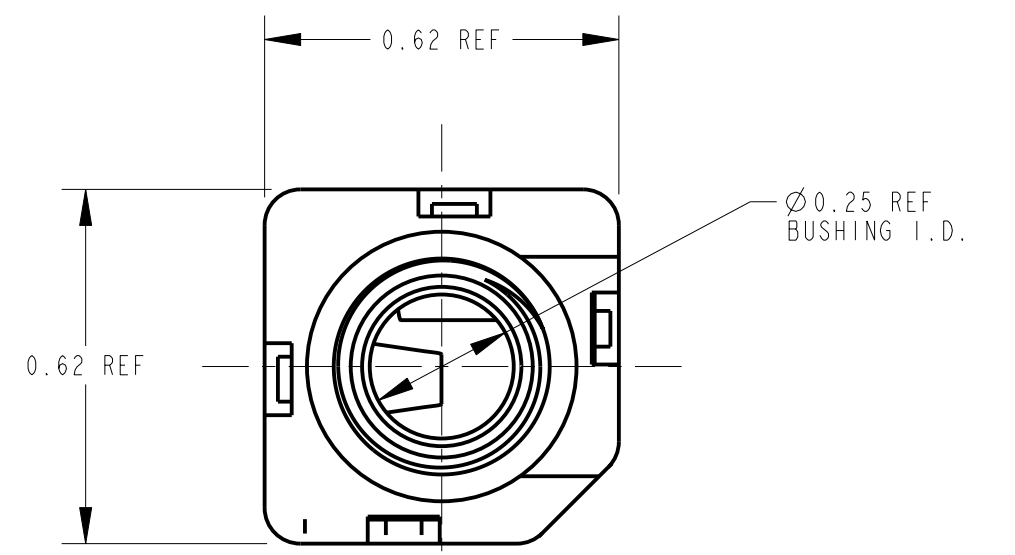
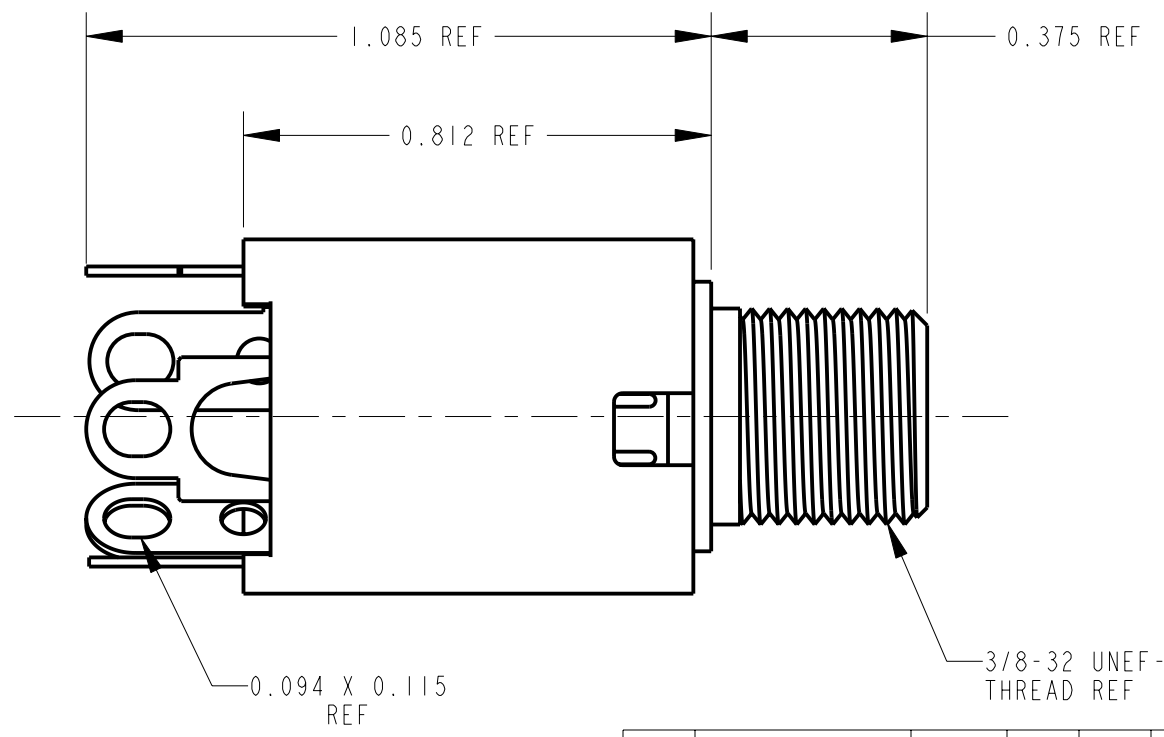
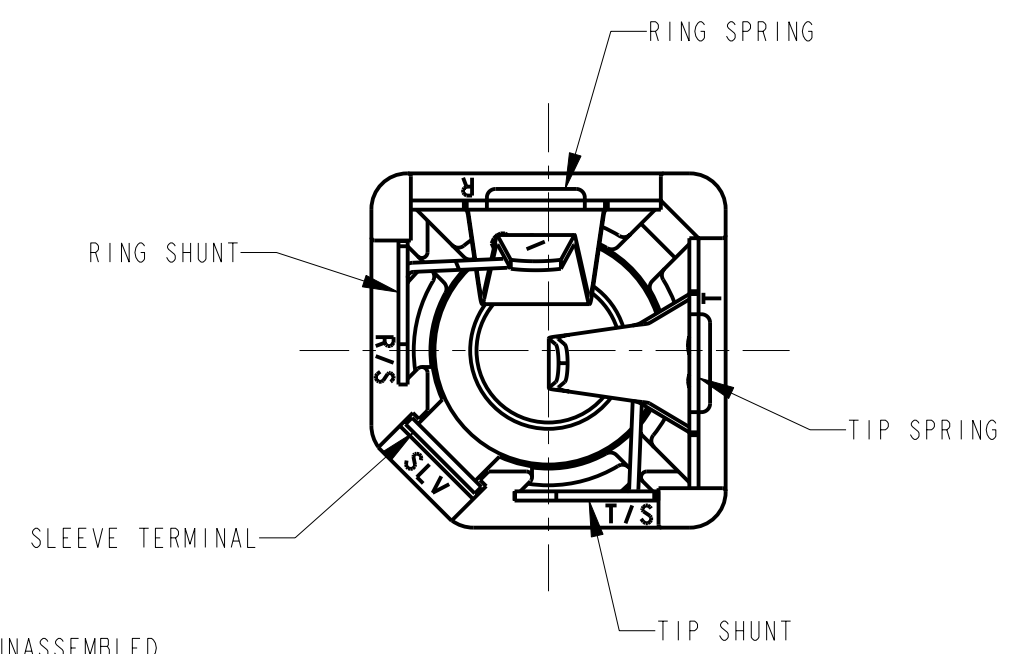
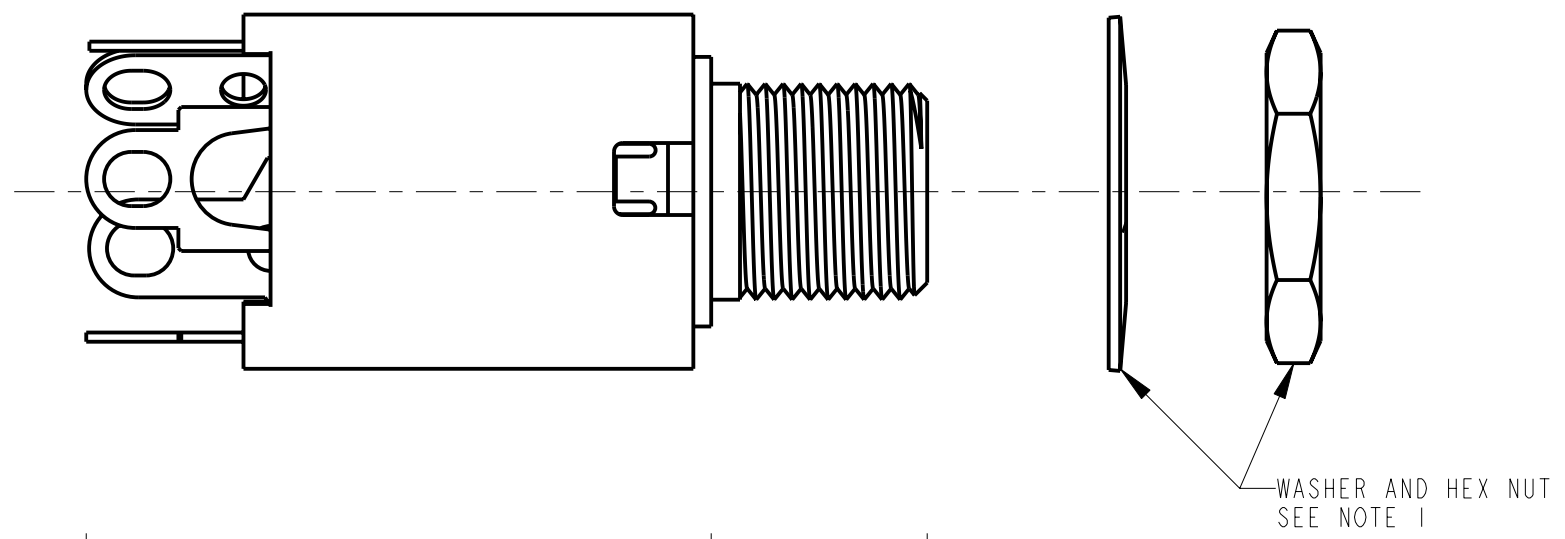
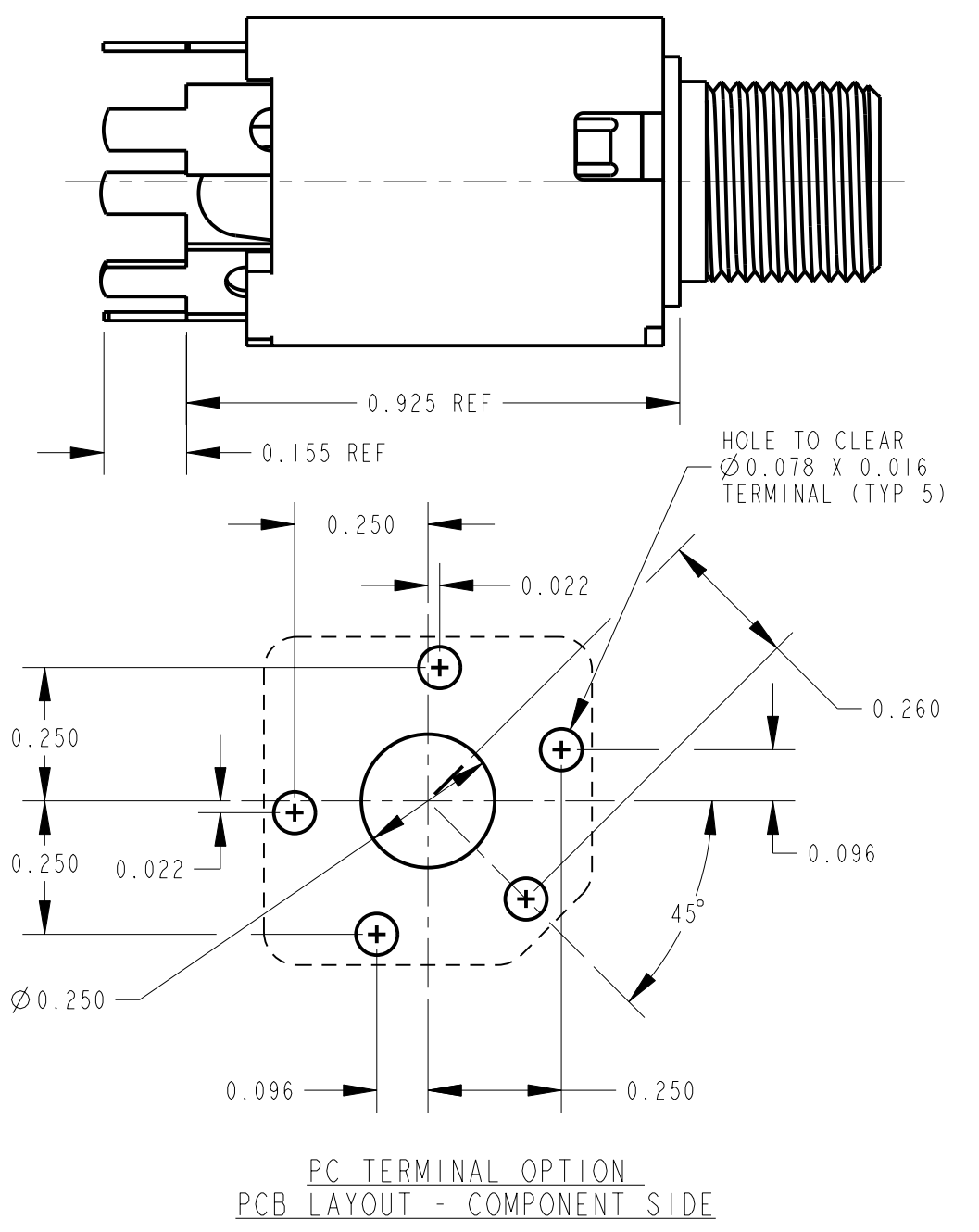
11

X R0HS COMPLIANT

TERMINAL OPTIONS:  
 BLANK - SOLDER TERMINAL  
 PC - 0.078 WIDE PC TAILS  
 PCS - SNAP-IN PC TAILS

CIRCUITRY:

1 - TIP OPEN CIRCUIT	TIP SLEEVE
2A - TIP CLOSED CIRCUIT	TIP SLEEVE
2B - TIP & RING OPEN CIRCUIT	RING TIP SLEEVE
3 - TIP OPEN CIRCUIT AND ISOLATE "MAKE" CIRCUIT	TIP SLEEVE
3B - TIP CLOSED CIRCUIT AND RING OPEN CIRCUIT (I-C TRANSFER)	RING TIP SLEEVE
3D - 1 TIP CLOSED CIRCUIT AND 1 TIP OPEN CIRCUIT	TIP TIP SLEEVE
3E - TIP OPEN CIRCUIT AND ISOLATED "BREAK" CIRCUIT	TIP SLEEVE
3F - TIP OPEN CIRCUIT AND RING CLOSED CIRCUIT	RING TIP SLEEVE
4B - TIP & RING CLOSED CIRCUIT	RING TIP SLEEVE



- NOTES:
- HARDWARE SHIPPED UNASSEMBLED.
  - MAXIMUM PANEL THICKNESS: 0.25
  - MATERIALS:  
 HOUSING - POLYESTER GLASS FILLED, BLACK  
 BUSHING - BRASS, NICKEL PLATED  
 SLEEVE TERMINAL - BRASS, LEAD FREE ELECTRO-TIN PLATED  
 SPRINGS - NICKEL SILVER, LEAD FREE ELECTRO-TIN PLATED  
 LIFTERS - NYLON (113 & 113E CIRCUIT OPTIONS)  
 WASHER - STEEL, NICKEL PLATED  
 NUT - BRASS, NICKEL PLATED
  - THIS PRODUCT IS R0HS COMPLIANT.

STAR SYMBOL DENOTES CRITICAL DIMENSION

UNLESS OTHERWISE SPECIFIED

- ALL DIMENSIONS IN INCHES  
 - TWO PLACE DECIMALS ±0.01  
 - THREE PLACE DECIMALS ±0.005  
 - ANGLES ±1°  
 - ALL DIA. CONCENTRIC WITHIN 0.005 T.I.R.
- FEATURES ON THE SAME CENTERLINE MUST BE ALIGNED WITHIN ±0.002
- REMOVE ALL BURRS

DO NOT SCALE DRAWING

SIZE	WIDTH	MULT	LBS/M	TEMPER
FINISH		MATERIAL		
SPEC No.		SPEC No.		
FIRST USED ON		SCALE		
DATE DRAWN	BY	CHKD	APVD	
26-Oct-06	TJK	TJK	TJK	
		10-26-06	10-26-06	
NAME		PART No.		REV
#3/8-32 THREADED BUSHING - LONG		L110X SERIES		A
Ø0.25 I.D. HI-D JACK ASS'Y, R0HS		ML110X SERIES		

THIS DRAWING DESCRIBES A DESIGN CONSIDERED PROPRIETARY IN NATURE, DEVELOPED AND MANUFACTURED BY SWITCHCRAFT INC. AND IS RELEASED ON A CONFIDENTIAL BASIS FOR IDENTIFICATION PURPOSES ONLY.

Switchcraft®

SHEET | OF |