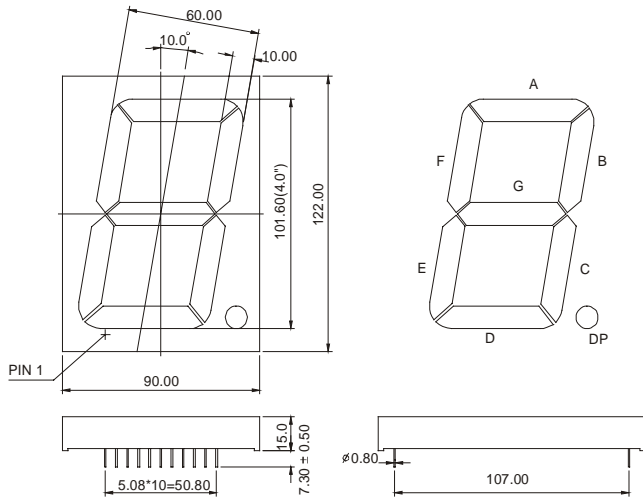
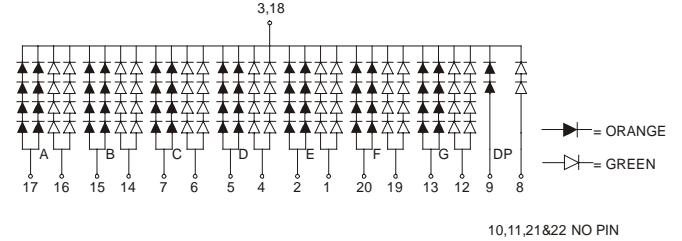


GNS-40011Axx-Bxx (Bi-COLOR DIGIT LED DISPLAY)

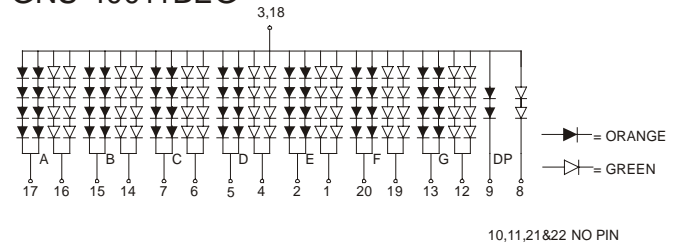
GNS-40011 Series



GNS-40011AEG



GNS-40011BEG



Features:

*4.0 INCH HIGH CHARACTER.

*I.C.

COMPATIBLE .

*EXCELLENT CHARACTER APPEARANCE.

*LO

W POWER CONSUMPTION.

*COMMON CATHODE OR COMMON ANODE.

Part Number	EMITTED COLOR		Common Cathode or Common Anode	Peak Wavelength (nm)	Vf (v) Typ	If (mA)	Intensity Per Segment (mcd)	
							Min.	Typ.
GNS-40011ASG	GaAlAs Super	Red	Common Cathode	660	1.8	20	80	104
	Gap Green			565	2.1	20	64	88
GNS-40011AEG	GaAsP Hi.ef	fi Red		635	2.0	20	72	96
	Gap Green			565 2.1		20	64	88
GNS-40011BSG	GaAlAs Super	Red	Common Anode	660	1.8	20	80	104
	Gap Green			565	2.1	20	64	88
GNS-40011BEG	GaAsP Hi.ef	fi Red		635	2.0	20	72	96
	Gap Green			565 2.1		20	64	88