

DMV-5 SERIES, 5WATT, 2:1 INPUT RANGE

FEATURES:

- ✓ 3 years warranty
- ✓ 1500Vdc isolation voltage
- ✓ Metal case with low ripple and noise
- ✓ Operating temperature range -40°C to +85°C
- ✓ Short circuit and input under voltage protection



Model	Input voltage (Vdc)	Output voltage (Vdc)	Output current (mA)	Efficiency Typ.
DMV5-0511	5(4.5~9)	3.3	1000	82%
DMV5-0512		5	1000	82%
DMV5-0513		9	550	82%
DMV5-0514		12	410	82%
DMV5-0515		15	330	82%
DMV5-0516		24	210	82%
DMV5-0521		±3.3	500	82%
DMV5-0522		±5	500	82%
DMV5-0523		±9	275	82%
DMV5-0524		±12	205	82%
DMV5-0525		±15	165	82%
DMV5-0526		±24	100	82%
DMV5-1211	12(9~18)	3.3	1000	82%
DMV5-1212		5	1000	82%
DMV5-1213		9	550	82%
DMV5-1214		12	410	82%
DMV5-1215		15	330	82%
DMV5-1216		24	210	82%
DMV5-1221		±3.3	500	82%
DMV5-1222		±5	500	82%
DMV5-1223		±9	275	82%
DMV5-1224		±12	205	82%
DMV5-1225		±15	165	82%
DMV5-1226		±24	100	82%
DMV5-2411	24(18~36)	3.3	1000	82%
DMV5-2412		5	1000	82%
DMV5-2413		9	550	82%
DMV5-2414		12	410	82%
DMV5-2415		15	330	82%

DMV-5 SERIES, 5WATT, 2:1 INPUT RANGE

Model	Input voltage (Vdc)	Output voltage (Vdc)	Output Current (mA)	Efficiency Typ.
DMV5-2416	24(18~36)	24	210	82%
DMV5-2421		±3.3	500	82%
DMV5-2422		±5	500	82%
DMV5-2423		±9	275	82%
DMV5-2424		±12	205	82%
DMV5-2425		±15	165	82%
DMV5-2426		±24	100	82%
DMV5-4811	48(36~72)	3.3	1000	82%
DMV5-4812		5	1000	82%
DMV5-4813		9	550	82%
DMV5-4814		12	410	82%
DMV5-4815		15	330	82%
DMV5-4816		24	210	82%
DMV5-4821		±3.3	500	82%
DMV5-4822		±5	500	82%
DMV5-4823		±9	275	82%
DMV5-4824		±12	205	82%
DMV5-4825		±15	165	82%
DMV5-4826		±24	100	82%
DMV5-11011		110(72~144)	3.3	1000
DMV5-11012	5		1000	82%
DMV5-11013	9		550	82%
DMV5-11014	12		410	82%
DMV5-11015	15		330	82%
DMV5-11016	24		210	82%
DMV5-11021	±3.3		500	82%
DMV5-11022	±5		500	82%
DMV5-11023	±9		275	82%
DMV5-11024	±12		205	82%
DMV5-11025	±15		165	82%
DMV5-11026	±24		100	82%

Notes: other input and output models may available on request.

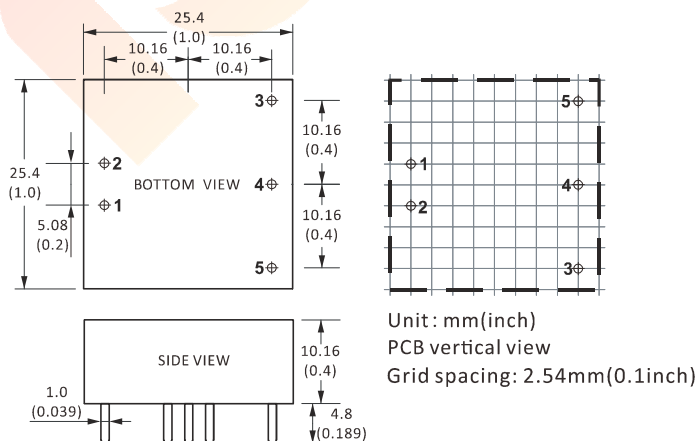
DMV-5 SERIES, 5WATT, 2:1 INPUT RANGE

ELECTRICAL

Output voltage accuracy	---	Vo1, Vo2 : ±1.0%, ±3.0%
Line regulation	Nominal Load, full voltage	Vo1, Vo2 : ±0.2%, ±1.5%
Load regulation	20% ~ 100% full load	Vo1, Vo2 : ±0.5%, ±4.0%
Dynamic response (transient/recovery time)	5%-50%-75% load capability	$\Delta V_{o1}/\Delta t$: ±4.0%/500 μ s
Ripple and noise	20MHz BM, full load	Vo≤5.0V, ≤50mVp-p Vo≥48V, ≤180mVp-p Other, ≤100mVp-p
Operating frequency	Typical value	300KHz typ./330KHz max.
Turn-on delay time	Typical value	≤200ms
Isolation voltage (<0.5mA/min)	Input to output Input to case	1500Vdc 500Vdc
Efficiency	Nominal input, full load	Vo≤5.0V, 80% typ. Vo>5.0V, 82% typ.
Operating temperature range	---	-40°C to +85°C
Storage temperature range	---	-55°C to +120°C
Short circuit protection	---	Auto-recovery
Input under voltage protection	When input voltage is lower than the low terminal input voltage	Auto-recovery
Relative humidity	---	10%-90% max.
MTBF	Bellcore TR-332, 25°C	2x10 ⁵ Hrs

Notes: Unless otherwise specified, all the parameters of the test conditions are as follows: ambient temperature 25°C, the nominal input voltage, pure resistive nominal load.

MECHANICAL



CONNECTION

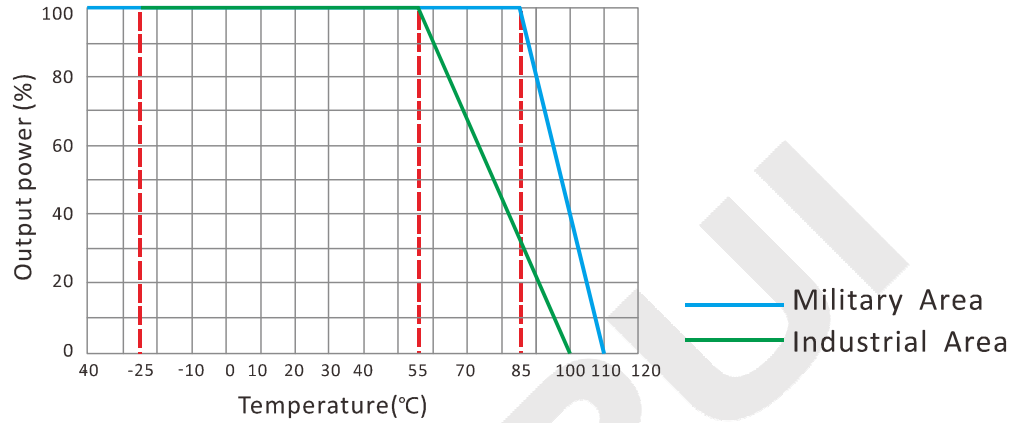
PIN #	SINGLE	DUAL
1	-Vin	-Vin
2	+Vin	+Vin
3	+Vo	+Vo1
4	No Pin	COM
5	GND	-Vo2

Note:

* Unit is mm(inch).

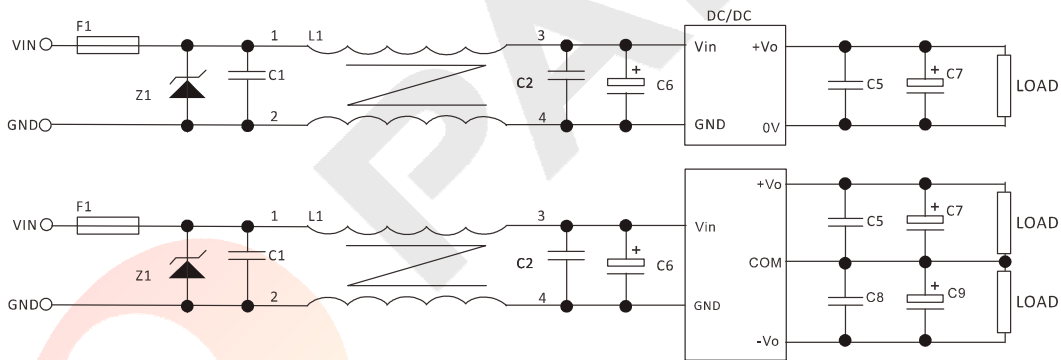
DMV-5 SERIES, 5WATT, 2:1 INPUT RANGE

TEMPERATURE PROFILE



NOTES

RECOMMENDED TEST AND APPLICATION CIRCUIT



FUSE: depends on the actual input current;

TVS: depends on the actual input voltage;

Recommended capacitor: C1,C2,C5,C8, about 0.1uF; C6: 22uF-100uF; C7, C9: 10uF/10mA.