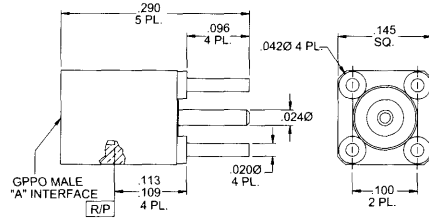


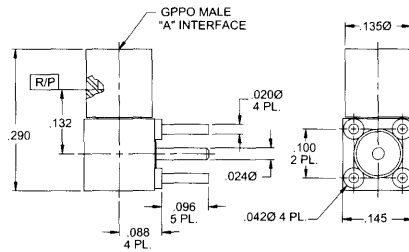
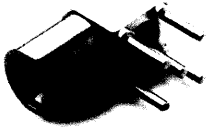
GPPO PCB Mount



Catalog Number	A
B008-L13-01	FD
B008-L15-01	SB

Male PCB 4 Leg
Thru Mount Cap c/c

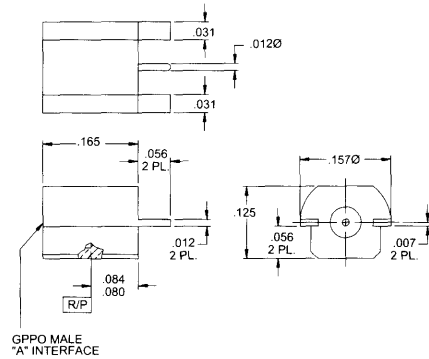
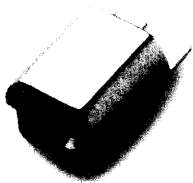
GPPO Right Angle PCB Mount



Catalog Number	A
B009-P33-01	FD
B009-P35-01	SB

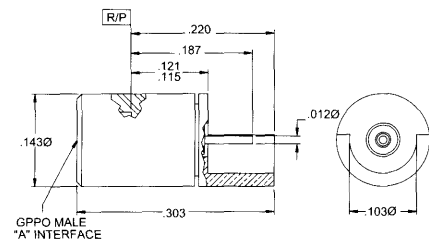
Male R/A PCB 4 Leg
Thru Mount Cap c/c

GPPO Edge Mounts



Catalog Number	A
B010-L13-01	FD
B010-L15-01	SB

Male PCB Edge Mount



Catalog Number	A
B010-L83-02	FD
B010-L85-02	SB

Male PCB Edge Mount