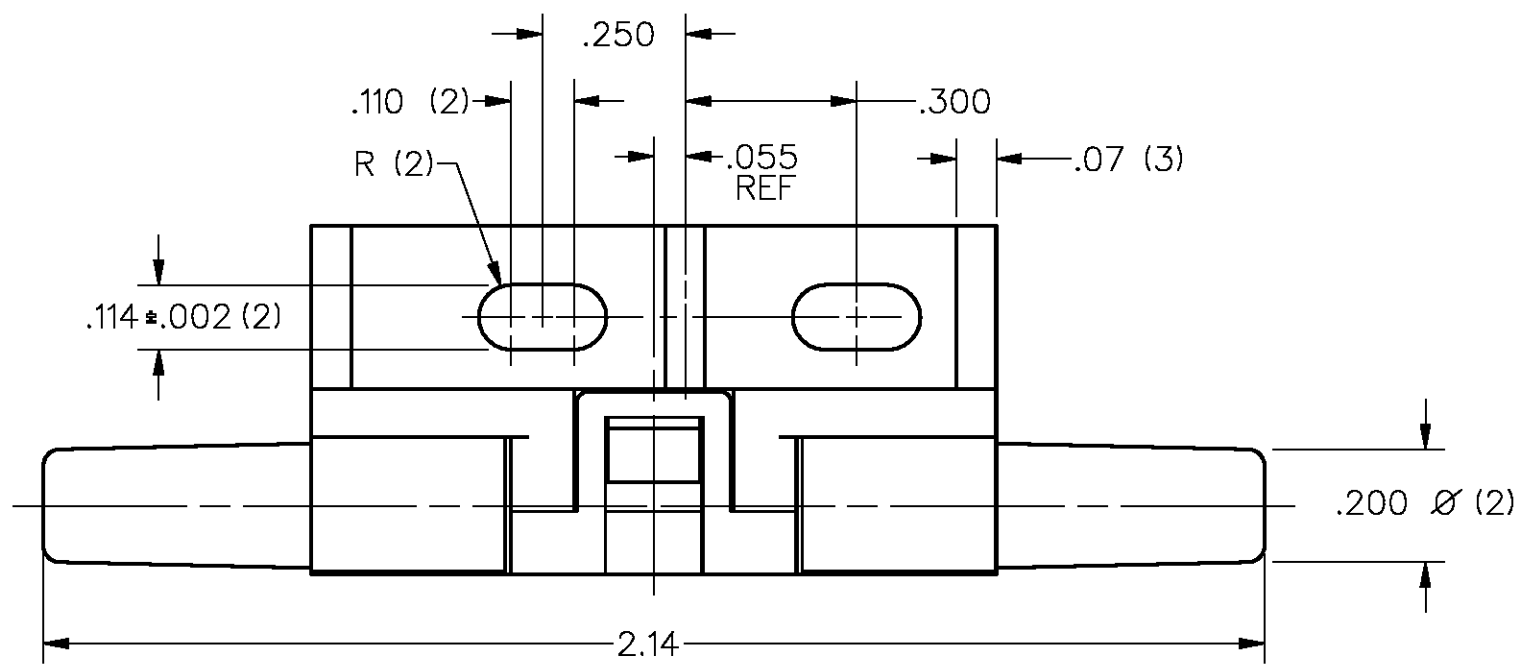


SPECIFICATIONS:	AWM1100V
RECOMMENDED EXCITATION (8 VDC MIN) /2\	10.000±.01VDC (15.000 VDC MAX)
POWER CONSUMPTION	30mW
OUTPUT VOLTAGE TRIM POINT	30mW @ 100 sccm
NULL VOLTAGE	0.0±.7mV
NULL VOLTAGE SHIFT (-25°C TO +85°C)	±1.5mV (MAX)
OUTPUT VOLTAGE SHIFT (+25°C TO -25°C) /4\	±4 %FSO (MAX)
(+25°C TO +85°C) /4\	±4 %FSO (MAX)
REPEATABILITY & HYSTERESIS /3\	±1 %FSO (MAX)
RESPONSE TIME /1\	3.0 msec (MAX)
OPERATING TEMPERATURE RANGE	-25°C TO +85°C
STORAGE TEMPERATURE RANGE	-40°C TO +90°C
TERMINATION	0.025 SQ. IN.
WEIGHT	10.8 GRAMS
SHOCK RATING	100 G PEAK
OVERPRESSURE	5 PSI (MAX)
SENSOR RESISTANCE	5 K-OHMS (TYP)
SENSOR CURRENT (PIN 2-PIN 1, PIN 6-PIN 1)	0.6 mA (MAX)

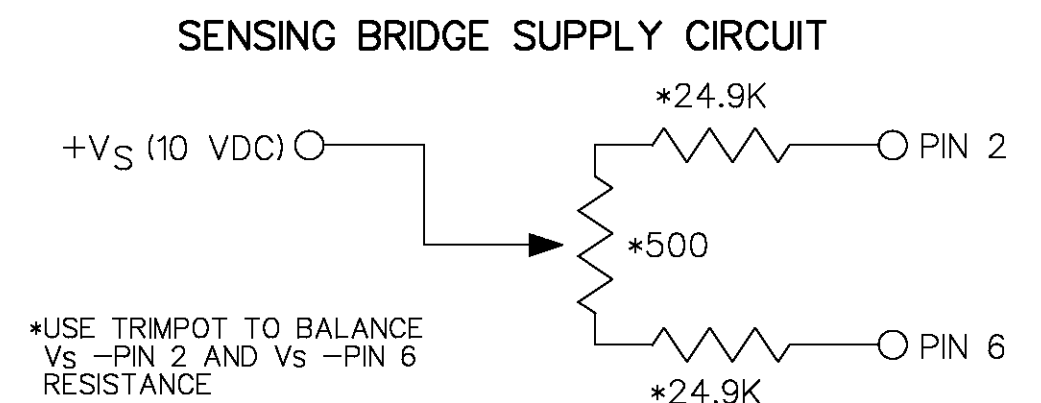
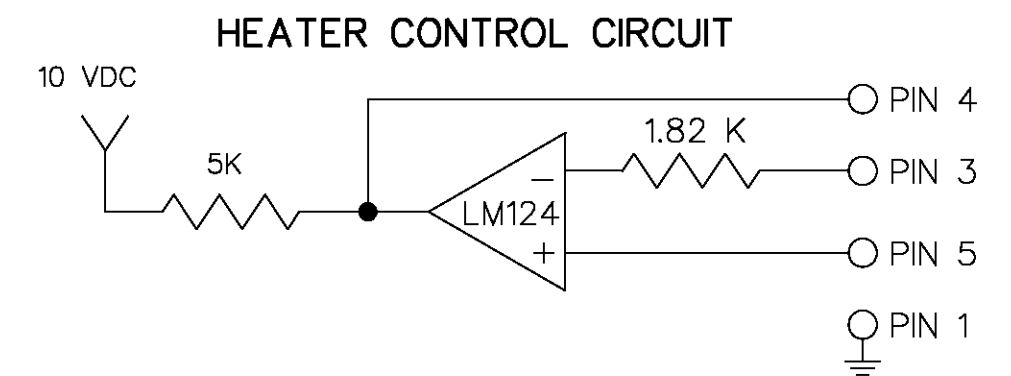
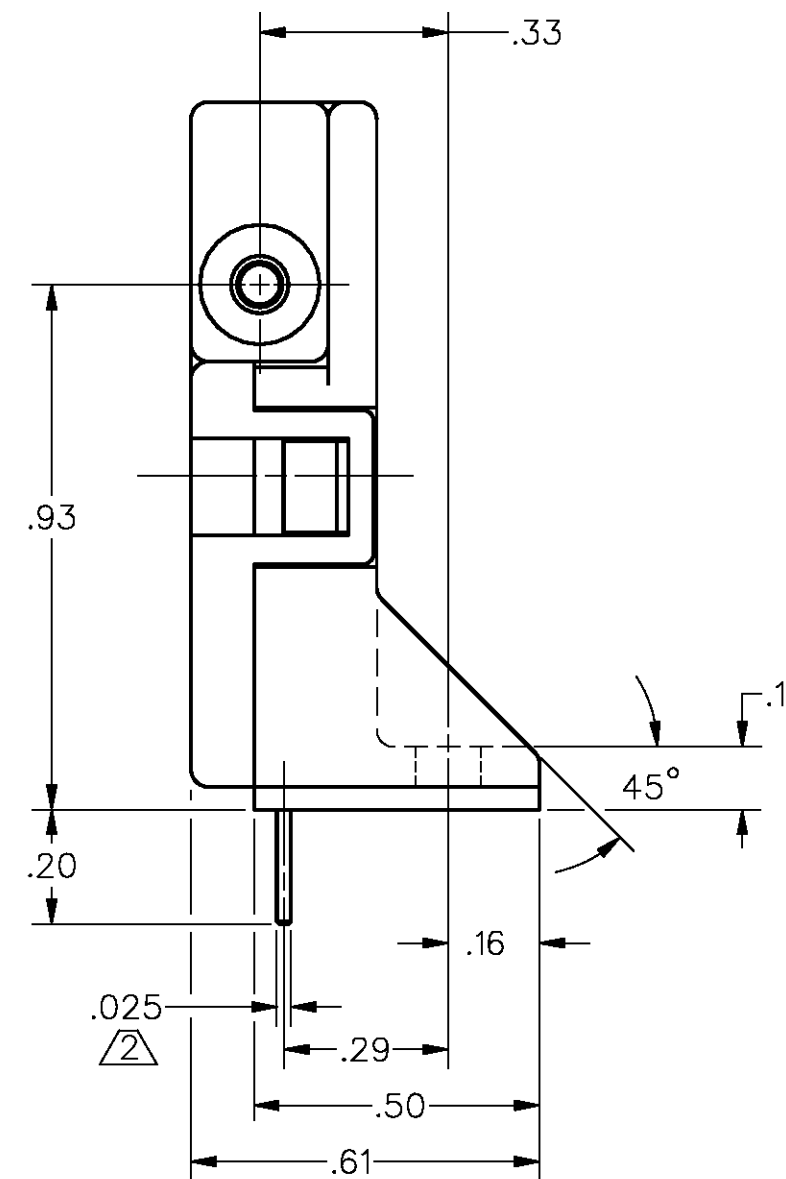
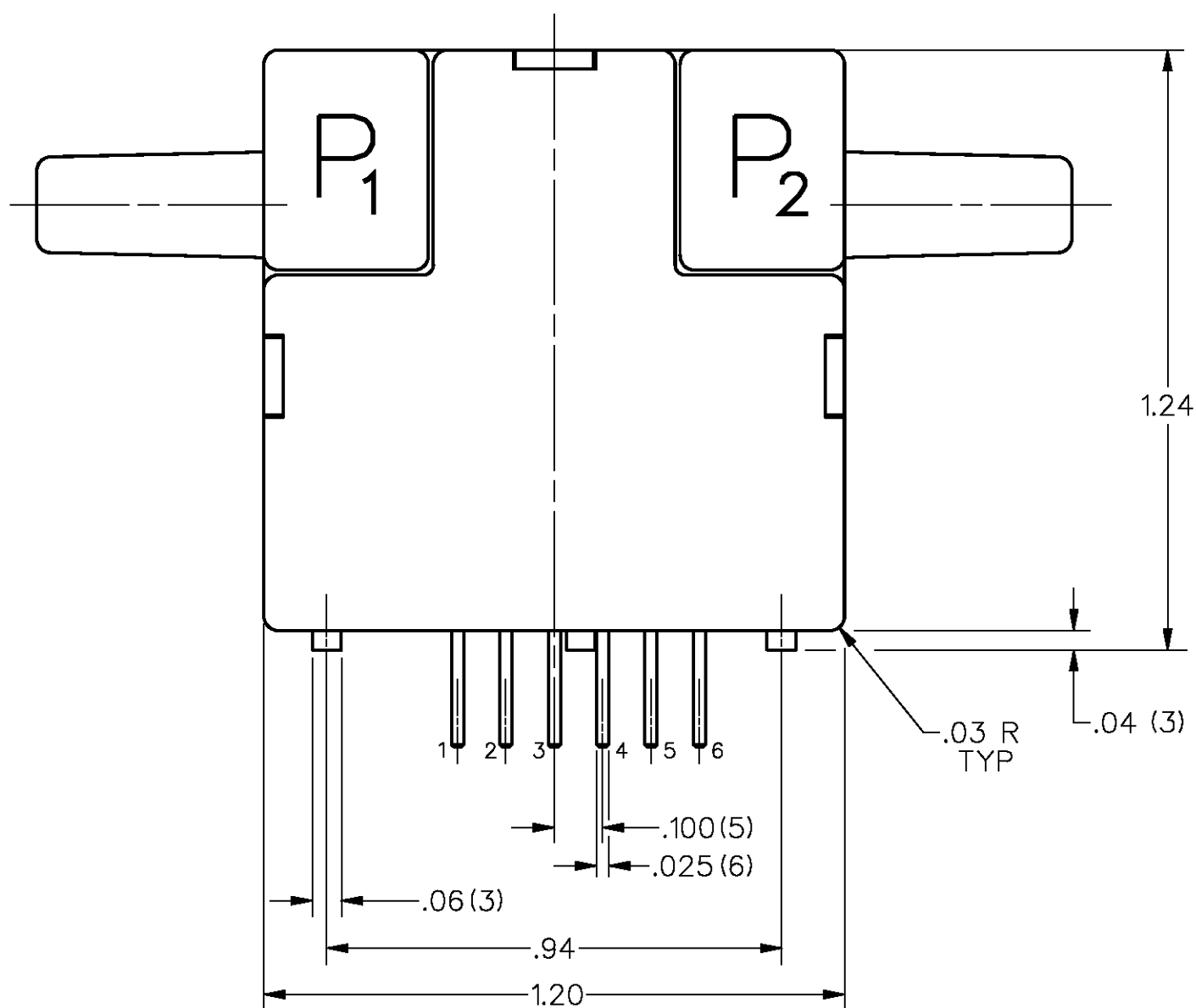
AWM1100V
FLOW SPECIFICATIONS:

FLOW (Sccm)	NOMINAL (mV)	TOL. (±mV)
200	44.25	4.00
150	38.75	3.00
100	30.00	1.00
50	18.40	2.00
0	0.00	0.70
-50	-18.40	3.90
-100	-30.00	5.00
-150	-38.75	7.65
-200	-44.25	9.75



NOTES

- 1 RESPONSE TIME IS TYPICALLY 1 msec FROM 10%-90%
- 2 OUTPUT VOLTAGE IS RATIO-METRIC TO SUPPLY VOLTAGE
- 3 REPEATABILITY & HYSTERESIS TOLERANCES REFLECT INHERENT INACCURACIES OF THE MEASUREMENT EQUIPMENT
- 4 TEMPERATURE SHIFTS IN THE MASSFLOW DEVICES ARE DUE TO THE CHANGE OF THE SECOND ORDER TCR COEFFICIENT OVER TEMPERATURE
- 5 - POSITIVE FLOW DIRECTION IS DEFINED AS PROCEEDING FROM P1 TO P2 AND RESULTS IN POSITIVE OUTPUT (PIN 6 > PIN 2). NEGATIVE FLOW DIRECTION IS DEFINED CONVERSELY AND RESULTS IN NEGATIVE OUTPUT (PIN 6 < PIN 2)



DRAWING NUMBER: AWM1100V
 ISSUE: 3
 PAGE: 1 OF 1
 RELEASE NO: PR-20260
 REPLACES:
 CHECK
 REVISIONS:
 A CO83694 30 APR 97
 B CO94376 23 MAR 99
 TSM
 FORMTEK DRAWN
 J A F 14 NOV 92
 K A G 14 NOV 92
 CHECK

MASTER REDUCED

THIS DRAWING COVERS A PROPRIETARY ITEM AND IS THE PROPERTY OF MICRO SWITCH, A DIVISION OF HONEYWELL. THIS DRAWING IS NOT TO BE COPIED OR USED WITHOUT THE APPROVAL OF MICRO SWITCH.

MICRO SWITCH
a Honeywell Division

CATALOG LISTING
MASS AIRFLOW SENSOR
AWM1100V

FED. MFG. CODE 91929

THIRD ANGLE PROJECTION

SCALE 3 : 1

DO NOT SCALE PRINT

UNLESS OTHERWISE SPECIFIED TOLERANCES ARE

ONE PLACE	(.0)	±.030
TWO PLACES	(.00)	±.015
THREE PLACES	(.000)	±.005
ANGLES		±

WEIGHT