



27.0MHz VCXO Clock Genrerator

AK8145

Features

- 27.0MHz Crystal Input
- One 27.0MHz-Reference output
- Built-in VCXO
 - Pull Range +/-100ppm
- Low Jitter Performance
 - Period Jitter: 100 psec (p-p,Typ.)
 - Long term Jitter: 150 psec (1000cycles,p-p,Typ.)
- Low Current Consumption:
 - 4.5mA (Typ.) at 3.3V
 - 60 μ A (Max.) at Power down
- Supply Voltage: 3.0 – 3.6V
- Operating Temperature Range: -20 to +85°C
- Package: 8-pin MSOP (Lead free)

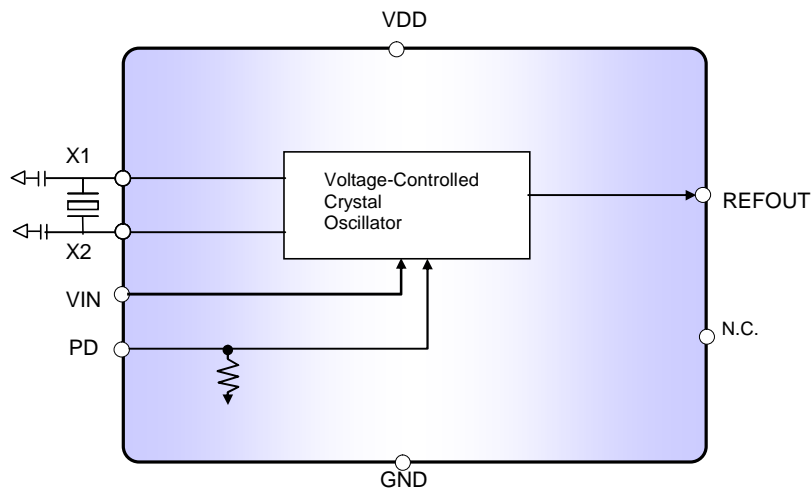
Description

The AK8145 is a low power, low jitter VCXO IC. AK8145 accepts 27MHz fundamental crystal input and produces a low-jitter output at the same frequency. 0V to +3.3V signal to VIN is used to control the output clock frequency. The AK8145 is available in a 8-pin MSOP package.

Applications

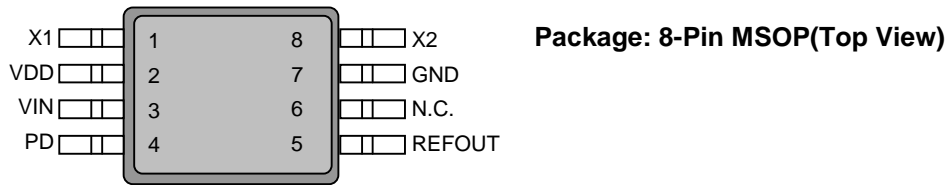
- Digital TV Sets
- Personal Video Recorders
- Set-Top-Boxes
- Multi Media Receivers

Block Diagram



AK8145 27MHz VCXO Clock Generator

Pin Descriptions



Pin No.	Pin Name	Pin Type	Description
1	X1	XO	Crystal connection, Connect to 27.000MHz crystal
2	VDD	PWR	Power supply.
3	VIN	PWR	VCXO Control Voltage Input
4	PD	IN	Power down control. (1) L: REFOUT ON, H: Power down.
5	REFOUT	OUT	Reference Clock Output of VCXO based on 27.000MHz Crystal High-z at power down mode.
6	N.C.	IN	N.C. Please connect to GND.
7	GND	PWR	Ground.
8	X2	XI	Crystal connection, Connect to 27.000MHz crystal

(1) Internal pull down 100kΩ(Typ.)

Ordering Information

Part Number	Marking	Shipping Packaging	Package	Temperature Range
AK8145	8145	Tape and Reel	8-pin MSOP	-20 to 85 °C

Absolute Maximum Rating

Over operating free-air temperature range unless otherwise noted ⁽¹⁾

Items	Symbol	Ratings	Unit
Supply voltage	VDD	-0.3 to 4.6	V
Input voltage	V _{in}	VSS-0.3 to VDD+0.3	V
Input current (any pins except supplies)	I _{IN}	±10	mA
Storage temperature	T _{stg}	-55 to 130	°C

Note

(1) Stress beyond those listed under "Absolute Maximum Ratings" may cause permanent damage to the device. These are stress ratings only. Functional operation of the device at these or any other conditions beyond those indicated under "Recommended Operating Conditions" is not implied. Exposure to absolute-maximum-rating conditions for extended periods may affect device reliability. Electrical parameters are guaranteed only over the recommended operating temperature range.



ESD Sensitive Device

This device is manufactured on a CMOS process, therefore, generically susceptible to damage by excessive static voltage. Failure to observe proper handling and installation procedures can cause damage. AKEMD recommends that this device is handled with appropriate precautions.

Recommended Operation Conditions

Parameter	Symbol	Conditions	Min	Typ	Max	Unit
Operating temperature	T _a		-20		85	°C
Supply voltage ⁽¹⁾	VDD		3.0	3.3	3.6	V
Output Load Capacitance	C _{pl}	Pin: REFOUT			25	pF

Note:

(1) Power to VDD requires to be supplied from a single source. A decoupling capacitor of 0.1μF for power supply line should be installed close to each VDD pin.

DC Characteristics

All specifications at VDD: over 3.0 to 3.6V, Ta: -20 to +85°C, 27MHz Crystal, unless otherwise noted

Parameter	Symbol	Conditions	MIN	TYP	MAX	Unit
Input leak current 1	I_{L1}	Pin: PD	-10		+75	μA
Input leak current 2	I_{L2}	Pin: VIN	-3		+3	μA
High Level Output Voltage	V_{OH}	Pin: REFOUT $I_{OH}=-4mA$	0.8VDD			V
Low level Output Voltage	V_{OL}	Pin: REFOUT $I_{OL}=+4mA$			0.2VDD	V
High Level Input Voltage	V_{IH}	Pin: PD	0.7VDD			V
Low level Input Voltage	V_{IL}	Pin: PD			0.3VDD	V
Current Consumption 1	I_{DD1}	No load PD=L Ta=25°C		4.5		mA
Current Consumption 2	I_{DD1}	No load PD=H Ta=25°C		0	60	μA

AC Characteristics

All specifications at VDD: over 3.0 to 3.6V, Ta: over -20 to +85°C, 27MHz Crystal, unless otherwise noted

Parameter	Symbol	Conditions	MIN	TYP	MAX	Unit
Crystal Clock Frequency				27.0		MHz
VCXO Pullable Range ⁽²⁾		VIN at over 0 to VDD V	± 100			ppm
VCXO Gain		VIN range at 1.5V \pm 1.0V		100		ppm/V
Period Jitter ⁽³⁾		REFOUT at 27.000MHz		100		ps
Long Term Jitter ⁽³⁾		REFOUT at 27.000MHz 1000 cycle delay		150		ps
Output Clock Duty Cycle		Pin: REFOUT ⁽¹⁾	40	50	50	%
Output Clock Rise Time	t_{rise}	Pin: REFOUT ⁽¹⁾		2.0	4.0	ns
Output Clock Fall Time	t_{fall}	Pin: REFOUT ⁽¹⁾		2.0	4.0	ns
Power-up Time ⁽⁵⁾		Pin: REFOUT ⁽¹⁾		1	2	ms

(1) Measured with load capacitance of 25pF

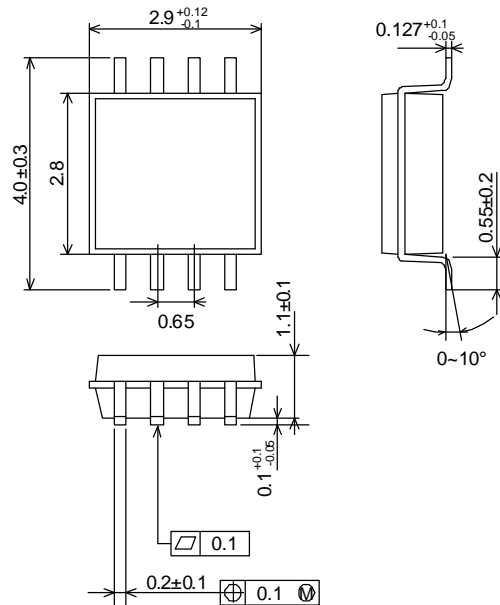
(2) Pullable range depends on crystal characteristics, on-chip load capacitance, and stray capacity of PCB. Min. ± 100 ppm is applied to AKEMD's authorized test condition.

(3) $\pm 3s$ in 10000 sampling or more

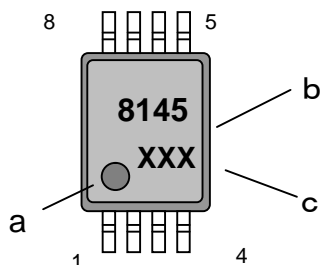
(4) Time to settle output into $\pm 0.1\%$ of specified frequency

Package Information


• Mechanical data



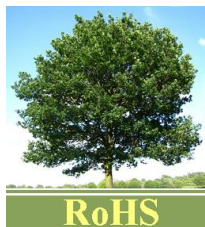
• Marking



a: #1 Pin Index
 b: Part number
 c: Date code (3 digits)

AKM and the logo -  - are the brand of AKEMD's IC's and identify that AKEMD continues to offer the best choice for high performance mixed-signal solution under this brand.

• RoHS Compliance



All integrated circuits from Asahi Kasei EMD Corporation (AKEMD) assembled in "lead-free" packages* are fully compliant with RoHS.

(* RoHS compliant products from AKEMD are identified with "Pb free" letter indication on product label posted on the anti-shield bag and boxes.

IMPORTANT NOTICE

- I These products and their specifications are subject to change without notice.
When you consider any use or application of these products, please make inquiries the sales office of Asahi Kasei EMD Corporation (AKEMD) or authorized distributors as to current status of the products.
- I AKEMD assumes no liability for infringement of any patent, intellectual property, or other rights in the application or use of any information contained herein.
- I Any export of these products, or devices or systems containing them, may require an export license or other official approval under the law and regulations of the country of export pertaining to customs and tariffs, currency exchange, or strategic materials.
- I AKEMD products are neither intended nor authorized for use as critical components^{Note1)} in any safety, life support, or other hazard related device or system^{Note2)}, and AKEMD assumes no responsibility for such use, except for the use approved with the express written consent by Representative Director of AKEMD. As used here:
 - Note1) A critical component is one whose failure to function or perform may reasonably be expected to result, whether directly or indirectly, in the loss of the safety or effectiveness of the device or system containing it, and which must therefore meet very high standards of performance and reliability.
 - Note2) A hazard related device or system is one designed or intended for life support or maintenance of safety or for applications in medicine, aerospace, nuclear energy, or other fields, in which its failure to function or perform may reasonably be expected to result in loss of life or in significant injury or damage to person or property.
- I It is the responsibility of the buyer or distributor of AKEMD products, who distributes, disposes of, or otherwise places the product with a third party, to notify such third party in advance of the above content and conditions, and the buyer or distributor agrees to assume any and all responsibility and liability for and hold AKEMD harmless from any and all claims arising from the use of said product in the absence of such notification.