

**120**mm sq.

# San Ace 120W

38mm thick(WV type), 38mm thick(WP type)  
38mm thick(WG type), 38mm thick(WS type)



## General Specifications

- Material ..... Frame: Aluminum, Impeller: Plastics (Flammability: UL94V-1)
- Expected Life ..... Refer to specifications (Indoor, L10:Survival rate: 90% at 60°C, rated voltage, and continuously run in a free air state)
- Lead Wire ..... ⊕red ⊖black or blue (Sensor) yellow
- Storage Temperature ..... -30°C to +70°C (Non-condensing)

**120×120×38mm** [Mass : 410g] **IP 55** **WGtype**

## Specifications

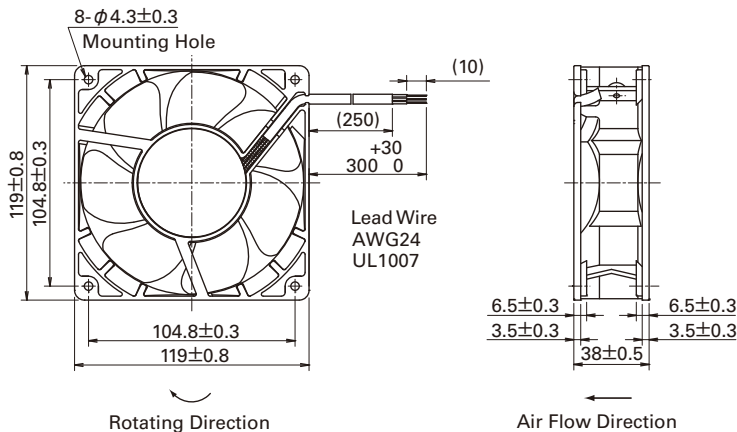
The following nos. have pulse sensors.

Model No.	Rated Voltage [V]	Operating Voltage Range [V]	Rated Current [A]	Rated Input [W]	Rated Speed [min <sup>-1</sup> ]	Max. Air Flow [m <sup>3</sup> /min] [CFM]	Max. Static Pressure [Pa] [inchH <sub>2</sub> O]	SPL [dB(A)]	Operating Temperature [°C]	Expected Life [h]										
9WG1212G101-E	12	10.2 to 13.8	0.98	11.76	3,600	3.88 137	135 0.542	49	- 20 to + 70	80,000										
9WG1212E101-E			0.61	7.32	3,100	3.34 118	100 0.402	46												
9WG1212H101-E		7 to 13.8	0.38	4.56	2,600	2.80 99	70.4 0.283	39		100,000										
9WG1212F101-E			0.28	3.36	2,280	2.45 87	54.2 0.218	36												
9WG1212M101-E			0.21	2.52	1,950	2.10 74	39.6 0.159	32												
9WG1224G101-E	24	20.4 to 27.6	0.50	12	3,600	3.88 137	135 0.542	49		- 20 to + 70	80,000									
9WG1224E101-E			0.34	8.16	3,100	3.34 118	100 0.402	46												
9WG1224H101-E		14 to 27.6	0.22	5.28	2,600	2.80 99	70.4 0.283	39			100,000									
9WG1224F101-E			0.16	3.84	2,280	2.45 87	54.2 0.218	36												
9WG1224M101-E			0.11	2.64	1,950	2.10 74	39.6 0.159	32												
9WG1248G101-E	48	40.8 to 55.2	0.25	12	3,600	3.88 137	135 0.542	49	- 20 to + 70		80,000									
9WG1248E101-E			0.17	8.16	3,100	3.34 118	100 0.402	46												
9WG1248H101-E			0.11	5.28	2,600	2.80	99	70.4			0.283	39								
9WG1248F101-E													0.09	4.32	2,280	2.45	87	54.2	0.218	36
9WG1248M101-E																				

Available options: ⇒ **Without Sensor**

Please inquire as the availability of these functions depend on the model. ⇒ **Lock Sensor**

## Dimensions (Unit : mm)

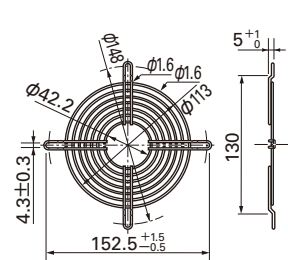


## Options (Unit : mm)

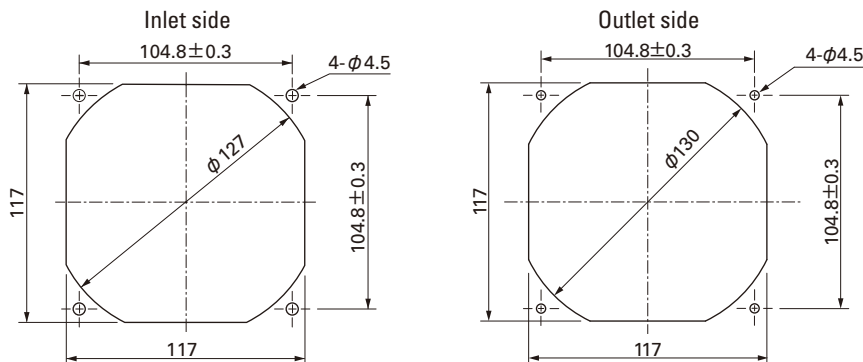
### Finger guards

Model : 109-019C Surface treatment : Nickel-chrome plating (silver) Color (silver)  
: 109-019H : Cation electropainting (black)

### Outlet side

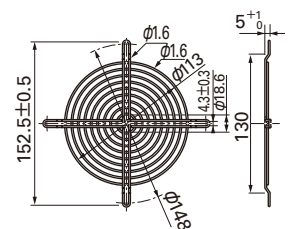


## Reference dimension of mounting holes and vent opening (Unit : mm)



Model : 109-019E Surface treatment : Nickel-chrome plating (silver) Color (silver)  
: 109-019K : Cation electropainting (black)

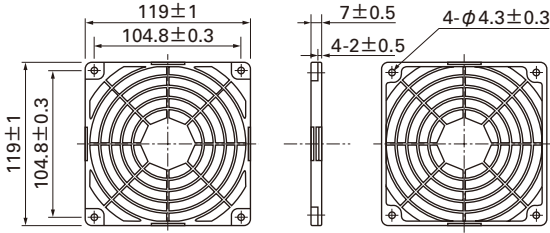
### Inlet side, Outlet side



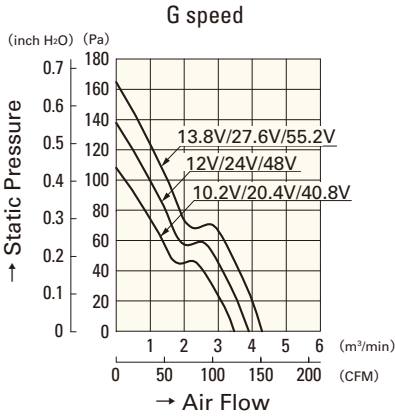
Options (Unit : mm)

Resin Finger guards

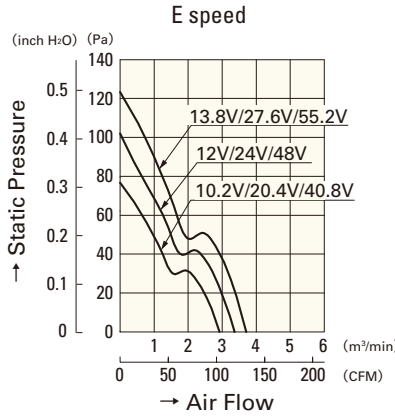
Model : 109-1000G



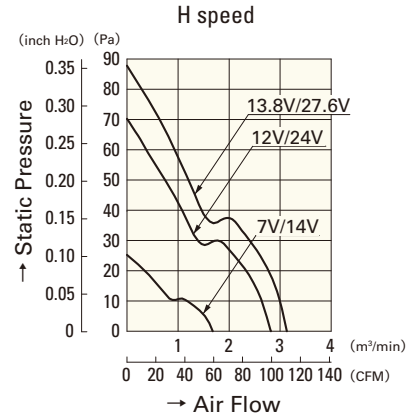
Air Flow - Static Pressure Characteristics



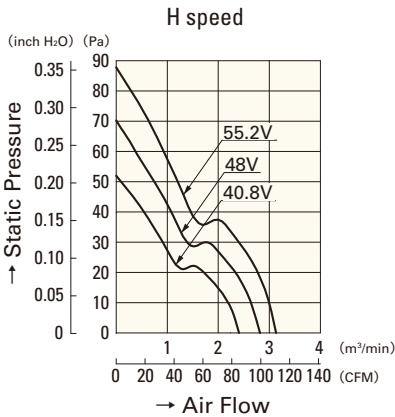
**9WG1212G101-E**  
**9WG1224G101-E**  
**9WG1248G101-E**



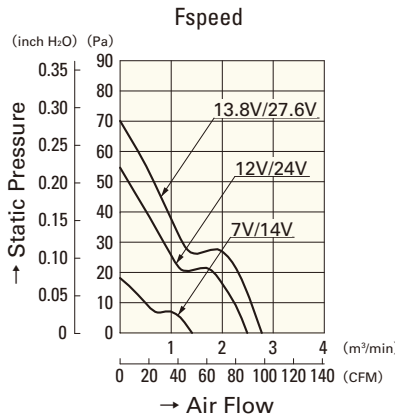
**9WG1212E101-E**  
**9WG1224E101-E**  
**9WG1248E101-E**



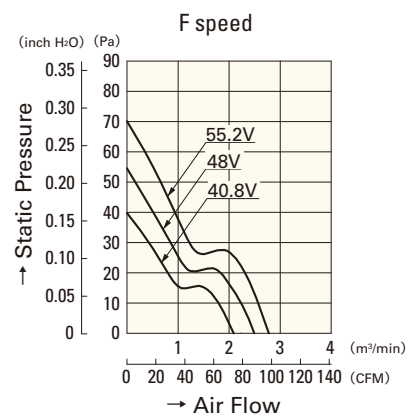
**9WG1212H101-E**  
**9WG1224H101-E**



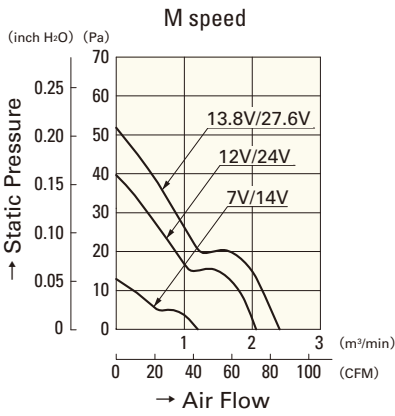
**9WG1248H101-E**



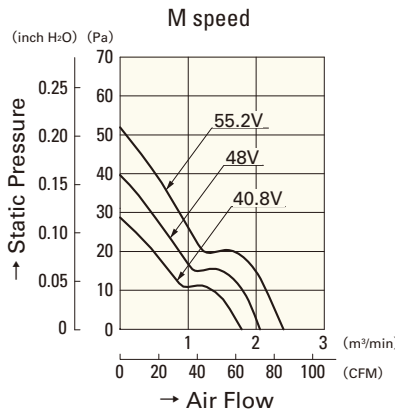
**9WG1212F101-E**  
**9WG1224F101-E**



**9WG1248F101-E**



**9WG1212M101-E**  
**9WG1224M101-E**



**9WG1248M101-E**