







-  Reduces radiated EMI emissions
-  Suppress common mode noise for EMI reduction
-  Common mode attenuation from 100KHz to 500MHz
-  Tape and Reel packaging
-  Operating temperature 0°C to +70°C.
-  RoHS compliant versions are available



ELECTRICAL SPECIFICATION @ 25°C

Part Number	No. of Lines	Primary Inductance OCL (uH Min)	Common Mode Attenuation (dB TYP)								DCR (Ω Max)	Page Number of Mech. & Schem.
			100KHz	1MHz	10MHz	30MHz	50MHz	100MHz	300MHz	500MHz		
821-00508 ³	2	47	11	27	40	44	42	36	26	17	0.40	2
821-00254 ³	2	4700	41	43	49	39	34	26	20	20	1.0	5
821-M0543 ²	2	6300	46	47	43	32	25	29	21	14	1.0	3
821-00527 ³	2	4700	42	41	48	38	33	21	22	23	1.0	3
821-01857 ³	3	20	6	14	27	30	30	30	30	28	0.40	2
821-M0459 ²	4	22.5	7	20	30	37	38	34	24	13	0.22	5
821-00198 ³	4	24	8	21	32	36	37	36	30	20	0.25	2
821-M0139 ¹	4	33	9	13	32	32	30	27	16	17	0.20	6
821-M0460 ²	4	37	8	21	28	28	28	27	25	22	0.30	5
821-00446 ³	4	47	3	19	32	36	35	29	12	6	0.40	2
821-M0463 ²	4	100	14	33	44	48	49	44	34	29	0.60	5
821-00155 ³	4	4700	40	51	38	30	25	20	14	13	1.2	4
821-M0461 ²	6	21	6	19	28	34	35	36	34	29	0.35	5
821-M0034 ²	6	68	8	22	20	30	30	29	24	19	0.20	5
821-M0462 ²	8	36	8	24	36	39	35	29	18	11	0.35	5
821-M0464 ²	8	68	8	24	30	29	27	24	16	11	0.20	5
821-M0439 ²	16	47	7	27	40	44	42	36	26	-	0.40	6

Notes:

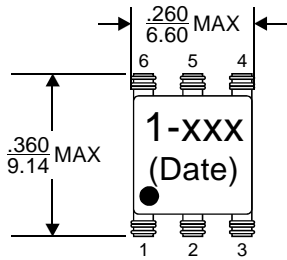
1. Contact EEMPL for RoHS compliant versions availability.
2. For RoHS compliant version, Add suffix 'R' in Part Number
3. For RoHS compliant version, Add suffix 'F' in Part Number



MECHANICAL DIMENSIONS

SCHEMATICS

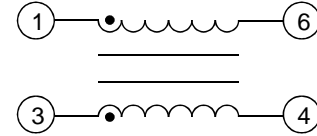
821-00508 / 821-01857



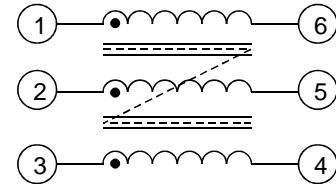
Dimensions specified in $\frac{\text{inches}}{\text{mm}}$ with higher precedence in inches.
Unless otherwise specified, all tolerances are $\pm \frac{.010}{0.25}$

Weight (in gram) : 0.15 typ.
Tape & Reel : 1800 / reel

821-00508

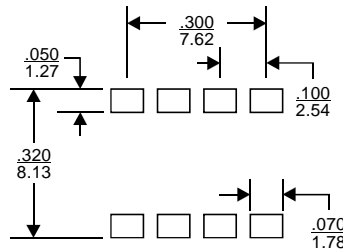
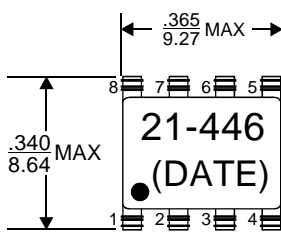


821-01857



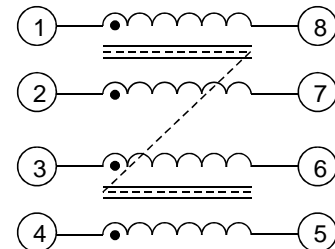
Connect Unused Pin to Logic Ground for Optimum performance

821-00446

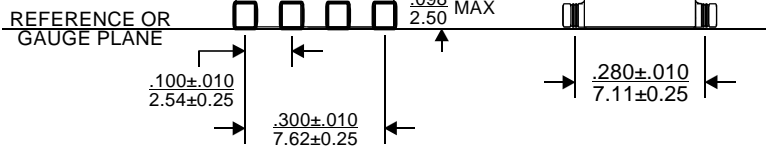


Recommended PAD Layout

821-00446

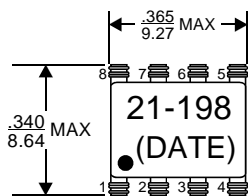


Weight (in gram) : 0.30 typ.
Tape & Reel : 1600 / reel

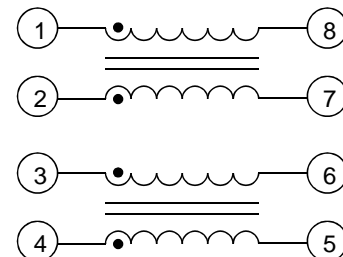


Dimensions specified in $\frac{\text{inches}}{\text{mm}}$ with higher precedence in inches.
Unless otherwise specified, all tolerances are $\pm \frac{.010}{0.25}$

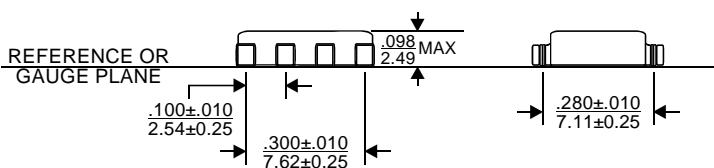
821-00198



821-00198



Weight (in gram) : 0.30 typ.
Tape & Reel : 1600 / reel



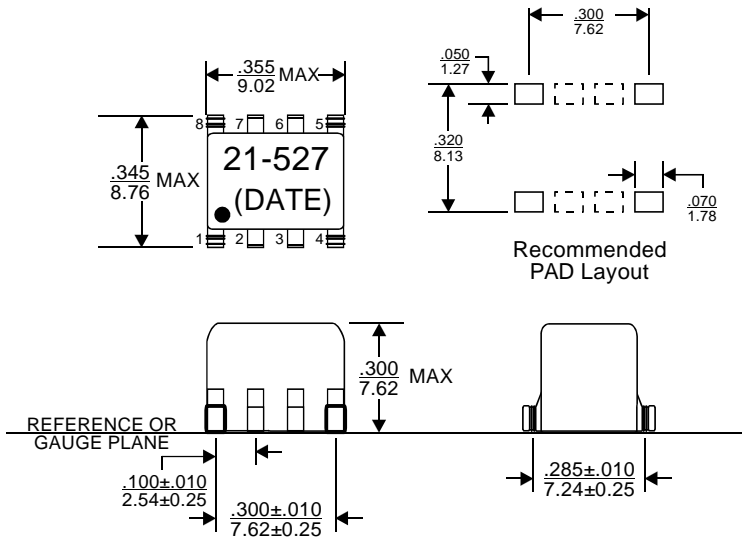
Dimensions specified in $\frac{\text{inches}}{\text{mm}}$ with higher precedence in inches.
Unless otherwise specified, all tolerances are $\pm \frac{.010}{0.25}$



MECHANICAL DIMENSIONS

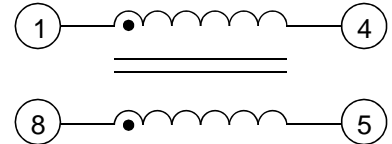
SCHEMATICS

821-00527



Recommended PAD Layout

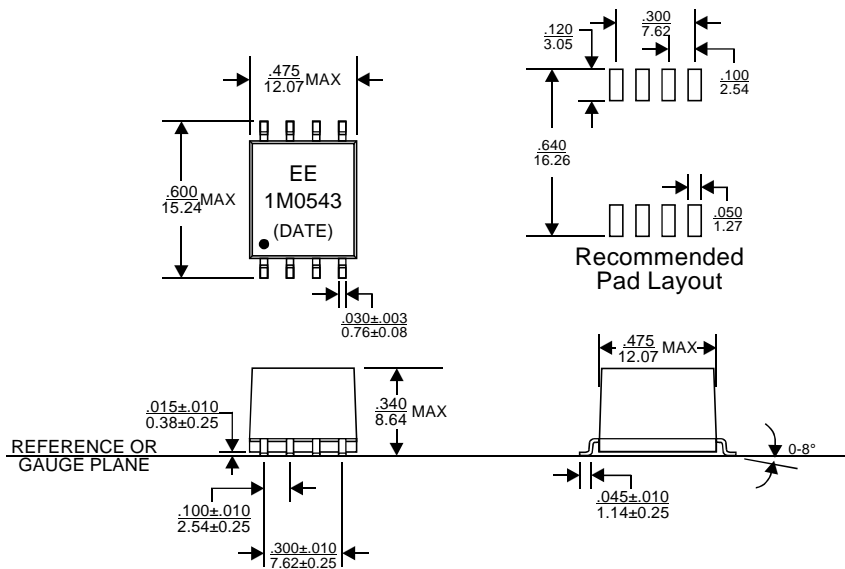
821-00527



Weight (in gram)	: 0.65 typ.
Tape & Reel	: 600 / reel

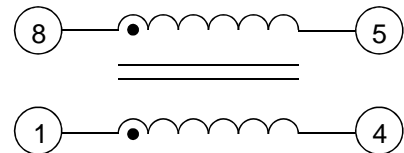
Dimensions specified in $\frac{\text{inches}}{\text{mm}}$ with higher precedence in inches.
Unless otherwise specified, all tolerances are $\pm \frac{.010}{0.25}$

821-M0543



Recommended Pad Layout

821-M0543



Weight (in gram)	: 1.9 typ.
Tape & Reel	: 400 / reel

Dimensions specified in $\frac{\text{inches}}{\text{mm}}$ with higher precedence in inches.
Unless otherwise specified, all tolerances are $\pm \frac{.010}{0.25}$

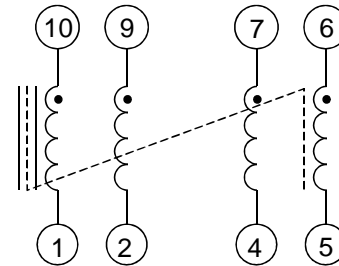
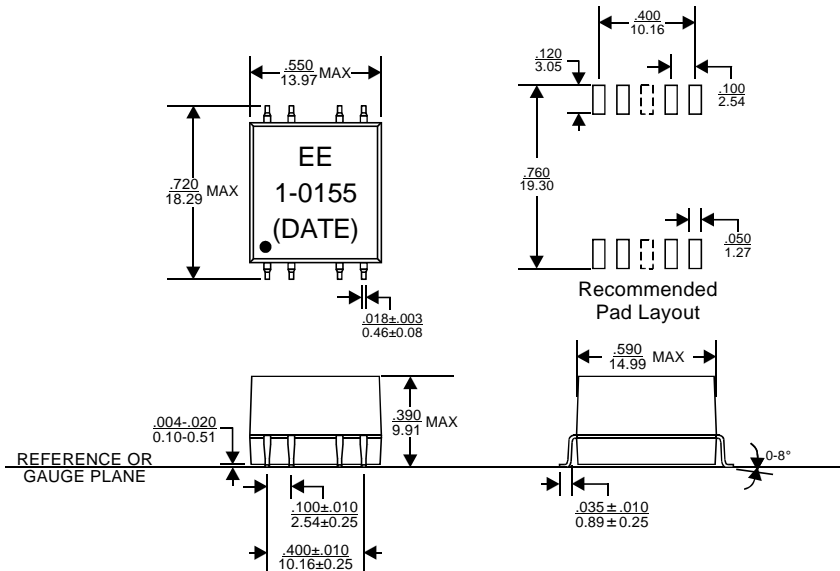


MECHANICAL DIMENSIONS

SCHEMATICS

821-00155

821-00155

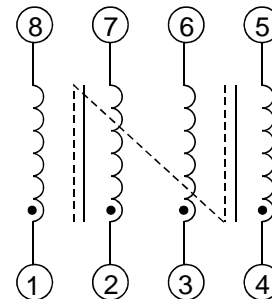
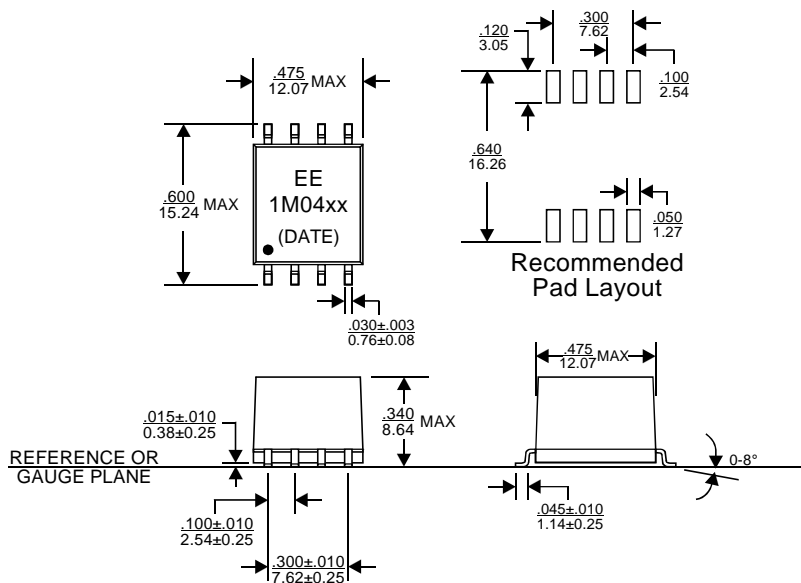


Weight (in gram) : 4.0 typ.
Tape & Reel : 150 / reel

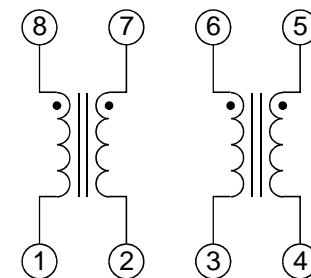
Dimensions specified in $\frac{\text{inches}}{\text{mm}}$ with higher precedence in inches.
Unless otherwise specified, all tolerances are $\pm \frac{.010}{0.25}$

821-M0459 / 821-M0463

821-M0459



821-M0463



Dimensions specified in $\frac{\text{inches}}{\text{mm}}$ with higher precedence in inches.
Unless otherwise specified, all tolerances are $\pm \frac{.010}{0.25}$

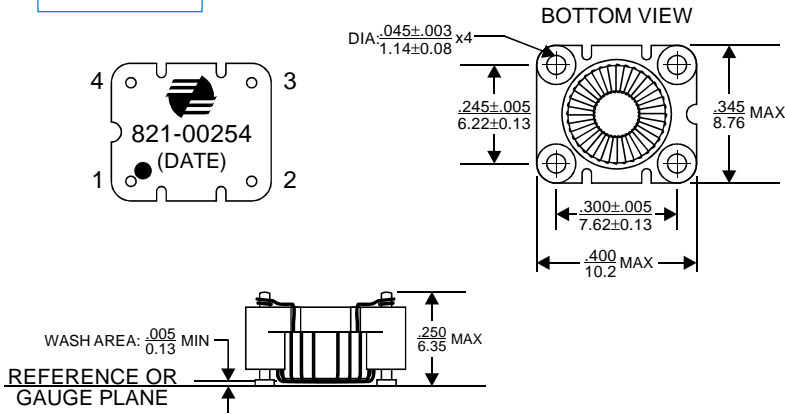
Weight (in gram) : 1.90 typ.
Tape & Reel : 400 / reel



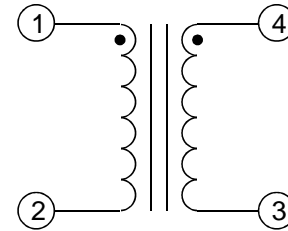
MECHANICAL DIMENSIONS

SCHEMATICS

821-00254



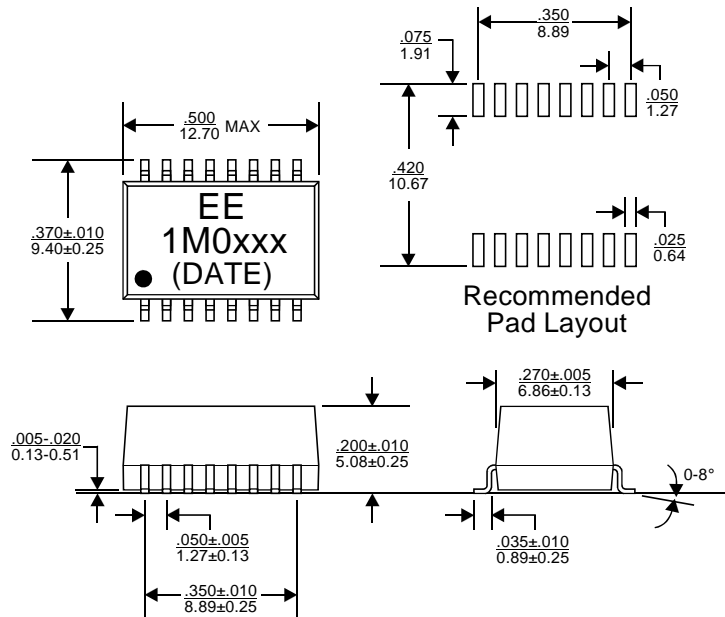
821-00254



Weight (in gram)	: 0.7 typ.
Tape & Reel	: 700 / reel

Dimensions specified in $\frac{\text{inches}}{\text{mm}}$ with higher precedence in inches.
Unless otherwise specified, all tolerances are $\pm \frac{.010}{0.25}$

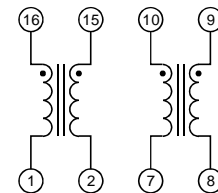
821-M0460 / 821-M0461 / 821-M0462
821-M0464 / 821-M0034



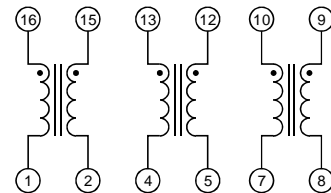
Dimensions specified in $\frac{\text{inches}}{\text{mm}}$ with higher precedence in inches.
Unless otherwise specified, all tolerances are $\pm \frac{.010}{0.25}$

Weight (in gram)	: 1.1 -1.8 typ.
Tape & Reel	: 750 / reel

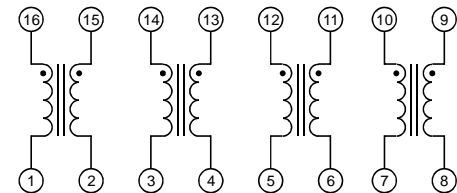
821-M0460



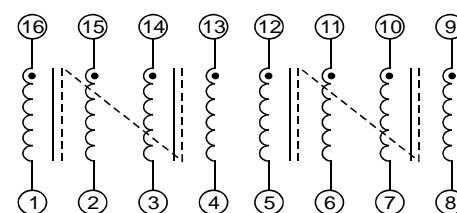
821-M0461 / 821-M0034



821-M0462



821-M0464

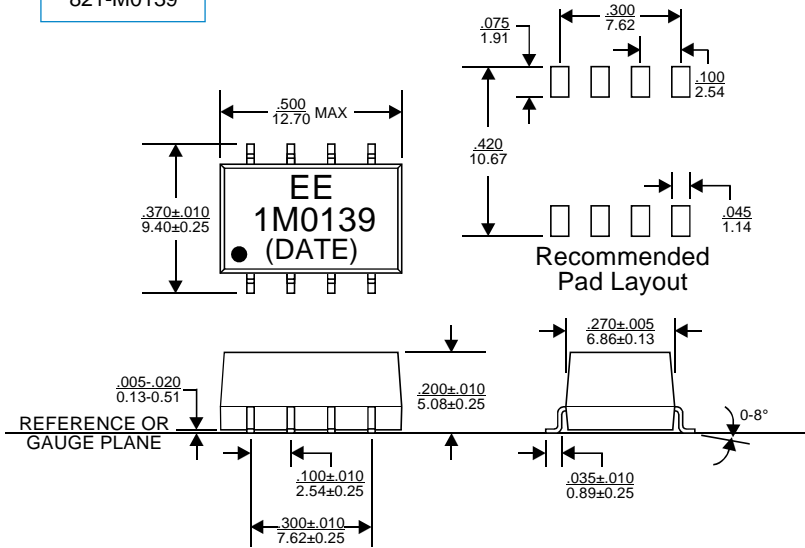




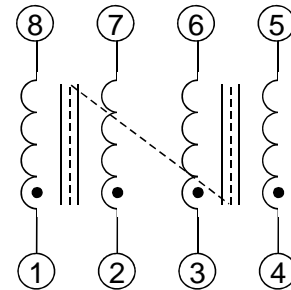
MECHANICAL DIMENSIONS

SCHEMATICS

821-M0139



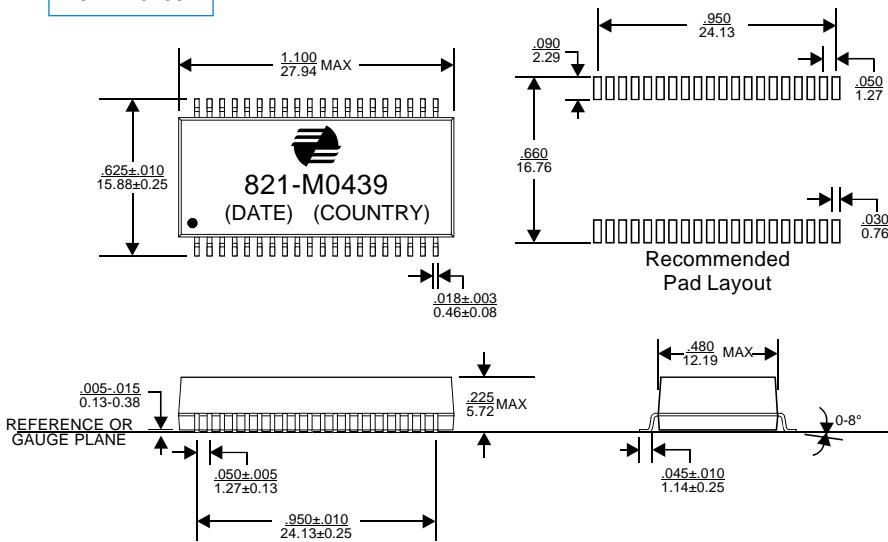
821-M0139



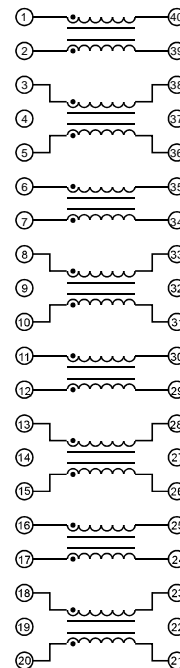
Weight (in gram) : 0.85 typ.
Tape & Reel : 750 / reel

Dimensions specified in $\frac{\text{inches}}{\text{mm}}$ with higher precedence in inches.
Unless otherwise specified, all tolerances are $\pm \frac{.010}{.25}$

821-M0439



821-M0439



Dimensions specified in $\frac{\text{inches}}{\text{mm}}$ with higher precedence in inches.
Unless otherwise specified, all tolerances are $\pm \frac{.010}{.25}$

Weight (in gram) : 4.0 typ.
Tape & Reel : 350 / reel

FOR MORE INFORMATION, PLEASE CONTACT

HEADQUARTER
2/F Block A, Merit Industrial Centre,
94 Tokwawan Road, Kowloon,
Hong Kong
Tel: (852) 2765 3888
Fax: (852) 2954 3304
Email: eempl@eleceltek.com
Website: http://www.eleceltek.com

Information herein is for reference only and subject to change without notice. It does not constitute any representation, warranty or commitment of the company in respect of the products in any aspect. All logos, brands and product names mentioned herein are trademarks or registered trademarks of their respective owners. The company does not assume any liability arising out of the application or use of any product or circuit described herein. Copyrights 2007, E & E Magnetic Products Limited.