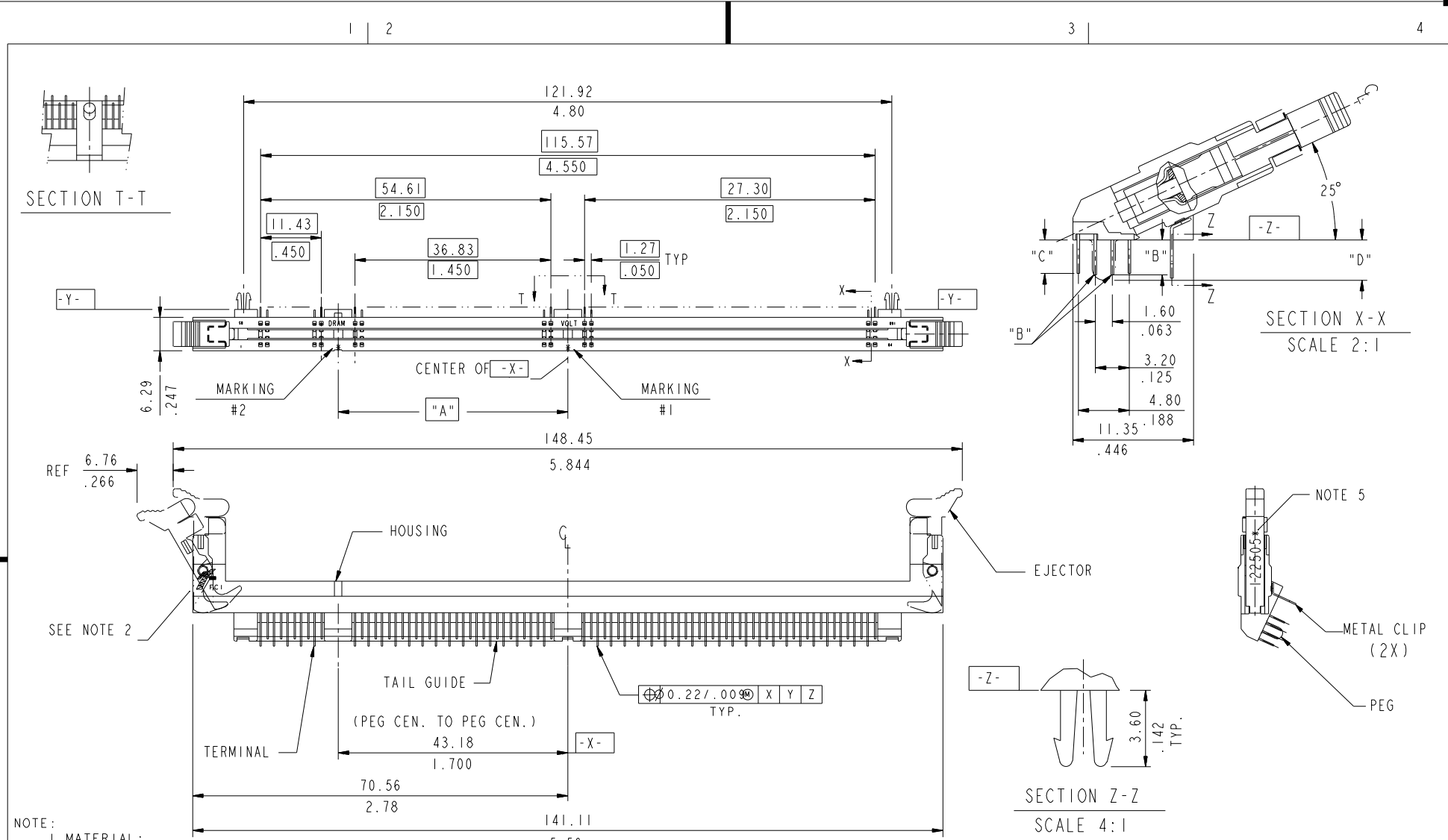


Tous droits strictement réservés. Reproduction ou communication a des tiers interdite sous quelque forme que ce soit sans autorisation écrite du propriétaire. Propriété de c FCI. Droits de reproduction FCI.



All rights strictly reserved. Reproduction or issue to third parties in any form whatever is not permitted without written authority from the proprietor. Property of FCI. Copyright FCI.



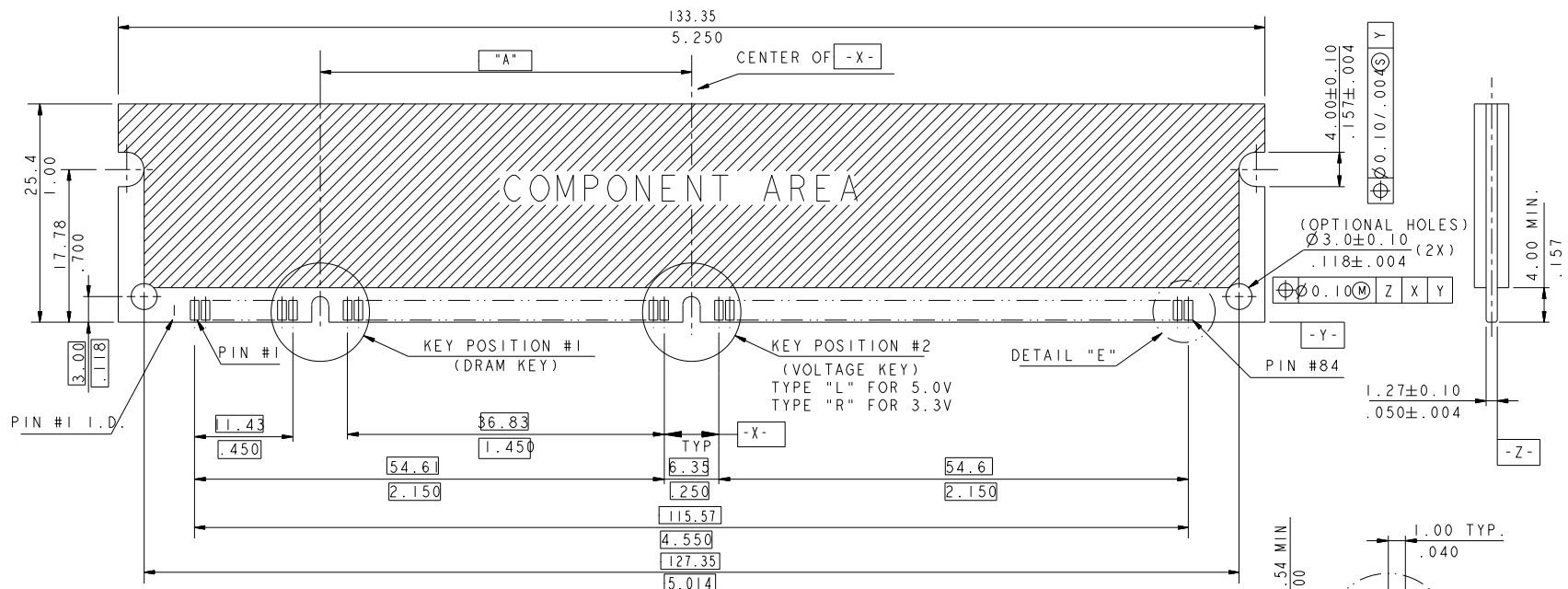
- NOTE:
- MATERIAL:  
HOUSING: LIQUID CRYSTAL POLYMER RESINS, GLASS FILLED UL94V-0 RATED. COLOR: BLACK  
EJECTOR: LIQUID CRYSTAL POLYMER OR OTHER HIGH PERFORMANCE RESINS, GLASS FILLED UL94V-0 RATED. COLOR: IVORY  
TERMINAL: PHOSPHOR BRONZE
  - FCI LOGO TO BE APPROXIMATELY LOCATED AS SHOWN ON PRINT.
  - THIS PRODUCT MEETS EUROPEAN DIRECTIVES AND OTHER COUNTRY REGULATIONS AS DESCRIBED IN GS-22-008
  - THE HOUSING WILL WITHSTAND EXPOSURE TO 260 PEAK TEMPERATURE FOR 10 SECONDS IN A WAVE SOLDER APPLICATION.
  - THE DATA CODE IS SHOW AS "MM-DD-YY". HEIGHT 1.5~2.0mm, FONT: HELVETICA.

|             |                |     |          |                                       |                             |            |               |          |      |        |                    |      |
|-------------|----------------|-----|----------|---------------------------------------|-----------------------------|------------|---------------|----------|------|--------|--------------------|------|
| mat'l. code |                |     |          | tolerances unless otherwise specified |                             |            | CUSTOMER COPY |          | FCI  |        | www.fciconnect.com |      |
| ltr         | ecn no         | dr  | date     | linear                                | .X ± 0.35                   | projection |               | title    |      |        |                    |      |
| A           | T80304         | M W | 07/14/98 | .XX ± 0.25                            | 25° DIMM .050<br>168P ASS'Y |            |               |          |      |        |                    |      |
| B           | T20145         | M W | 05/10/99 | .XXX ± 0.15                           | product family DIMM         |            |               |          | code |        |                    |      |
| C           | T20281         | M W | 09/10/02 | angles                                | 0° ± 2°                     | MM         |               | size     |      | dwg no |                    | code |
| D           | T03-0004       | M W | 01/09/03 | dr                                    | MAGGIE WU                   |            |               | 01/15/98 | A4   |        | 74538              |      |
| E           | T05-0021       | R C | 01/25/05 | eng                                   | AINGE LIOU                  | 01/15/98   | scale         |          | 1:1  |        | sheet              |      |
| F           | T05-0004       | R C | 02/15/05 | chr                                   | AINGE LIOU                  | 01/15/98   | 1:1           |          | A4   |        | 1 of 4             |      |
| G           | DG06-0349      | C S | 18/08/06 | app                                   | JENN TSAO                   | 01/15/98   |               |          |      |        |                    |      |
| sheet index | revision sheet | G   | G        | G                                     | G                           | G          | G             |          |      |        |                    |      |
|             |                | 1   | 2        | 3                                     | 4                           |            |               |          |      |        |                    |      |

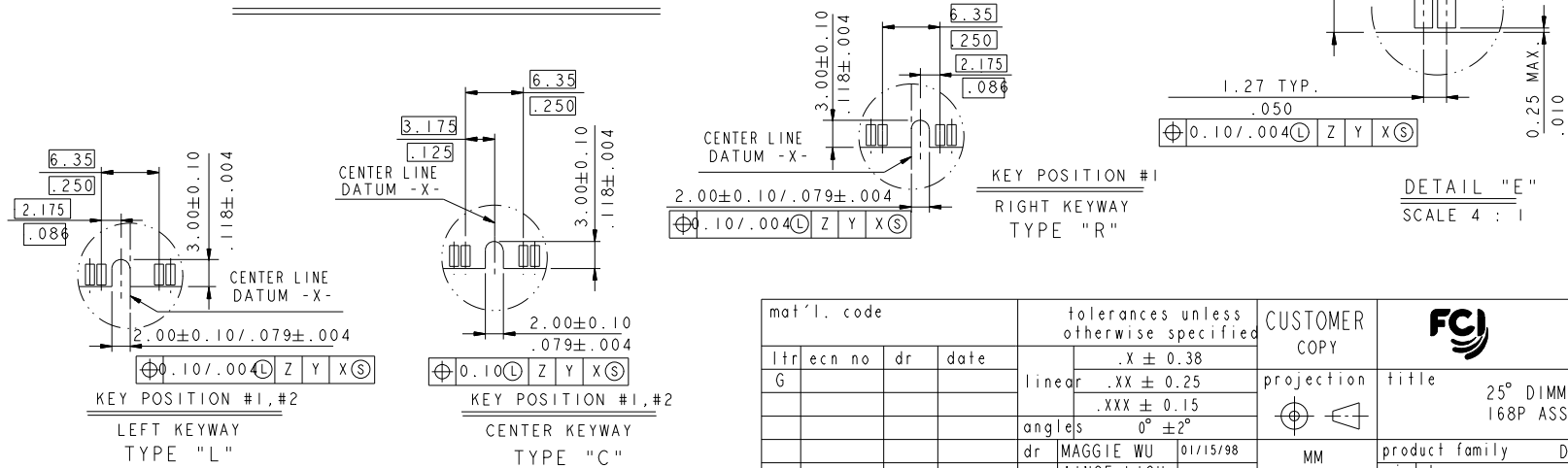
Tous droits strictement réservés. Reproduction ou communication o des tiers interdite sous quelque forme que ce soit sans autorisation écrite du propriétaire. Propriété de c FCI. Droits de reproduction FCI.



All rights strictly reserved. Reproduction or issue to third parties in any form whatever is not permitted without written authority from the proprietor. Property of FCI. Copyright FCI.



RECOMMENDED MODULE LAYOUT



|             |          |                                       |    |               |      |                           |                     |
|-------------|----------|---------------------------------------|----|---------------|------|---------------------------|---------------------|
| mat'l. code |          | tolerances unless otherwise specified |    | CUSTOMER COPY |      | FCI<br>www.fciconnect.com |                     |
| l           | tr       | ec                                    | no | dr            | date | linear                    | projection          |
| G           |          |                                       |    |               |      | .X ± 0.38                 | title               |
|             |          |                                       |    |               |      | .XX ± 0.25                | 25° DIMM .050       |
|             |          |                                       |    |               |      | .XXX ± 0.15               | 168P ASS'Y          |
|             |          |                                       |    |               |      | angles 0° ± 2°            | product family DIMM |
|             |          |                                       |    |               |      | dr MAGGIE WU 01/15/98     | code TWN            |
|             |          |                                       |    |               |      | eng AINGE LIOU 01/15/98   | size                |
|             |          |                                       |    |               |      | chr AINGE LIOU 01/15/98   | dwg no              |
|             |          |                                       |    |               |      | app JENN TSAO 01/15/98    | A4 74538            |
| sheet       | revision |                                       |    |               |      | scale                     | 1:1                 |
| index       | sheet    |                                       |    |               |      |                           |                     |

PDM: Rev:G

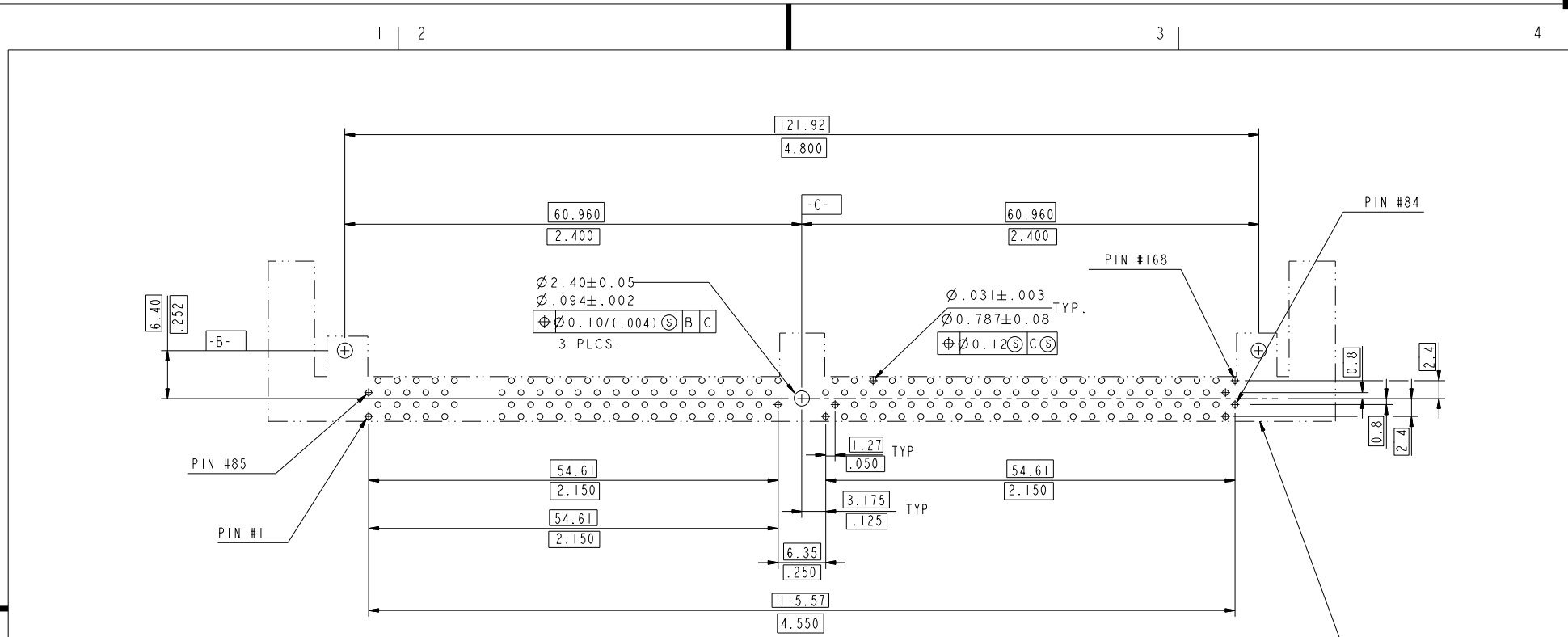
STATUS Released

Printed: Jul 28, 2014

Tous droits strictement réservés. Reproduction ou communication o des tiers interdite sous quelque forme que ce soit sans autorisation écrite du propriétaire. Propriété de c FCI. Droits de reproduction FCI.



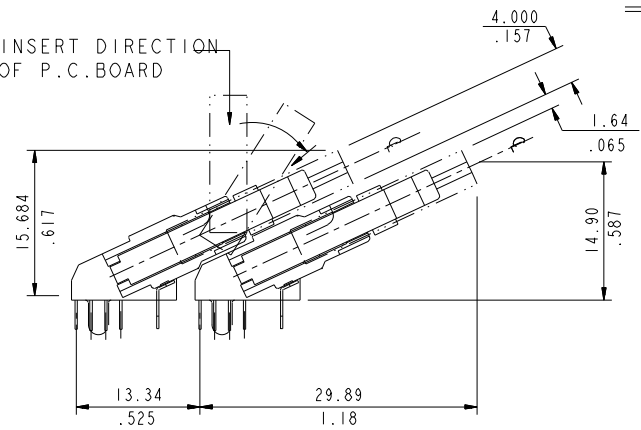
All rights strictly reserved. Reproduction or issue to third parties in any form whatever is not permitted without written authority from the proprietor. Property of FCI. Copyright FCI.



RECOMMENDED CIRCUIT BOARD HOLE LAYOUT

REPRESENTS PERIMETER OF 168POS. 25° SOCKET

INSERT DIRECTION OF P.C. BOARD



|             |          |                                       |    |               |            |                           |                |
|-------------|----------|---------------------------------------|----|---------------|------------|---------------------------|----------------|
| mat'l. code |          | tolerances unless otherwise specified |    | CUSTOMER COPY |            | FCI<br>www.fciconnect.com |                |
| l           | tr       | ec                                    | no | dr            | date       | linear                    | projection     |
| G           |          |                                       |    |               |            | .XX ± 0.38                | ⊕              |
|             |          |                                       |    |               |            | .XX ± 0.25                | ⊕              |
|             |          |                                       |    |               |            | .XXX ± 0.15               | ⊕              |
|             |          |                                       |    |               |            | angles                    | 0° ± 2°        |
|             |          |                                       |    | dr            | MAGGIE WU  | 01/15/98                  | product family |
|             |          |                                       |    | eng           | AINGE LIOU | 01/15/98                  | DIMM           |
|             |          |                                       |    | chr           | AINGE LIOU | 01/15/98                  | code           |
|             |          |                                       |    | app           | JENN TSAO  | 01/15/98                  | TWN            |
| sheet       | revision |                                       |    |               |            | scale                     | product family |
| index       | sheet    |                                       |    |               |            | 1:1                       | DIMM           |
|             |          |                                       |    |               |            | A4                        | code           |
|             |          |                                       |    |               |            | 74538                     | TWN            |
|             |          |                                       |    |               |            |                           | sheet          |
|             |          |                                       |    |               |            |                           | 3 of           |

PDM: Rev:G

STATUS: Released

Printed: Jul 28, 2014

Tous droits strictement réservés. Reproduction ou communication a des tiers interdite sous quelque forme que ce soit sans autorisation écrite du propriétaire. Propriété de c FCI. - Droits de reproduction FCI.



All rights strictly reserved. Reproduction or issue to third parties in any form whatever is not permitted without written authority from the proprietor. Property of FCI. Copyright FCI.

74538-□□□□

STYLE

- 1 : FOR STANDARD DRAM , 5 VOLT.
- 2 : FOR SYNC DRAM , 5 VOLT.
- 3 : FOR NON-STANDARD DRAM , 5 VOLT.
- 4 : FOR STANDRTD DRAM , BUFFERED 3.3 VOLT.
- 5 : FOR OPEN DRAM , 3.3 VOLT.
- 6 : FOR NON-BUFFERED DRAM, SYNC DRAM, REGISTERED SRAM, 3.3 VOLT.

PLASTIC PEG TYPE

- 0: DIM "D" = 3.04
- 1: DIM "D" = 3.80

TAIL LENGTH

| CODE | DIM. "B"     | DIM. "C"     | STATUS   |
|------|--------------|--------------|----------|
| 0    | 2.54<br>.100 | 2.54<br>.100 | OBSOLETE |
| 2    | 3.30<br>.130 | 3.15<br>.124 | ACTIVE   |

PLATING

| CODE | CONTACT                  | SOLDERTAIL                    | UNDERPLATE                            | CODE | CONTACT                  | SOLDERTAIL                    | UNDERPLATE                            |
|------|--------------------------|-------------------------------|---------------------------------------|------|--------------------------|-------------------------------|---------------------------------------|
| 2    | 15m"(0.38 m)<br>MIN.GOLD |                               |                                       | 7LF  | 15m"(0.38 m)<br>MIN.GOLD |                               |                                       |
| 3    | 30m"(0.76 m)<br>MIN.GOLD | 100m"(2.54 m)<br>MIN.TIN/LEAD | 50m"(1.27 m)<br>MIN.NICKEL<br>OVERALL | 8LF  | 30m"(0.76 m)<br>MIN.GOLD | 100m"(2.54 m)<br>MIN.100% TIN | 50m"(1.27 m)<br>MIN.NICKEL<br>OVERALL |
| 4    | 3m"(0.076 m)<br>MIN.GOLD |                               |                                       | 9LF  | 3m"(0.076 m)<br>MIN.GOLD |                               |                                       |

COLOR OF HOUSING AND EJECTOR

0 : BLACK HOUSING + WHITE EJECTOR + IVORY TAIL GUIDE

| PROD. NO.              | STATUS   | DIM "A" | KEY POS #1 | STYLE  | MARKING #2 | MARKING #1 |
|------------------------|----------|---------|------------|--|------------|------------|
| 74538-6120*            | ACTIVE   | 42.18   |            | FOR NON-BUFFERED DRAM, SYNC DRAM, REGISTERED SRAM, 3.3 VOLT. | NONE       | 3.3        |
| <del>74538-6000*</del> | OBSOLETE | 1.661   | TYPE "R"   |  |            |            |
| 74538-5120*            | ACTIVE   | 44.18   |            | FOR OPEN DRAM, 3.3 VOLT                                      | NO MARKING | 3.3        |
| <del>74538-5000*</del> | OBSOLETE | 1.739   | TYPE "L"   |  |            |            |
| 74538-4120             | ACTIVE   | 43.18   |            | FOR STANDARD DRAM, BUFFERED 3.3 VOLT.                        | STD        | 3.3        |
| <del>74538-4000*</del> | OBSOLETE | 1.700   | TYPE "C"   |  |            |            |
| 74538-3120*            | ACTIVE   | 44.18   |            | FOR NON-STANDARD DRAM, 5 VOLT                                | NONE       | 5.0        |
| <del>74538-3000*</del> | OBSOLETE | 1.739   | TYPE "L"   |  |            |            |
| 74538-2120*            | ACTIVE   | 43.18   |            | FOR SYNC DRAM, 5 VOLT  | SYNC       | 5.0        |
| <del>74538-2000*</del> | OBSOLETE | 1.700   | TYPE "C"   |  |            |            |
| 74538-1120*            | ACTIVE   | 42.18   |            | FOR STANDARD DRAM, 5 VOLT                                    | STD        | 5.0        |
| <del>74538-1000*</del> | OBSOLETE | 1.661   | TYPE "R"   |  |            |            |

|             |          |    |      |                                       |                     |               |                                   |                           |       |
|-------------|----------|----|------|---------------------------------------|---------------------|---------------|-----------------------------------|---------------------------|-------|
| mat'l. code |          |    |      | tolerances unless otherwise specified |                     | CUSTOMER COPY |                                   | FCJ<br>www.fciconnect.com |       |
| ltr         | ecn no   | dr | date | linear                                | .XX ± 0.25          | projection    | title 25° DIMM .050<br>168P ASS'Y |                           |       |
| G           |          |    |      | angles                                | 0° ± 2°             |               |                                   |                           |       |
|             |          |    |      | dr                                    | MAGGIE WU 01/15/98  | MM            | product family DIMM               |                           | code  |
|             |          |    |      | eng                                   | AINGE LIOU 01/15/98 | ← →           | size                              |                           | TWN   |
|             |          |    |      | chr                                   | AINGE LIOU 01/15/98 | scale         | A4 74538                          |                           | sheet |
|             |          |    |      | app                                   | JENN TSAO 01/15/98  | 1:1           | 4 of                              |                           |       |
| sheet index | revision |    |      |                                       |                     |               |                                   |                           |       |