

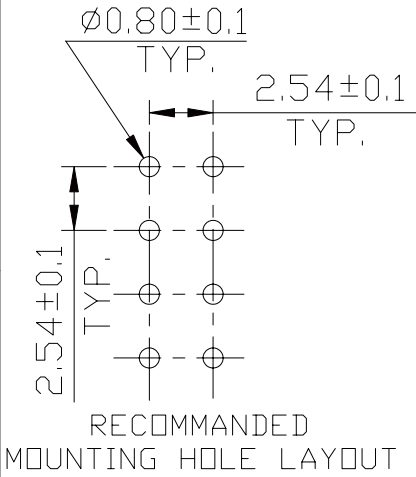
Tous droits strictement réservés. Reproduction ou communication à des tiers interdite sous quelque forme que ce soit sans autorisation écrite de la propriété de c FCI. Droits de reproduction FCI.

All rights strictly reserved. Reproduction or issue to third parties in any form whatever is not permitted without written authority from the proprietor. Property of FCI. Copyright FCI.

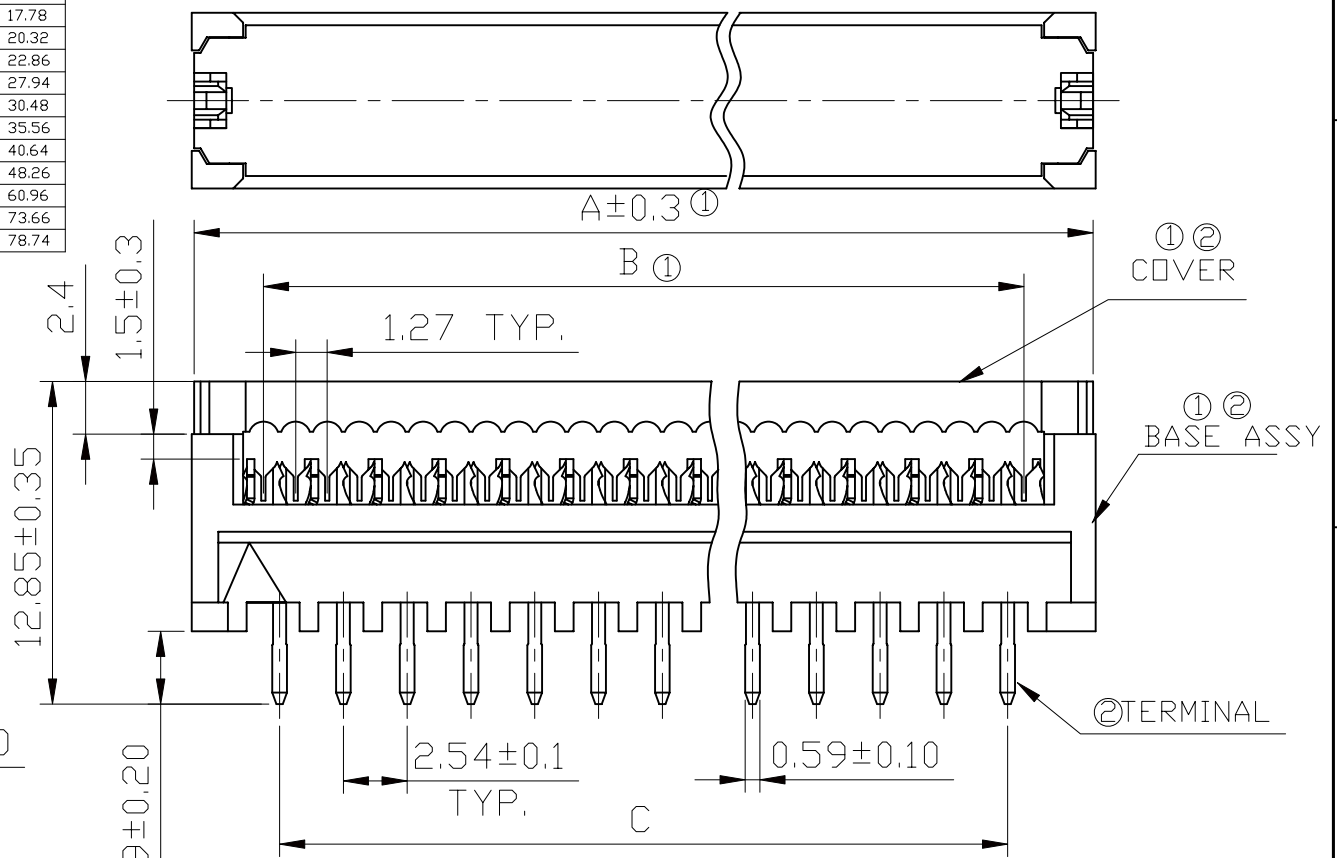
PRODUCT NO.  
69830

| REVISIONS |             |       |          |
|-----------|-------------|-------|----------|
| REV       | DESCRIPTION | BY    | DATE     |
| B         | ECR LB277   | HS    | 5/12/86  |
| C         | EC T20212   |       | 10/22/92 |
| D         | N05-0038    | Jason | 2/17/05  |
| E         | N05-0056    | Jason | 3/1/05   |

| PRODUCT NO.   | COVER P/N | BASE ASSY P/N | NO. OF POSITION | A     | B     | C     |
|---------------|-----------|---------------|-----------------|-------|-------|-------|
| 69830-006(LF) | 68118-006 | 69831-006(LF) | 6               | 12.08 | 6.35  | 5.08  |
| 69830-008(LF) | 68118-008 | 69831-008(LF) | 8               | 14.62 | 8.89  | 7.62  |
| 69830-010(LF) | 68118-010 | 69831-010(LF) | 10              | 17.16 | 11.43 | 10.16 |
| 69830-014(LF) | 68118-014 | 69831-014(LF) | 14              | 22.24 | 16.51 | 15.24 |
| 69830-016(LF) | 68118-016 | 69831-016(LF) | 16              | 24.78 | 19.05 | 17.78 |
| 69830-018(LF) | 68118-018 | 69831-018(LF) | 18              | 27.32 | 21.59 | 20.32 |
| 69830-020(LF) | 68118-020 | 69831-020(LF) | 20              | 29.86 | 24.13 | 22.86 |
| 69830-024(LF) | 68118-024 | 69831-024(LF) | 24              | 34.94 | 29.21 | 27.94 |
| 69830-026(LF) | 68118-026 | 69831-026(LF) | 26              | 37.48 | 31.75 | 30.48 |
| 69830-030(LF) | 68118-030 | 69831-030(LF) | 30              | 42.56 | 36.83 | 35.56 |
| 69830-034(LF) | 68118-034 | 69831-034(LF) | 34              | 47.64 | 41.91 | 40.64 |
| 69830-040(LF) | 68118-040 | 69831-040(LF) | 40              | 55.26 | 49.53 | 48.26 |
| 69830-050(LF) | 68118-050 | 69831-050(LF) | 50              | 67.96 | 62.23 | 60.96 |
| 69830-060(LF) | 68118-060 | 69831-060(LF) | 60              | 80.56 | 74.93 | 73.66 |
| 69830-064(LF) | 68118-064 | 69831-064(LF) | 64              | 85.74 | 80.01 | 78.74 |



- NOTES:
- ① SEE TABLE.
  - ② MATERIAL:  
 BASE POLYESTER (PET) GLASS  
 COVER 30% FILLED, UL94V-0, COLOR: BLUE.  
 TERMINAL-----PHOSPHOR BRONZE.
  - 3. FINISH:  
 69830-\*\*\*: ALL OVER SnPb PLATING 3.81um MIN. 1.27 um MIN. Ni UNDER PLATING.  
 69830-\*\*\*LF: ALL OVER PURE Sn PLATING 3.81um MIN. 1.27 um MIN. Ni UNDER PLATING.
  - 4. APPLICABLE SPECIFICATIONS:  
 PRODUCT SPEC 110-019  
 CRIMPING (I.D.C) SPEC 100-004.
  - 5. CONTACT RETENSION FORCE:  
 400gf/pin MIN. AGAINST THIS DIRECTION.
  - 6. THE HOUSING OF XXXX-XYLFF WILL WITHSTAND EXPOSURE TO 260°C PEAK TEMPERATURE FOR 5 SECONDS IN A WAVE SOLDER APPLICATION.



|             |                |                                       |         |               |                      |                        |  |
|-------------|----------------|---------------------------------------|---------|---------------|----------------------|------------------------|--|
| mat'l. code |                | tolerances unless otherwise specified |         | CUSTOMER COPY |                      | <br>www.fciconnect.com |  |
| ltr         | ecn no         | dr                                    | date    | linear        | .X ± 0.3             | projection             | <br>title<br><b>QUICKIE DIL PCB CONNECTOR (.100 SHORT LEG)</b> |
| D           | N05-0038       | ZC                                    | 2/17/05 |               | .XX ± 0.15           | MM                     |  |
| E           | N05-0056       | ZC                                    | 3/1/05  | angles        | .XXX ± 0.05          | scale                  | product family<br><b>QUICKIE</b>                               |
|             |                |                                       |         | dr            | X.±2'                | 1:1                    | code   |
|             |                |                                       |         | engr          | Zhengcai Tao 2/17/05 | A4                     | product family size<br><b>QUICKIE</b>                          |
|             |                |                                       |         | chr           | Zhengcai Tao 2/17/05 |                        | code   |
|             |                |                                       |         | appd          | Jason Zhou 2/17/05   |                        | sheet<br>1 of 1  |
| sheet index | revision sheet |                                       |         |               |                      |                        |  |