



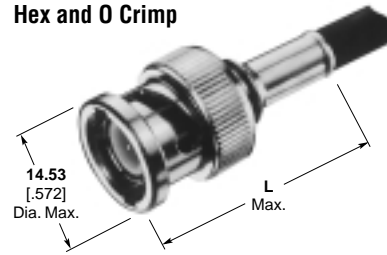
RF Coax Connectors

BNC Connectors, 75 Ohm

Plugs, Crimp

These connectors have been designed for optimum performance and have a true 75 ohm impedance the complete length of the connector. The crimp die tooling listed below is different from the equivalent 50 ohm connectors.

Hex and O Crimp



Plugs

RG/U Cable	Termination Type	Center Contact Plating	Body Plating	Dielectric	Style	Dim. L	Interchangeable Dies for PRO-CRIMPER Hand Tool 354940-1 or PRO-CRIMPER Adapter 679304-1	Interchangeable Dies for Hand Tool 69710-1 & 626 Pneu. Head 318161-1	Part No.
179, 179A, 179B, 187, 187A, 161, Belden 9221	Hex Crimp	Gold	Nickel	Polyethylene	Commercial	29.46 1.160	58425-2	—	413589-8
	O Crimp	Gold	Nickel	Polyethylene	Commercial	35.56 1.140	318451-2	—	221185-8
179	O Crimp	Gold	Nickel	Polyethylene	Economy	27.69 1.090	58559-1	—	414858-2
							—	—	414918-2^{1,3}
AT&T 735A	Hex Crimp	Gold	Nickel	Polyethylene	Commercial	29.46 1.160	58425-2	—	1-413589-0
	O Crimp	Gold	Nickel	Polyethylene	Commercial	27.69 1.090	58174-1	58248-3	1-221185-8
AT&T KS 19224 L2, RD179, Double Braid	Hex Crimp	Gold	Nickel	Polyethylene	Commercial	29.46 1.160	58425-2	—	413589-4
Belden 8218	Hex Crimp	Gold	Nickel	Polyethylene	Commercial	29.46 1.160	58425-2	—	413589-3
	O Crimp	Gold	Nickel	Polyethylene	Commercial	27.69 1.090	58174-1	58248-3	221185-3
140, 210, 62, 62A, 62B, 59, 59A, 59B, Belden 9291, 9209, 9269	Hex Crimp	Gold	Nickel	Polyethylene	Commercial	29.46 1.160	58425-1	—	413589-2
	O Crimp	Gold	Nickel	Polyethylene	Commercial	27.69 1.090	58536-1	58248-2	221185-2
59, 59A, 59B	O Crimp	Gold	Nickel	Polyethylene	Economy	27.69 1.090	58558-1	—	414858-1
							—	—	414918-1^{2,3}
302, Belden 89269, 88241, Hi-Temp 62A, Times PL-62, Berk Tek BTDC-59, BTDC-62	Hex Crimp	Gold	Nickel	Polyethylene	Commercial	29.46 1.160	58425-1	—	413589-1
Belden 8212, 9104, 9112, 9167, 9240, 9259, 9266, Times FM-59, (RG-59 Type with 20 AWG C.C.)	Hex Crimp	Gold	Nickel	Polyethylene	Commercial	29.46 1.160	58425-1	—	413589-9
	O Crimp	Gold	Nickel	Polyethylene	Commercial	27.69 1.090	58536-1	58248-2	221185-9
Belden 9145, AT&T 734A	Hex Crimp	Gold	Nickel	Polyethylene	Commercial	29.46 1.160	58425-1	—	413589-7
	O Crimp	Gold	Nickel	Polyethylene	Commercial	27.69 1.090	58536-1	—	1-221185-0
Belden 9248, 9114	O Crimp	Gold	Nickel	Polyethylene	Commercial	25.65 1.010	58536-1	—	221185-1
6, 6A	O Crimp	Gold	Nickel	Polyethylene	Commercial	37.85 1.490	58538-1	58248-1	221185-7
Belden 8281, 9141, 9231, Western Electric 724, 728, 3049	Hex Crimp	Gold	Nickel	Polyethylene	Commercial	29.46 1.160	58425-3	—	413589-5
	O Crimp	Gold	Nickel	Polyethylene	Commercial	28.45 1.120	58538-1	58248-1	221185-5
Comm/Scope S59 Hec	O Crimp	Gold	Nickel	Polyethylene	Commercial	28.96 1.140	58536-1	—	2-221185-9
Comm/Scope F59 Hec-z	O Crimp	Gold	Nickel	Polyethylene	Commercial	28.96 1.140	58536-1	—	3-221185-1
Belden 88281	O Crimp	Gold	Nickel	Polyethylene	Commercial	27.69 1.090	58538-1	—	3-221185-3

¹Kit includes connector subassembly and ferrule only, center contact part no. 1-414724-0 supplied separately on strip.

²Kit includes connector subassembly and ferrule only, center contact part no. 414724-4 supplied separately on strip.

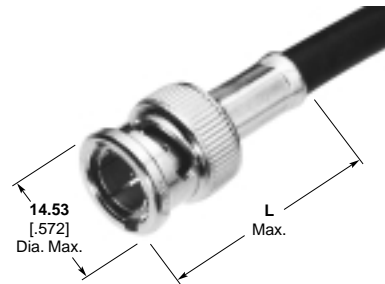
³Terminate with Amp-o-lectric terminating machine 220152-1 with applicator.

BNC Connectors, 75 Ohm (Continued)

Plugs for JIS Cables, Crimp

Plating

Body — Nickel
Center Contact — Gold

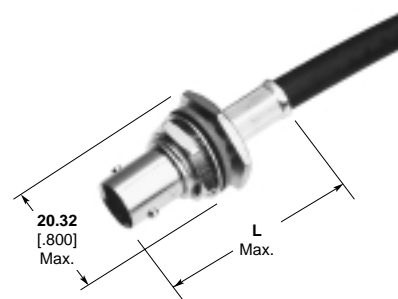


JIS Cable	Termination Type	Dielectric	Dim. L	Interchangeable Dies for PRO-CRIMPER Hand Tool 354940-1 or PRO-CRIMPER Adapter 679304-1	Part No.
5C-2V	Hex Crimp	Polymethylpentene	29.46 1.160	58425-3	1-413589-2
3C-2V	Hex Crimp	Polymethylpentene	29.46 1.160	58425-1	1-413589-1
3C-2W	Hex Crimp	Polymethylpentene	29.46 1.160	58425-1	1-413589-4
2.5C-2V	Hex Crimp	Polymethylpentene	29.46 1.160	58425-2	1-413589-6
2.5C-2W	Hex Crimp	Polymethylpentene	29.46 1.160	58425-1	1-413589-5
1.5C-2V	Hex Crimp	Polymethylpentene	29.46 1.160	58425-2	1-413589-3

Bulkhead Jacks for JIS Cables, Crimp

Plating

Body — Nickel
Center Contact — Gold
Dielectric — Polymethylpentene



JIS Cable	Termination Type	Dielectric	Dim. L	Interchangeable Dies for PRO-CRIMPER Hand Tool 354940-1 or PRO-CRIMPER Adapter 679304-1	Part No.
2.5C-2V	Hex Crimp	75Ω	36.83 1.450	58425-2	1-413590-3
2.5C-2W	Hex Crimp	75Ω	36.83 1.450	58425-1	1-413590-2
1.5C-2V	Hex Crimp	75Ω	136.83 1.450	58425-2	413590-4*

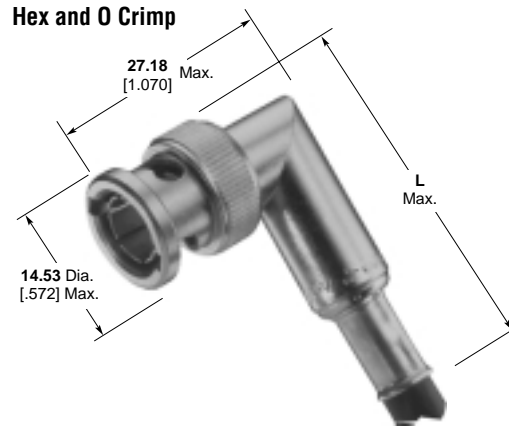
Note: All parts are packaged in 25 pieces per bag unless otherwise noted.
*Packaged in 100 pieces per bag.



RF Coax Connectors

BNC Connectors, 75 Ohm (Continued)

Right Angle Plugs, Crimp



RG/U Cable	Termination Type	Center Contact Plating	Body Plating	Dielectric	Style	Dim. L	Interchangeable Dies for PRO-CRIMPER Hand Tool 354940-1 or PRO-CRIMPER Adapter 679304-1	Interchangeable Dies for Hand Tool 69710-1 & 626 Pneu. Head 318161-1	Part No.
179, 179A, 179B, 187, 187A, 161 Belden 9221	Hex Crimp	Gold	Nickel	Polymethylpentene	Commercial	39.45 1.553	58425-2	—	413588-8
AT&T 735A	Hex Crimp	Gold	Nickel	Polymethylpentene	Commercial	39.45 1.553	58425-2	—	1-413588-0
AT&T KS 19224 L2, RD179 Double Braid	Hex Crimp	Gold	Nickel	Polymethylpentene	Commercial	39.45 1.553	58425-2	—	413588-4
Belden 8218	Hex Crimp	Gold	Nickel	Polymethylpentene	Commercial	39.45 1.553	58425-2	—	413588-3
140, 210, 62, 62A, 62B, 59, 59A, 59B, Belden 9291, 9209, 9269	Hex Crimp	Gold	Nickel	Polymethylpentene	Commercial	39.45 1.553	58425-1	—	413588-2
	O Crimp	Gold	Nickel	Polymethylpentene	Commercial	39.88 1.570	58536-1	58248-2	221402-2
302, Belden 88241, 89269, Hi-Temp 62A, Times PL-62, Berk Tek BTDC-59, BTDC-62	Hex Crimp	Gold	Nickel	Polymethylpentene	Commercial	39.45 1.553	58425-1	—	413588-1
Double Braided 59	Hex Crimp	Gold	Nickel	Polymethylpentene	Commercial	39.45 1.553	58425-3	—	413588-6
Belden 8212, 9104, 9112, 9240, 9167, 9259, 9266, Times FM-59, (RG-59 Type with 20 AWG C.C.)	Hex Crimp	Gold	Nickel	Polymethylpentene	Commercial	39.45 1.553	58425-1	—	413588-9
Belden 9145, AT&T 734A	Hex Crimp	Gold	Nickel	Polymethylpentene	Commercial	39.45 1.553	58425-1	—	413588-7
	O Crimp	Gold	Nickel	Polymethylpentene	Commercial	39.88 1.570	58536-1	—	221402-4
Belden 8281, 9141, 9231	Hex Crimp	Gold	Nickel	Polymethylpentene	Commercial	39.45 1.553	58425-3	—	413588-5

BNC Connectors, 75 Ohm (Continued)

Jacks, Crimp

Hex and O Crimp



RG/U Cable	Termination Type	Center Contact Plating	Body Plating	Dielectric	Style	Dim. L	Interchangeable Dies for PRO-CRIMPER Hand Tool 354940-1 or PRO-CRIMPER Adapter 679304-1	Interchangeable Dies for Hand Tool 69710-1 & 626 Pneu. Head 318161-1	Part No.
179, 179A, 179B, 161, 187, 187A, Belden 9221	Hex Crimp	Gold	Nickel	Polyethelene	Commercial	33.02 1.300	58425-2	—	413760-8
	O Crimp	Gold	Nickel	Polyethelene	Commercial	30.48 1.200	318451-2	—	221199-5
AT&T 735A	O Crimp	Gold	Nickel	Polyethelene	Commercial	30.48 1.200	58174-1	—	221199-6
AT&T KS 19224 L2, RD179 Double Braid	Hex Crimp	Gold	Nickel	Polyethelene	Commercial	33.02 1.300	58425-2	—	413760-4
Belden 8218	Hex Crimp	Gold	Nickel	Polyethelene	Commercial	33.02 1.300	58425-2	—	413760-3
140, 210, 62, 62A, 62B, 59, 59A, 59B, Belden 9291, 9209, 9269	Hex Crimp	Gold	Nickel	Polyethelene	Commercial	33.02 1.300	58425-1	—	413760-2
	O Crimp	Gold	Nickel	Polyethelene	Commercial	30.48 1.200	58536-1	58248-2	221199-2
302, Belden 88241, 89269, Hi-Temp 62A, Times PL-62, Berk Tek BTDC-59, BTDC-62	Hex Crimp	Gold	Nickel	Polyethelene	Commercial	33.02 1.300	58425-1	—	413760-1
Belden 8212, 9104, 9112, 9240, 9167, 9259, 9266, Times FM-59, (RG-59 Type with 20 AWG C.C.)	Hex Crimp	Gold	Nickel	Polyethelene	Commercial	33.02 1.300	58425-1	—	413760-9
AT&T 734A, Belden 9145	Hex Crimp	Gold	Nickel	Polyethelene	Commercial	33.02 1.300	58425-1	—	413760-7
Belden 9248, 9114	O Crimp	Gold	Nickel	Polyethelene	Commercial	30.48 1.200	58536-1	—	221199-1
Belden 8281, 9141, 9231, Western Electric 724, 728, 3049	Hex Crimp	Gold	Nickel	Polyethelene	Commercial	33.02 1.300	58425-3	—	413760-5

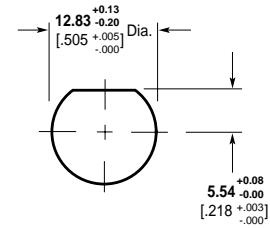
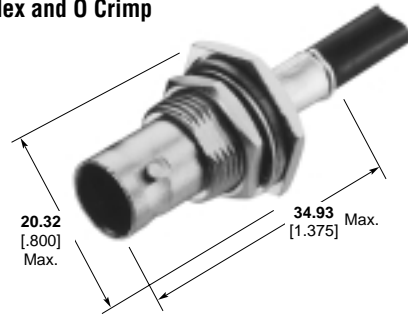


RF Coax Connectors

BNC Connectors, 75 Ohm (Continued)

Bulkhead Jacks, Crimp

Hex and O Crimp



Maximum Panel Thickness 6.1 [0.240]

Recommended Panel Cutout

RG/U Cable	Termination Type	Center Contact Plating	Body Plating	Dielectric	Style	Dim. L	Interchangeable Dies for PRO-CRIMPER Hand Tool 354940-1 or PRO-CRIMPER Adapter 679304-1	Interchangeable Dies for Hand Tool 69710-1 & 626 Pneu. Head 318161-1	Part No.
179, 179A, 179B, 161, 187, 187A, Belden 9221	Hex Crimp	Gold	Nickel	Polyethelene	Commercial	36.83 1.450	58425-2	—	413590-8
	O Crimp	Gold	Nickel	Polyethelene	Commercial	34.93 1.375	318451-2	—	221221-5
AT&T KS 19224 L2, RD179 Double Braid	Hex Crimp	Gold	Nickel	Polyethelene	Commercial	36.83 1.450	58425-2	—	413590-4
Belden 8218	Hex Crimp	Gold	Nickel	Polyethelene	Commercial	36.83 1.450	58425-2	—	413590-3
	O Crimp	Gold	Nickel	Polyethelene	Commercial	34.93 1.375	58174-1	58248-3	221221-3
140, 210, 62, 62A, 62B, 59, 59A, 59B, Belden 9291, 9209, 9269	Hex Crimp	Gold	Nickel	Polyethelene	Commercial	36.83 1.450	58425-1	—	413590-2
	O Crimp	Gold	Nickel	Polyethelene	Commercial	34.93 1.375	58536-1	58248-2	221221-2
302, Belden 88241, 89269, Hi-Temp 62A, Times PL-62, Berk Tek BTDC-59, BTDC-62	Hex Crimp	Gold	Nickel	Polyethelene	Commercial	36.83 1.450	58425-1	—	413590-1
Double Shield RG-59	Hex Crimp	Gold	Nickel	Polyethelene	Commercial	36.83 1.450	58425-3	—	413590-6
Belden 8212, 9104, 9112, 9240, 9167, 9259, 9266, Times FM-59 (RG-59 Type with 20 AWG C.C.)	Hex Crimp	Gold	Nickel	Polyethelene	Commercial	36.83 1.450	58425-1	—	413590-9
	O Crimp	Gold	Nickel	Polyethelene	Commercial	34.93 1.375	58536-1	58248-2	221221-7
AT&T 734A, Belden 9145	Hex Crimp	Gold	Nickel	Polyethelene	Commercial	36.83 1.450	58425-1	—	413590-7
Belden 9114, 9248	O Crimp	Gold	Nickel	Polyethelene	Commercial	34.93 1.375	58536-1	—	221221-1
Belden 8281, 9141, 9231, Western Electric 724, 728, 3049	Hex Crimp	Gold	Nickel	Polyethelene	Commercial	36.83 1.450	58425-3	—	413590-5

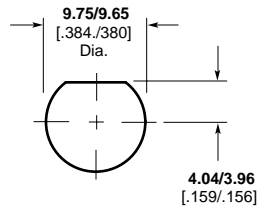
BNC Connectors, 75 Ohm (Continued)

**Bulkhead Solder Jacks
Front Mount**

Plating

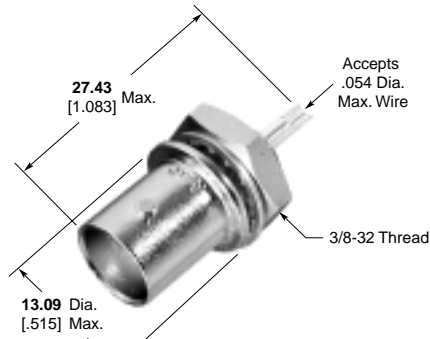
Body—Nickel

Center Contact—Silver



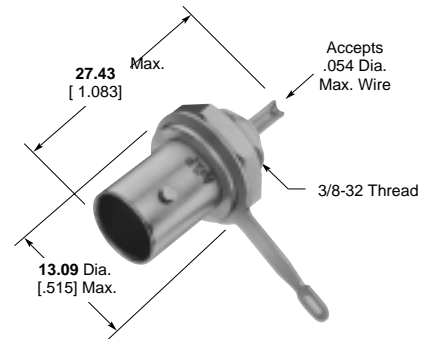
Maximum Panel Thickness 3.18 [0.125]

Recommended Panel Cutout



**Part No. 415187-1
(without Solder Terminal)**

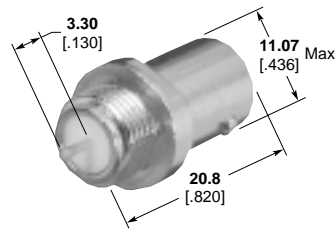
Note: If insulating bushing required use part no. 227223-1 or 221951-1 (for details, reference page 56).



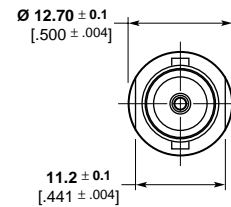
**Part No. 221244-1
(with Solder Terminal)**

Note: If insulating bushing required use part no. 227223-1 or 221951-1 (for details, reference page 56).

**Bulkhead Jack
PC Board Mount**



Part No. 1274086-1



**Bulkhead Solder Jack
Rear Mount**

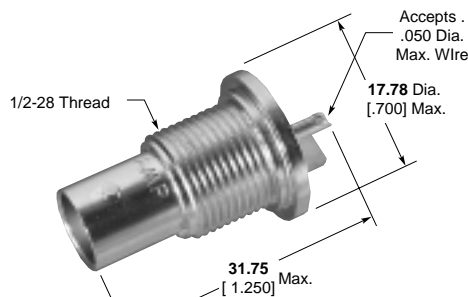
Lockwasher and Jam Nut see page 74.

Plating

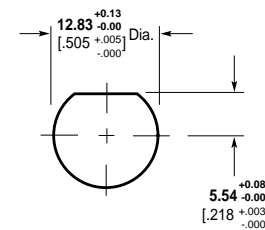
Body—Nickel

Center Contact—Gold

Dielectric—Polymethylpentene



Part No. 414217-1



Maximum Panel Thickness 6.35 [0.250]

Recommended Panel Cutout



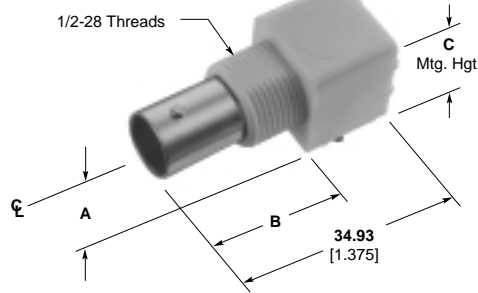
RF Coax Connectors

BNC Connectors, 75 Ohm (Continued)

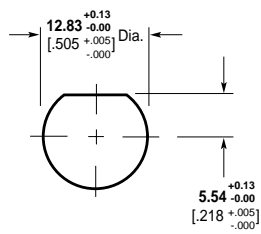
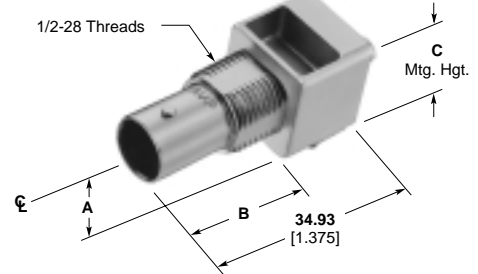
Right-Angle Jacks PC Board/Panel Mount

Outer Shell — Nickel
Dielectric — Polymethylpentene
Lockwasher and Jam Nut see page 74.

VALOX Body

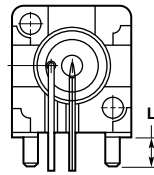


Metal Body



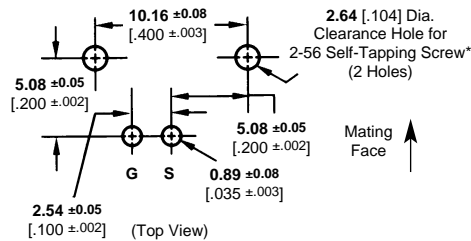
Maximum Panel Thickness 6.1 [0.240]

Recommended Panel Cutout

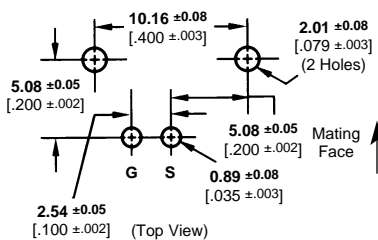


Recommended PC Board Layouts

Without Mounting Posts



With Mounting Posts



* Screw for panel thickness of **2.38** [3/32] or greater
Part No. 221108-2.
Screw for panel thickness of less than **2.38** [3/32]
Part No. 221108-4.

Body Material	Center Contact Plating	Dimensions				Part No.	
		A	B	C	L	Without Mounting Posts	With Mounting Posts
VALOX, White	Gold1	6.91 .272	21.08 .830	13.88 .519	3.48 .137	—	413194-1
*VALOX, White (Economy)	Gold1	6.91 .272	21.21 .835	13.88 .519	3.48 .137	—	415634-2
VALOX, Black	Gold1	6.91 .272	21.08 .830	13.88 .519	3.48 .137	—	413194-2
*VALOX, Black (Economy)	Gold1	6.91 .272	21.21 .835	13.88 .519	3.48 .137	—	415634-1
	Gold1	8.59 .338	21.21 .835	15.88 .625	3.48 .137	—	415633-1
VALOX, White	Gold2	8.59 .338	21.21 .835	15.88 .625	3.48 .137	—	414459-1
Metal	Gold1	8.25 .325	20.83 .820	15.88 .625	2.16 .085	—	222092-1
	Gold1	8.25 .325	20.83 .820	15.88 .625	—	222093-1	—
*Metal (Economy)	Gold1	8.25 .325	20.83 .820	15.88 .625	3.48 .137	—	414409-1
	Gold1	8.25 .325	20.83 .820	15.88 .625	—	—	414410-1
*Metal with Compliant Posts (Economy)	Gold1	6.91 .272	20.83 .820	12.70 .500	3.48 .137	—	415417-1
	Tin-Lead	8.56 .337	21.21 .835	15.88 .625	3.48 .137	—	415419-1
Metal	Silver	8.25 .325	20.83 .820	15.88 .625	2.16 .085	—	222092-2
Metal	Gold1	8.25 .325	20.83 .820	15.88 .625	3.48 .137	—	222092-3
Metal	Gold1	6.91 .272	20.83 .820	12.70 .500	3.48 .137	—	414907-1
Metal	Gold1	6.91 .272	20.83 .820	12.70 .500	—	1274072-1	—
*Metal (Economy)	Gold1	6.91 .272	20.83 .820	12.70 .500	3.48 .137	—	1274084-1
*Metal (Economy)	Gold1	6.91 .272	20.83 .820	12.70 .500	3.48 .137	—	1274084-2**
*High Temp w/ Compliant Posts (Economy)	Gold1	6.91 .272	21.21 .835	13.88 .519	2.79 .110	—	415655-1**

*Stamped and formed contact, Phosphor Bronze contact material
**IR Reflow Compatible

Plating:

Gold1 — 0.00076 [0.000030] thick
Gold2 — 0.00127 [0.000050] thick

Note: If an Insulating Bushing is required see part number 330620 and Panel Cutout on page 54.



RF Coax Connectors

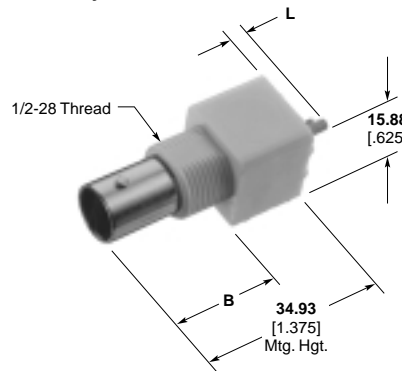
BNC Connectors, 75 Ohm (Continued)

Vertical Jacks PC Board/Panel Mount

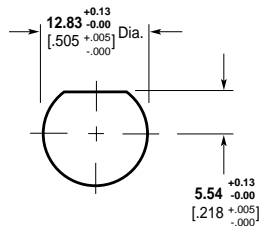
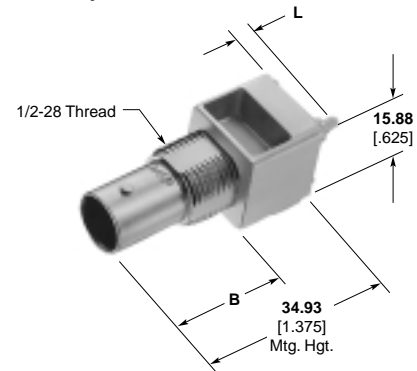
Plating

Outer Shell — Nickel
Dielectric — Polymethylpentene

VALOX Body



Metal Body



Maximum Panel Thickness 6.1 [0.240]

Recommended Panel Cutout

Lockwasher and Jam Nut



Part No.
1-329632-2



Part No.
1-329631-2

Body Material	Center Contact Plating	Dim. B	Dim. L	Part No.	
				Without Mounting Posts	With Mounting Posts
VALOX, Black	Gold1	21.2 .835	13.48 .137	414933-1	413528-1
VALOX, Black	Gold2	21.21 .835	3.48 .137	—	413528-3
*VALOX, Black (Economy)	Gold	21.21 .835	3.48 .137	—	415632-1
*VALOX, White (Economy)	Gold1	21.21 .835	3.48 .137	—	415632-2
Metal	Gold1	20.83 .820	3.48 .137	414983-1	222132-1
*Metal (Economy)	Tin-Lead	21.21 .835	3.48 .137	—	415520-1

*Stamped and formed contact, Phosphor Bronze contact material

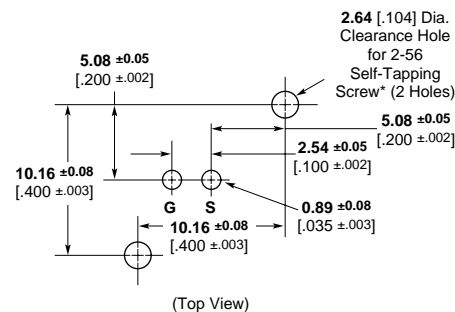
Plating:

Gold1 — 0.00076 [0.000030] thick

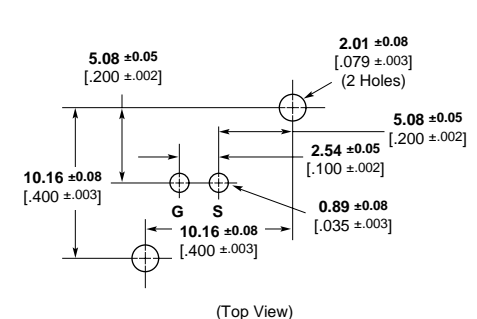
Gold2 — 0.00127 [0.000050] thick

Note: If an Insulating Bushing is required see part number 330620 and Panel Cutout on page 54.

Without Mounting Posts



With Mounting Posts



* Screw for panel thickness of 2.38 [3/32] or greater
Part No. 221108-2.
Screw for panel thickness of less than 2.38 [3/32]
Part No. 221108-4.

Recommended PC Board Layouts

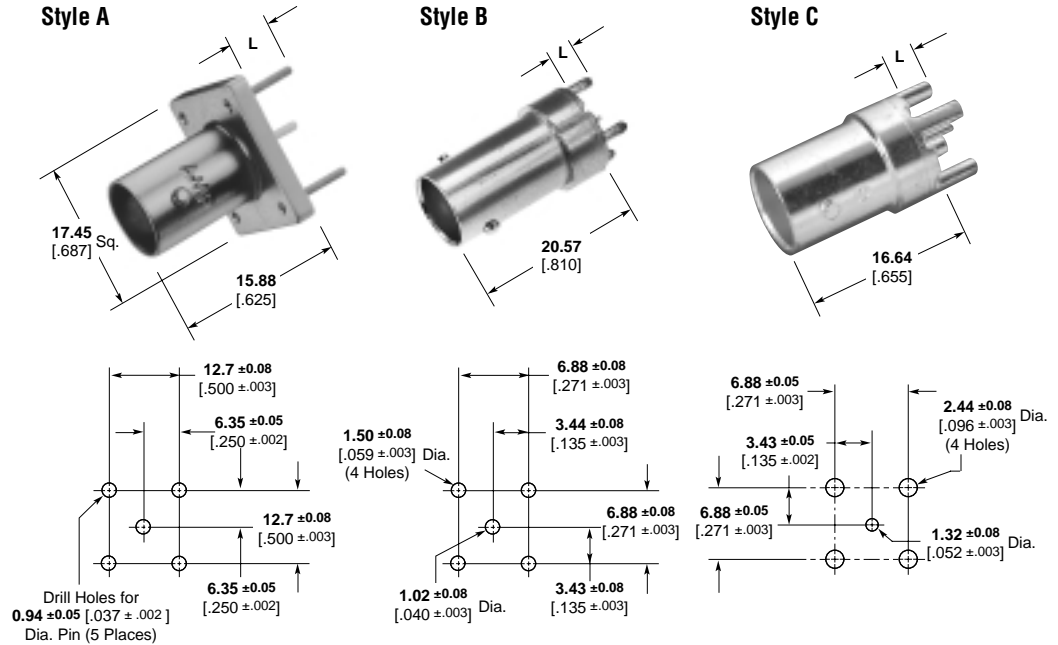


RF Coax Connectors

BNC Connectors, 75 Ohm (Continued)

Vertical Metalized Jacks PC Board Mount

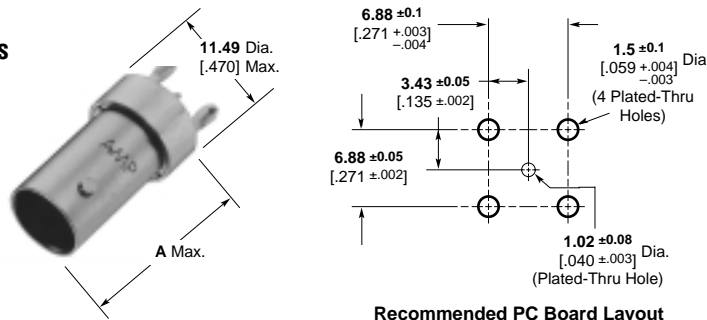
Plating
Dielectric — TEFLON



Recommended PC Board Layout

Body Plating	Center Contact Plating	Style	Leg Length L	Part No.
Nickel	Gold	B	3.30 .130	1274291-2
Tin-Lead	Gold	B	3.30 .130	1274291-1
Tin-Lead	Gold	B	6.35 .250	1274359-1
Tin-Lead	Gold	C	4.44 .175	414394-1
Nickel	Silver	A	6.35 .250	413986-1

Press Fit Vertical Metalized Jacks PC Board Mount

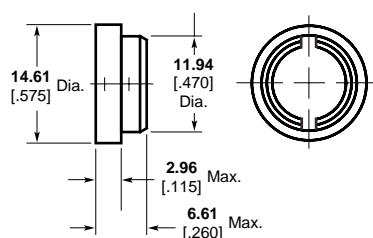


Recommended PC Board Layout

Dim. A	Part No.
20.57 .810	222462-1
16.26 .640	414088-1

Insulating Bushing

Material — Nylon
Part No. 222163-1
Only to be used on P/N 222462-1
and 222006-1

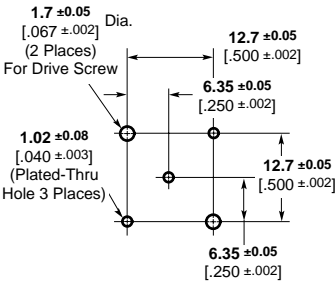
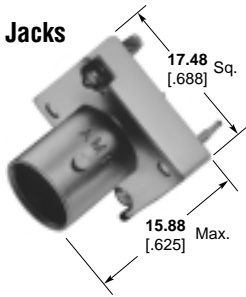




RF Coax Connectors

BNC Connectors, 75 Ohm (Continued)

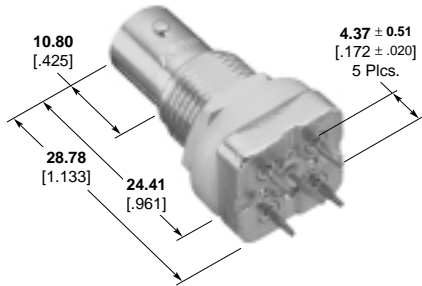
Press Fit Vertical Metalized Jacks PC Board Mount
(Continued)



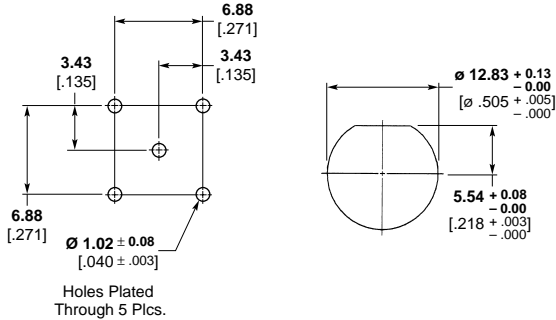
PC Board Thickness (Min.)	Part No.
2.36	221336-3
.093	
3.17	221336-4
.125	

Recommended PC Board Layout

Press Fit, Bulkhead Vertical Metalized Jack includes hardware

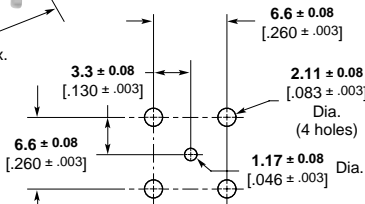
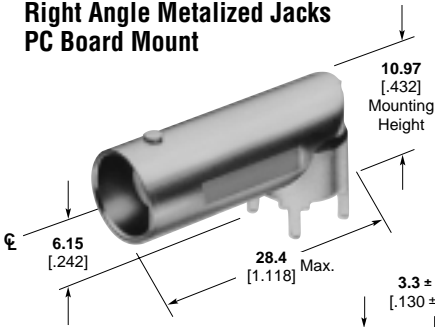


Part No. 1274124-2



Recommended PC Board Layout

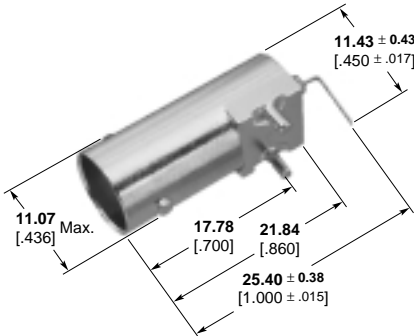
Right Angle Metalized Jacks PC Board Mount



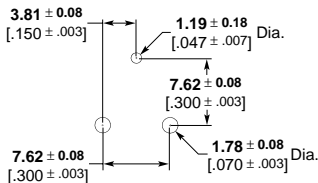
Maximum PC Board Thickness 2.54 [0.100]
Recommended PC Board Layout

Body Plating	Dielectric	Contact Plating	Center Contact Dimension	Length	Part No.
Nickel	TPX	Gold2	.171 [0.007]	4.34 [0.171]	413558-1
Tin-Lead	TEFLON	Gold2	.171 [0.007]	4.34 [0.171]	413558-2
Nickel	TPX	Gold2	.131 [0.005]	4.34 [0.171]	413558-3
Tin-Lead	TPX	Gold1	.171 [0.007]	4.34 [0.171]	413558-4
Nickel	TPX	Gold1	.171 [0.007]	4.34 [0.171]	413558-5

Gold1—0.00076 [0.000030] thick
Gold2—0.00127 [0.000050] thick



Part No. 1274127-1

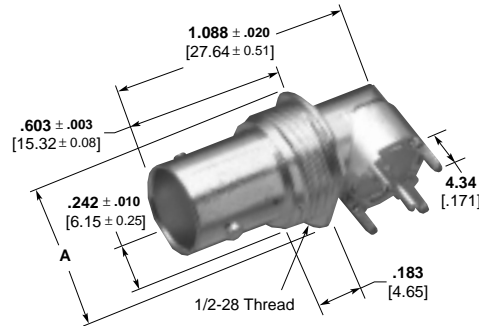
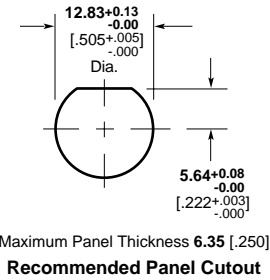
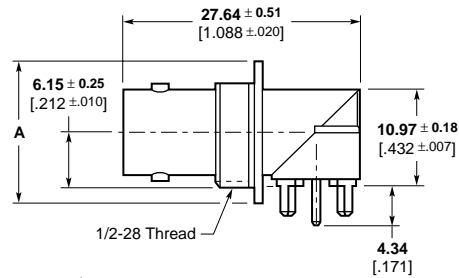




RF Coax Connectors

BNC Connectors, 75 Ohm (Continued)

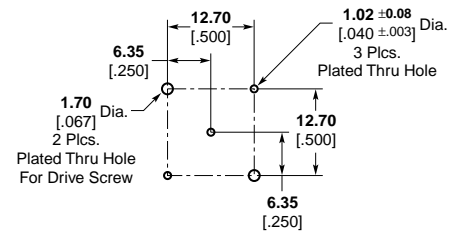
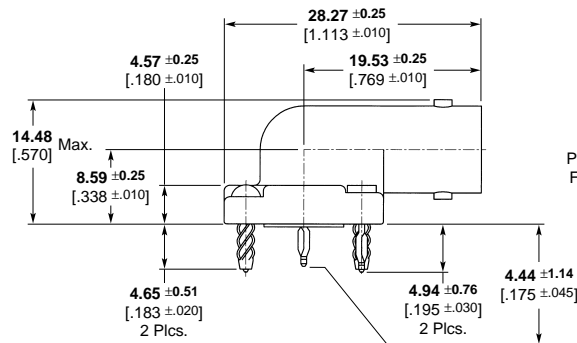
Right Angle Metalized Jacks PC Board/Panel Mount



Body Plating	Dielectric	Dim. A	Part No.
Tin-Lead	TPX	16.26 .640	415373-1
Tin-Lead	TPX	11.66 .459	1274425-2

Press Fit Right Angle Metalized Jack PC Board Mount

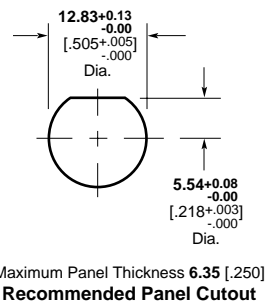
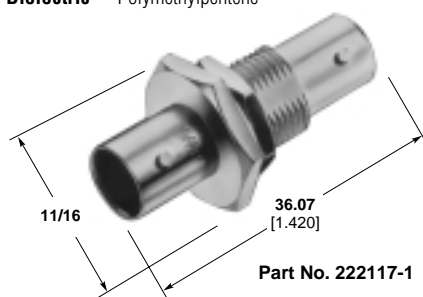
Part No. 1274028-1



Bulkhead Jack-Jack Adapter

Plating

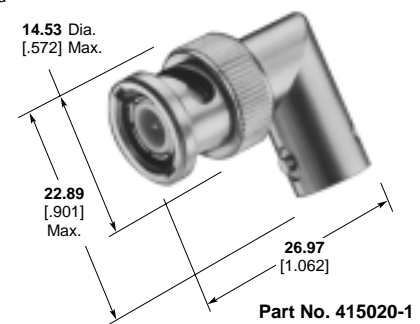
Body — Nickel
Center Contact — Gold
Dielectric — Polymethylpentene



Right Angle Adapter (Jack-Plug)

Plating

Body — Nickel
Center Contact — Gold
Dielectric — Polymethylpentene

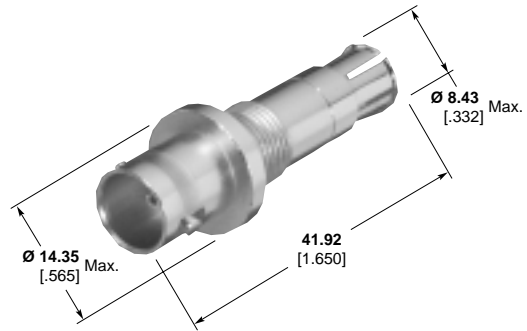




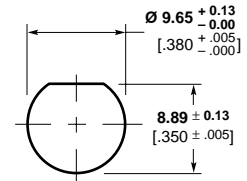
RF Coax Connectors

BNC Connectors, 75 Ohm (Continued)

Bulkhead Jack-Push On Plug Adapter



Part No. 1274007-1



Recommended Panel Cutout