



Solid State Devices, Inc.

14701 Firestone Blvd * La Mirada, Ca 90638
 Phone: (562) 404-4474 * Fax: (562) 404-1773
 ssdi@ssdi-power.com * www.ssdi-power.com

**SSR4010N
 SSR4010P**

**40 AMP
 100 VOLTS
 SCHOTTKY RECTIFIER**

Designer's Data Sheet

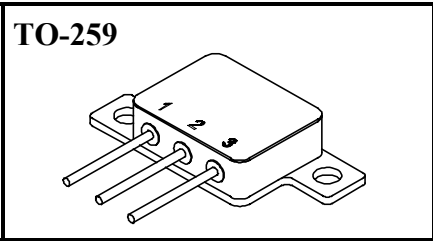
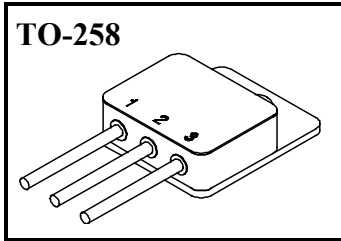
Part Number/Ordering Information ^{1/}
SSR4010

Screening ^{2/} = Not Screened
 TX = TX Level
 TXV = TXV
 S = S Level

Lead Options = Straight Leads,
 D = Bent Down, U = Bent Up

Package
 N = TO-258, P = TO-259 (.060" Dia. Leads)
 NA = TO-258, PA = TO-259 (.040" Dia. Leads)

- FEATURES:**
- PIV 100 Volts
 - Low Forward Voltage Drop
 - Low Reverse Leakage Current
 - Isolated Hermetically Sealed Power Package
 - Available with Ceramic Seals
 - Custom Lead Forming Available
 - Guard Ring for Overvoltage Protection
 - Eutectic Die Attach
 - 175°C Operating Junction Temperature
 - TX, TXV, or Space Level Screening Available



MAXIMUM RATINGS

RATING	SYMBOL	VALUE	UNIT
Peak Repetitive Reverse Voltage and DC Blocking Voltage SSR4010N, SSR4010P	V _{RRM} V _{RWM} V _R	100	Volts
Average Rectified Output Current ^{3/} (Resistive Load, 60Hz, Sine Wave, TA=25°C)	I _O	40	Amps
Peak Surge Current ^{3/} (8.3 ms Pulse, Half Sine Wave, superimposed on I _O , allow junction to reach equilibrium between pulses, TA=25°C)	I _{FSM}	400	Amps
Operating and Storage Temperature	T _{OP} & T _{STG}	-65 to +175	°C
Maximum Thermal Resistance ^{3/} Junction to Case	R _{θJC}	0.6	°C/W

NOTES: ^{1/} For ordering information, price, and availability- Contact Factory.
^{2/} Screened to MIL-PRF-19500.
^{3/} Pins 2 and 3 connected together.



Solid State Devices, Inc.

14701 Firestone Blvd * La Mirada, Ca 90638
 Phone: (562) 404-4474 * Fax: (562) 404-1773
 ssdi@ssdi-power.com * www.ssdi-power.com

SSR4010N
SSR4010P

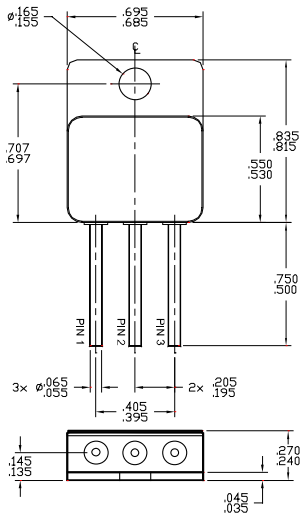
ELECTRICAL CHARACTERISTICS

CHARACTERISTICS	SYMBOL	MAXIMUM	UNIT
Instantaneous Forward Voltage Drop ($I_F = 10 \text{ A}$, $T_A = 25^\circ \text{C}$, Pulse) ($I_F = 20 \text{ A}$, $T_A = 25^\circ \text{C}$, Pulse) ($I_F = 40 \text{ A}$, $T_A = 25^\circ \text{C}$, Pulse)	V_{F1} V_{F2} V_{F3}	0.7 0.77 0.90	Vdc
Instantaneous Forward Voltage Drop ($I_F = 20 \text{ A}$, $T_A = -55^\circ \text{C}$, Pulse)	V_{F4}	0.89	Vdc
Reverse Leakage Current (Rated V_R , $T_A = 25^\circ \text{C}$, Pulse)	I_{R1}	400	μA
Reverse Leakage Current (Rated V_R , $T_A = 100^\circ \text{C}$, Pulse)	I_{R2}	20	mA
Junction Capacitance ($V_R = 10 \text{ V}$, $T_A = 25^\circ \text{C}$, $f = 1 \text{ MHz}$)	C_J	1,600	pF

Case Outlines-

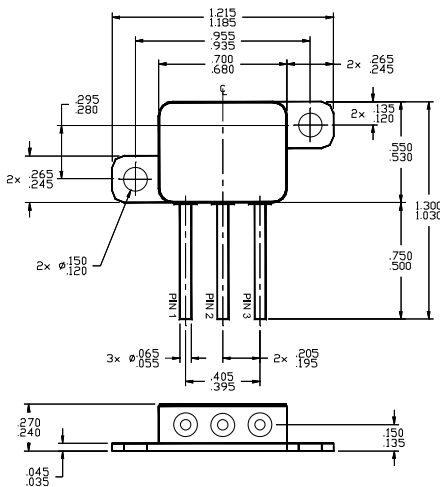
TO-258 (N Suffix)

PIN OUT:
PIN 1- CATHODE
PIN 2- ANODE
PIN 3- ANODE

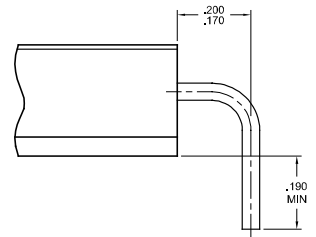


TO-259 (P Suffix)

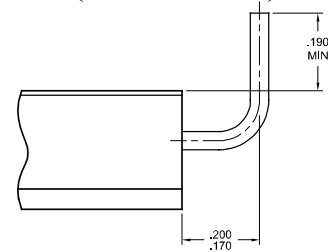
PIN OUT:
PIN 1- CATHODE
PIN 2- ANODE
PIN 3- ANODE



Optional Bent Down Leads (ND & PD Suffix)



Optional with Bent Up Leads (NU & PU Suffix)



For information on curves, contact the Factory Representative for Engineering Assistance.