



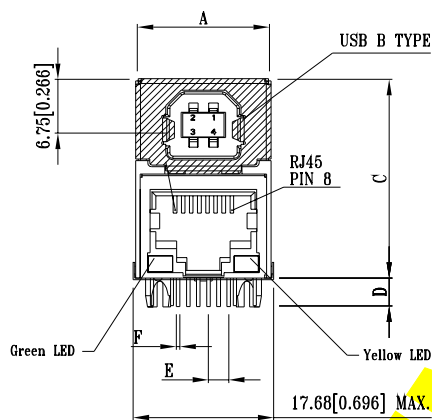
SPECIFICATION FOR APPROVAL

CUSTOMER PART NO.:
 DELTA PART NO.: RLUE1060-P1-B
 PART NAME: Lan filter in connector

REV.: F

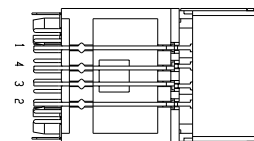
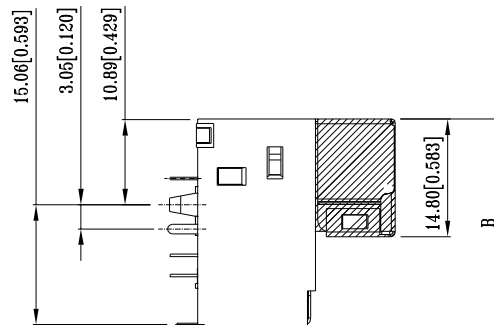
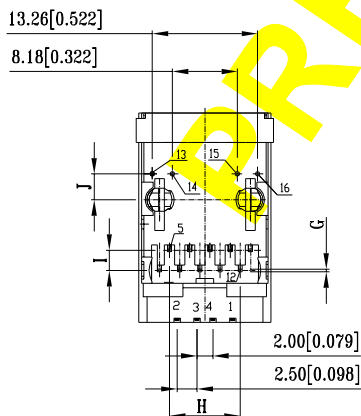


1. MECHANICAL DIMENSIONS :



UNIT : mm / inch

- A = 17.20 / 0.677 MAX.
- B = 27.00 / 1.063 MAX.
- C = 25.00 / 0.984 MAX.
- D = 3.50±0.254 / 0.138±0.010
- E = 2.54 / 0.100 (TYP)
- F = 0.50±0.127 / 0.020±0.005
- G = 0.35±0.127 / 0.014±0.005
- H = 8.89 / 0.350 (TYP)
- I = 2.54 / 0.100 (TYP)
- J = 4.06 / 0.160 (TYP)



* This specification is the proprietary of Delta Electronics, Inc.
 * This specification is only for preliminary review. If formal specification is required, please contact with our local Sales office or Rep.



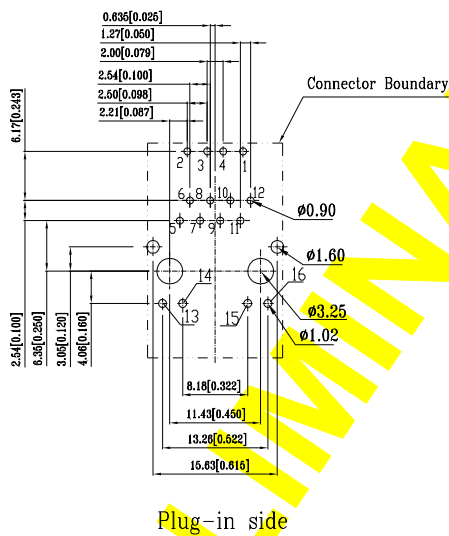
SPECIFICATION FOR APPROVAL

CUSTOMER PART NO.:
DELTA PART NO.: RLUE1060-P1-B
PART NAME: Lan filter in connector

REV.: F



2-1. RECOMMENDED P.C.B LAYOUT [COMPONENT SIDE VIEW]:



PRELIMINARY

UNIT: mm / inch
TOLERANCE: ± 0.10 / 0.004

REFERENCE ONLY

* This specification is the proprietary of Delta Electronics, Inc.
* This specification is only for preliminary review. If formal specification is required, please contact with our local Sales office or Rep.



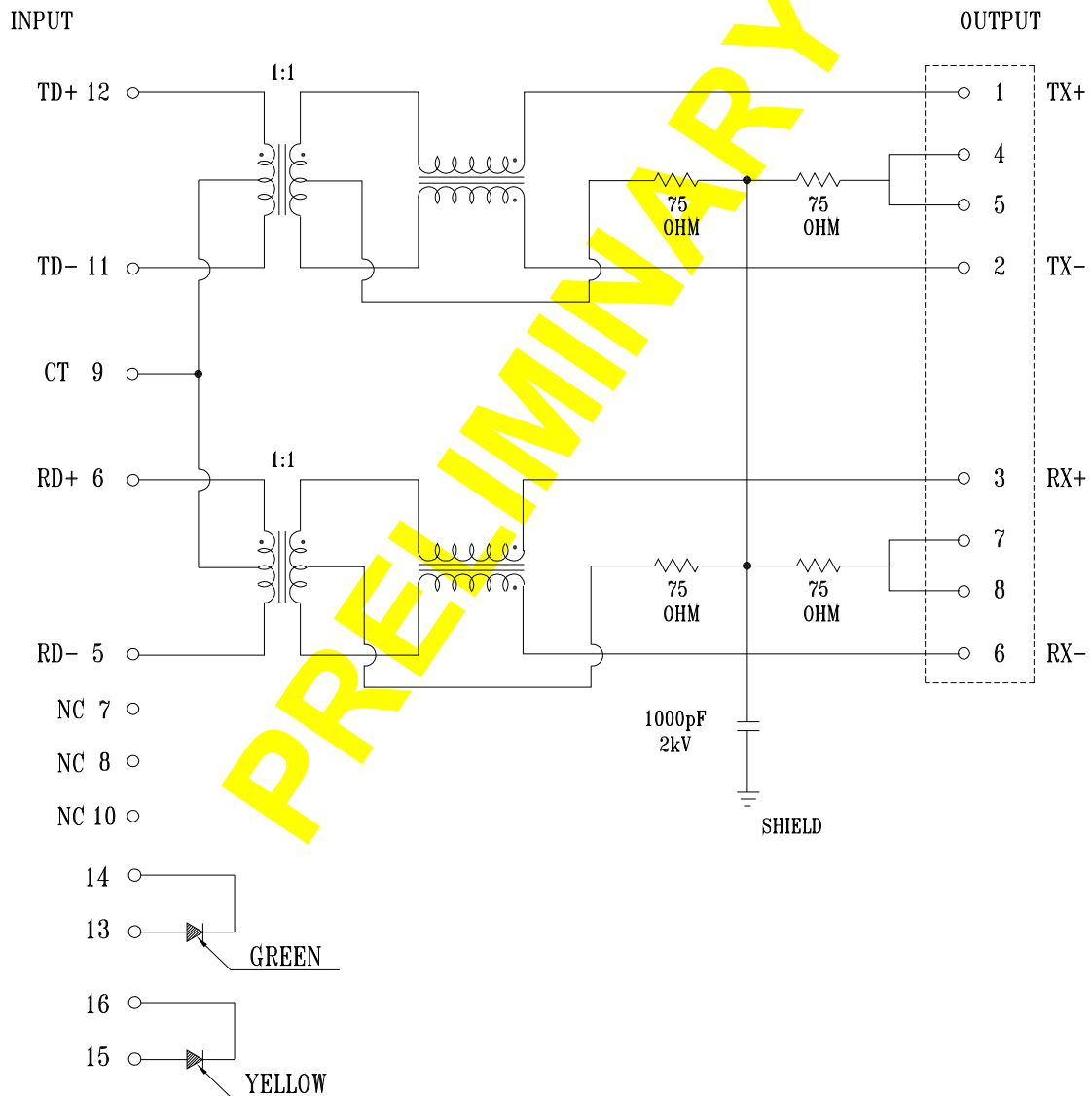
SPECIFICATION FOR APPROVAL

CUSTOMER PART NO.:
DELTA PART NO.: RLUE1060-P1-B
PART NAME: Lan filter in connector

REV.: F



3-1. CIRCUIT SCHEMATIC:



* This specification is the proprietary of Delta Electronics, Inc.

* This specification is only for preliminary review. If formal specification is required, please contact with our local Sales office or Rep.



SPECIFICATION FOR APPROVAL

CUSTOMER PART NO.:
DELTA PART NO.: RLUE1060-P1-B
PART NAME: Lan filter in connector

REV.: F



4. ELECTRICAL CHARACTERISTICS (TEMP: 25°C, HUM: 65% RH):

4-1.INSERTION LOSS:

1-100MHZ -1.0dB MAX.

4-2.RETURN LOSS:

1 -30MHZ	-18dB	MIN. LOAD	100 OHM
30-60MHZ	-16dB	MIN. LOAD	100 OHM
60-80MHZ	-12dB	MIN. LOAD	100 OHM

4-3.CROSS TALK:

1-100MHZ -30dB MIN.

4-4.COMMON TO COMMON REJECTION

1-100MHZ -30dB MIN.

4-5.ISOLATION @60HZ,1mA

Input(6-5) to Output(3-6): 1500Vrms, 60sec

Input(12-11) to Output(1-2): 1500Vrms, 60sec

4-6.INDUCTANCE:@100KHZ, 0.1Vrms, 8mA DC

(5-6),(11-12): 350uH MIN.

* This specification is the proprietary of Delta Electronics, Inc.

* This specification is only for preliminary review. If formal specification is required, please contact with our local Sales office or Rep.