

Pressure Sensor Series *PSE530*

How to Order

PSE53 **0** — **M5** —

Pressure sensing range

0	High pressure [0 to 1 MPa]
1	Vacuum [0 to -101 kPa]
2	Low pressure [0 to 101 kPa]
3	Compound pressure [-101 to 101 kPa]

Port size

M5	M5 x 0.8
-----------	----------

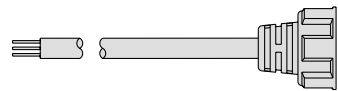
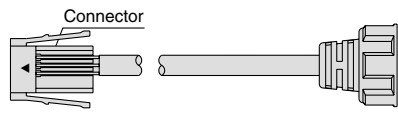


Option

When only optional parts are required, order using the part numbers listed below.

Description	Part no.	Note
Connector	ZS-26-E	4 pcs. per set
Sensor cable	ZS-26-F	Cable length: 3 m
Connector + Sensor cable	ZS-26-G	Cable length: 3 m The connector is not connected to the cable at the time of shipment.

Option

	Without cable
Nil	Sensor cable (3 m)
L	
CL	Sensor cable (3 m) + Connector (1 pc.) 

Note) At the factory, the connector is not connected to the cable, but packed together with it for shipment.

Specifications

Model	PSE530-M5	PSE531-M5	PSE532-M5	PSE533-M5
Rated pressure range	0 to 1 MPa	0 to -101 kPa	0 to 101 kPa	-101 to 101 kPa
Proof pressure	1.5 MPa	500kPa		
Fluid	Air/Non-corrosive gas			
Power supply voltage	12 to 24 VDC (Ripple $\pm 10\%$ or less)			
Current consumption	15 mA or less			
Output specification	Analog output (1 to 5 V, Output impedance: Approx. 1 k Ω)			
Accuracy	$\pm 2\%$ F.S. or less (Within rated pressure range, Ambient temperature 25° $\pm 3^\circ\text{C}$)			
Linearity	$\pm 1\%$ F.S. or less			
Repeatability	$\pm 1\%$ F.S. or less			
Power supply voltage effect	$\pm 1\%$ F.S. or less based on the analog output at 18 V ranging from 12 to 24 VDC			
Resistance	Enclosure	IP40		
	Temperature range	0° to 50°C; Stored: -10° to 70°C (No freezing or condensation)		
	Withstand voltage	1000 VAC, 50/60Hz for 1 minute between external terminals and case		
	Insulation resistance	5 M Ω between external terminals and case (at 50 VDC)		
	Vibration resistance	10 to 500 Hz at whichever is smaller of 1.5 mm amplitude or 98 m/s ² acceleration, in X, Y, Z directions, for 2 hours each (De-energized)		
	Impact resistance	980 m/s ² in X, Y, Z directions, 3 times each (De-energized)		
Temperature characteristics (Based on 25°C)	$\pm 2\%$ F.S. or less based on the analog output value at 25°C from a range of 0° to 50°C			
Port size	M5 x 0.8			
Material	Body: Stainless steel Grade 303, Internal enclosure: PPE; Pressure sensor: Silicon; O-ring: NBR			
Sensor cable/Option	Halogen-free heavy-duty cord, $\phi 2.7$, 0.15 mm ² , 3 cores, 3 m			