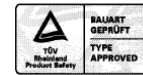
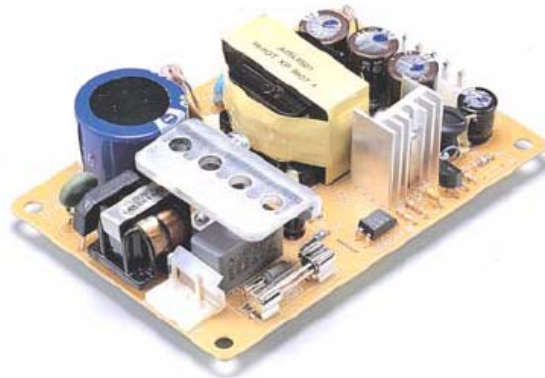




## 25 Watt Single and Multiple Output PSA25L Compact Open Frames



### Features

- 3.6" x 2.48" Footprint
- Low Profile fits 1U Height Requirement
- Low Cost
- Over Voltage and Short Circuit Protections

### Applications

- Networking
- Compact Equipment
- Peripherals and Terminals
- Microcomputers

### Safety Approvals

- cUL/UL
- TUV
- CE (Low Voltage Directive)

### Mechanical Characteristics

- Length: 91.5mm (3.6in)
- Width: 63mm (2.48in)
- Height: 29mm (1.14in)  
33.5mm(1.32in) for PSA25L-301
- Weight: 150g (5.33oz.)

### Output Specifications

Model	DC Output Voltage	Load		Ripple** P-P (max.)	Regulation	
		Min.	Max.		Line	Load
PSA25L-033*	+3.3V	0.05A	5A	50mV	±50mV	±100mV
PSA25L-050*	+5V	0.05A	4A	50mV	±50mV	±100mV
PSA25L-120*	+12V	0.05A	2A	120mV	±50mV	±100mV
PSA25L-150*	+15V	0.05A	1.7A	150mV	±50mV	±100mV
PSA25L-240*	+24V	0.05A	1A	240mV	±50mV	±100mV
PSA25L-201*	+5V	0.2A	2.6A	50mV	±3%	±5%
	+12V	0A	1A	120mV	±3%	±5%
PSA25L-202*	+5V	0.2A	2.6A	50mV	±1%	±2%
	+24V	0A	0.5A <sub>(1A PK)</sub>	240mV	±1%	±2%
PSA25L-301*	+5V	0.2A	2A	50mv	±1%	±5%
	+12V	0.1A	1A	120mV	±1%	±10%
	-12V	0A	0.3A	120mV	±1%	±5%

\*Minimum order quantity of 2000 pieces when ordering this model

\*\*Measured by using a 12 inch twisted pair terminal with a 10uF capacitor and a 0.1uF ceramic capacitor in parallel.

Phihong is not responsible for any error, and reserves the right to make changes without notice. Please visit our website at [www.phihong.com](http://www.phihong.com) for the most up-to-date specifications and contact information.

**Input:****AC Input Voltage Rating**

100 to 240V AC

**AC Input Voltage Range**

90 to 264V AC

**AC Input Frequency**

47 to 63Hz

**Input Current**

0.8-1A (RMS) maximum at 120V AC

0.4-0.5A (RMS) maximum at 240V AC

**Leakage Current**

&lt;0.25mA 254V AC, 60Hz

**Inrush Current**

30A for 120V AC at maximum load

60A for 240V AC at maximum load

(Cold start at ambient 25°C)

**Hold-up Time**

16mS minimum at maximum load, and 120V AC

**Output:****Efficiency**

16mS minimum at maximum load

**Over-Voltage Protection**

By Zener Diode Clamping

**Over-Current Protection**

Output equipped with Short Circuit Protection

**Short-Circuit Protection**

Output can be shorted permanently without damage

**Environmental:****Temperature**

Operation 0 to +40°C

Non-operation -25 to +75°C

**Humidity**

Operation 0 to 85% non-condensing

Non-operation 0 to 90% non-condensing

**Emissions**

Conducted:

FCC Class B

EN55022 Class B

Radiated:

FCC Class B

EN55022 Class A

**Immunity**

EN50082-1: 1997

EN61000-4-2 Level 2

EN61000-4-5 Level 3

**General:****Insulation Resistance**

Input to Output: 500V DC, 10M Ohm minimum

**Dielectric Withstand (Hi-pot) Test**

Input to Output: 3000V AC for 1 min., 10mA

Input to Ground: 1500V AC for 1 min, 10mA

**Switching Frequency**

100kHz Typical

**MTBF (Full load and 110V AC, 25°C)**

150K hrs minimum

**AC Input Connector**

Molex 05-50-3031 or equivalent

**DC Output Connector**

Single and Dual output:

Molex 09-50-3051 or equivalent

Single: Pin 1: NC; Pin 2, 3: COM; Pin 4, 5: V1

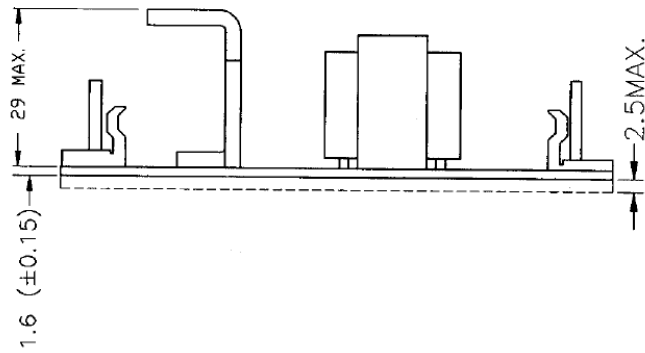
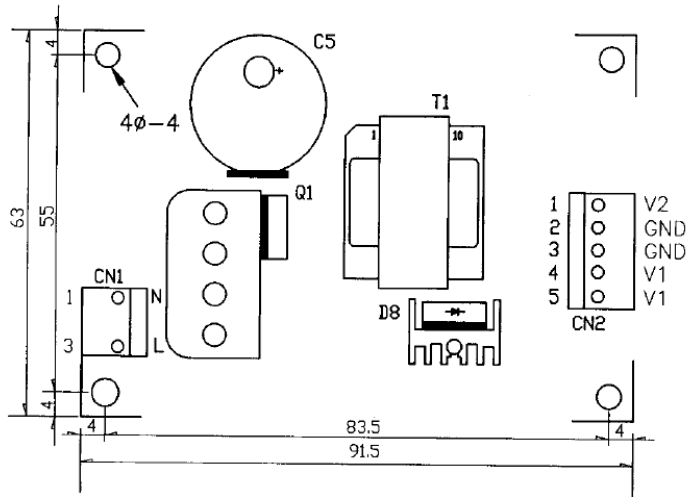
Dual: Pin 1 V2; Pin 2, 3: COM; Pin 4, 5: V1

Triple output

Molex 09-50-3061 or equivalent

Pin 1: V2; Pin 2, 3: V1; Pin 4, 5: COM; Pin 6: V3

Single & Dual Outputs:



Triple Output:

