

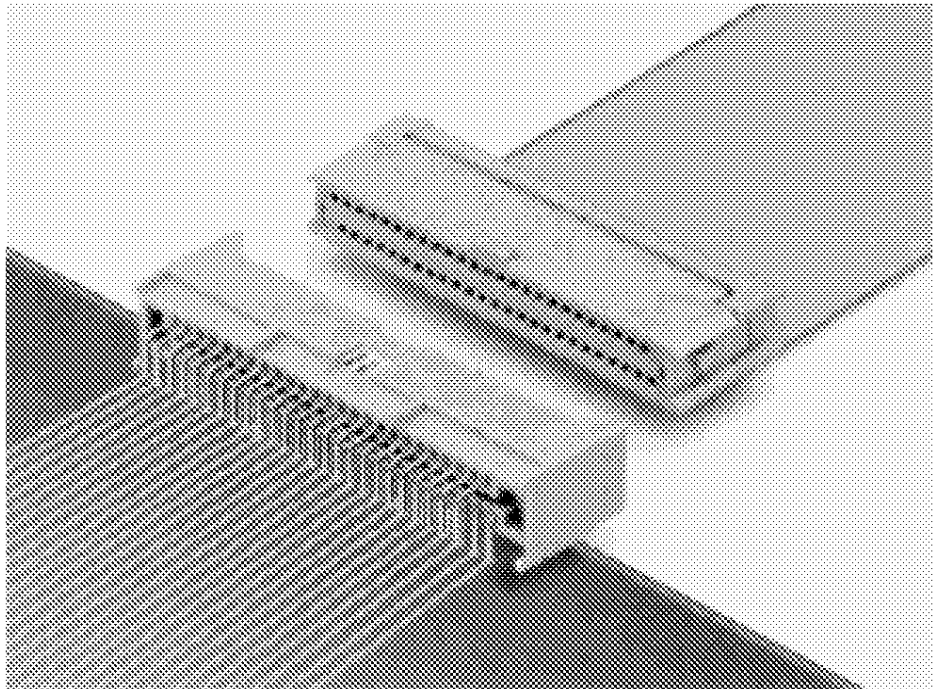
MICRO Speedy G88

for flat ribbon cable, spacing 0.635 mm

The receptacle is designed for solderless termination of ribbon cables with wire size 0.06 mm² (AWG 30) and conductor spacing 0.635 mm in miniaturized systems.

The headers offer straight or 90° solder pins which are directly soldered into pc boards. Contact spacing is 1.27 mm at a row distance of 2.54 mm. The contacts are available with selective gold plating acc. to performance class 1, 2 or 3 and thus meets the requirements of DIN 41651.

Together with MICRO Speedy RTG88B (double-row pcb connector) and MICRO Speedy RTG88C (four-row pcb connector,) MICRO Speedy G88 offers an excellent interconnection system for pcb/pcb and pcb/cable applications.



Technical Data

Insulator	Polyester GF, grey, UL94V-0
Contacts	Header: brass Receptacle: copper alloy
Contact finishes	Contact area selectively hard gold plated over nickel Termination area tinned
Termination method	Header: Solder pin, straight/90° Receptacle IDC
Socket termination	0.06 mm ² (AWG 30)
Spacing of contacts	1.27 mm / 2.54"
Number of contacts	max. 64
Temperature range acc. to DIN IE 68 Part 1	-55 / 125°C

Electrical Data

Current rating	1 A / 25°C; 0.7 A / 70°C
Test voltage	350 Vrms
Contact resistance	20 mΩ max.
Insulation resistance	5000 MΩ min.

Receptacle

Order Reference

G 88 D 50 P 7 M K A L - *

Series _____

Type _____

Contact arrangement _____
Double row

Number of contacts _____
max 64

Insulator _____
P - Polyester GF

Type of connector _____
7 - with strain relief

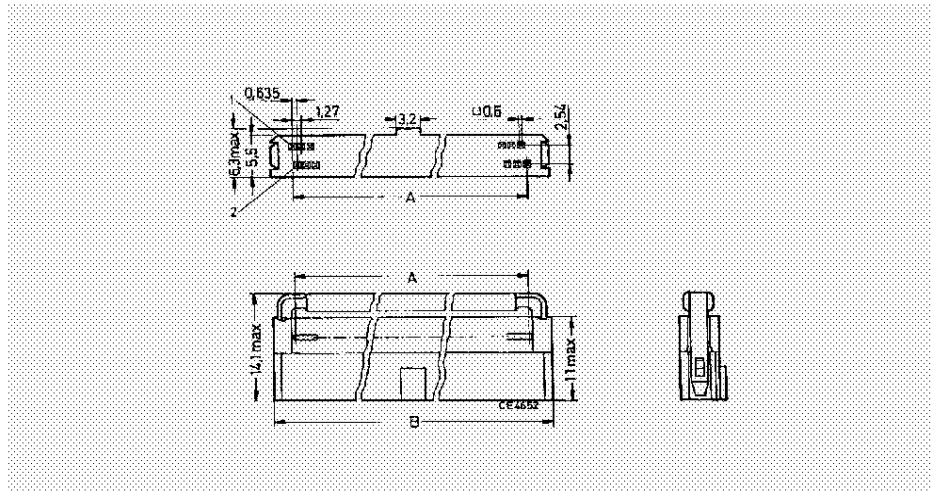
Contact spacing _____
M - 1,27 mm

Termination method _____
K - IDC termination

Mounting method _____
A - without mounting

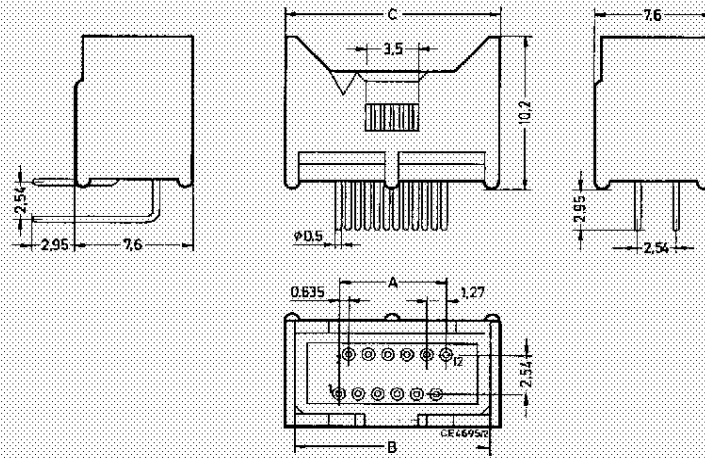
Colour _____
L - Grey

Modification _____
Please consult factory



No of contacts	Designation	Dimensions	
		A	B
12	G88D12P7MKAL	6,985	12,67
20	G88D20P7MKAL	21,065	17,75
34	G88D34P7MKAL	20,955	26,64
40	G88D40P7MKAL	24,765	30,45
50	G88D50P7MKAL	31,115	36,80
64	G88D64P7MKAL	40,005	45,69

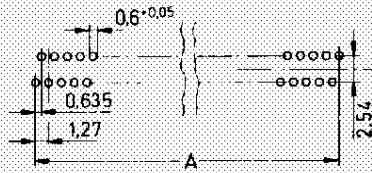
Low Profile Header, straight and 90°



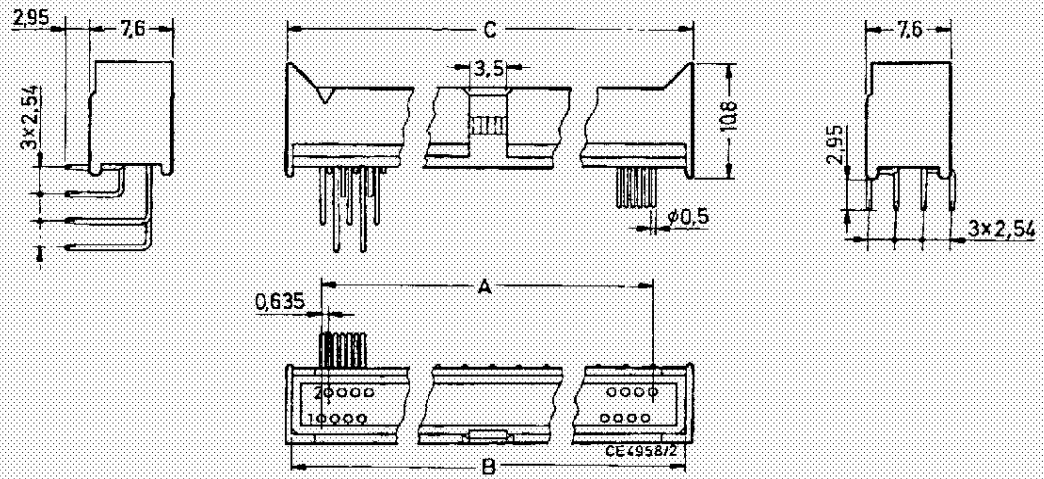
Number of contacts	Designation		Dimensions		
	solder pin, straight	solder pin 90°	A	B + 0,1	C max
12	G88D12P9MB1AL	G88D12P9ME1AL	6,985	12,87	14,00
20	G88D20P9MB1AL	G88D20P9ME1AL	10,065	17,95	19,10
34	G88D34P9MB1AL	G88D34P9ME1AL	20,955	26,85	28,00
40	G88D40P9MB1AL	G88D40P9ME1AL	24,795	30,65	31,80
50	G88D50P9MB1AL	G88D50P9ME1AL	31,115	37,00	38,15
64	G88D64P9MB1AL	-	40,005	45,90	47,00

Hole Pattern

for straight and 90° solder pins
Spacing 1,27 mm



Low Profile Header, straight and 90°



Number of contacts	Designation		Dimensions		
	solder pin, straight	solder pin 90°	A	B + 0,1	C max
20	G88D20P9NB1AL	G88D20P9NE1AL	10,065	17,95	19,10
34	G88D34P9NB1AL	G88D34P9NE1AL	20,955	26,85	28,00
40	G88D40P9NB1AL	-	24,795	30,65	31,80
50	G88D50P9NB1AL	G88D50P9NE1AL	31,115	37,00	38,15
64	G88D64P9NB1AL	-	40,005	45,90	47,00

Hole Pattern

