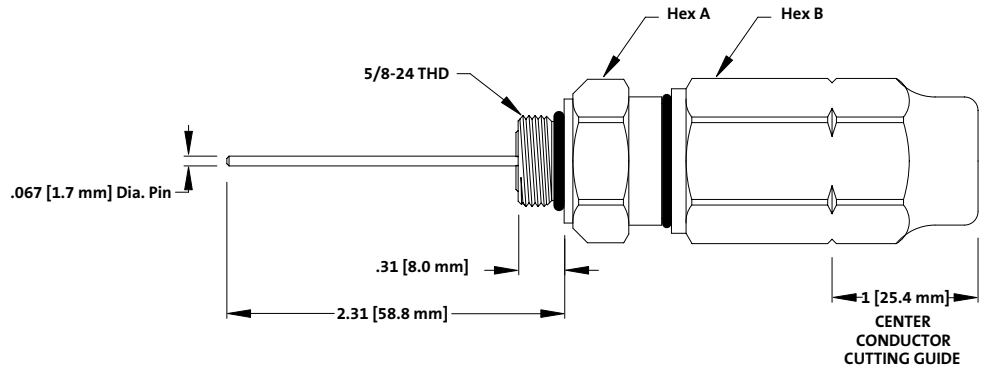


## G2™ Series 2-Piece Trunk and Distribution Connectors

G2 series 2-piece trunk and distribution connectors provide superior performance, while eliminating the common disadvantages of traditional 2-piece designs.

- Provides installers a full view of the cable's center conductor insertion into the connector seizing mechanism (no blind entry)
- Incorporates a patented support sleeve located in the back nut of the connector, minimizing cable "pull back"
- The Tri-Start thread system (patent pending) minimizes the required back nut rotations when tightening the connector
- Domed insulator at the KS interface prevents moisture from collecting between the contact pin and connector body, reducing the possibility of corrosion
- Non-rotational design for installation and disassembly
- The G2 connectors have a center conductor cutting guide
- Unique closing mechanism preserves reusability

# G2 Pin Type Connectors



## CommScope P-3 Times Fiber T-10

Cable Series	Part Number	Center Conductor	Outer Conductor	Body Hex (A)	Back Nut Hex (B)
.500	G2-500-CH-P3	.109	.500	1	1
.625	G2-625-CH-P3	.137	.625	1-1/8	1-1/8
.750	G2-750-CH-P3	.167	.750	1-1/4	1-1/4
.875	G2-875-CH-P3	.194	.875	1-3/8	1-3/8

## CommScope QR

.540	G2-540-CH-QR***	.124	.540	1-1/8	1-1/8
.715	G2-715-CH-QR***	.166	.715	1-1/4	1-1/4
.860	G2-860-CH-QR***	.203	.860	1-3/8	1-3/8

## Times Fiber TX-10

.565	G2-565-CH-TX	.129	.565	1-1/8	1-1/8
.700	G2-700-CH-TX	.165	.700	1-1/4	1-1/4
.840	G2-840-CH-TX	.194	.840	1-3/8	1-3/8

## Trilogy MC2

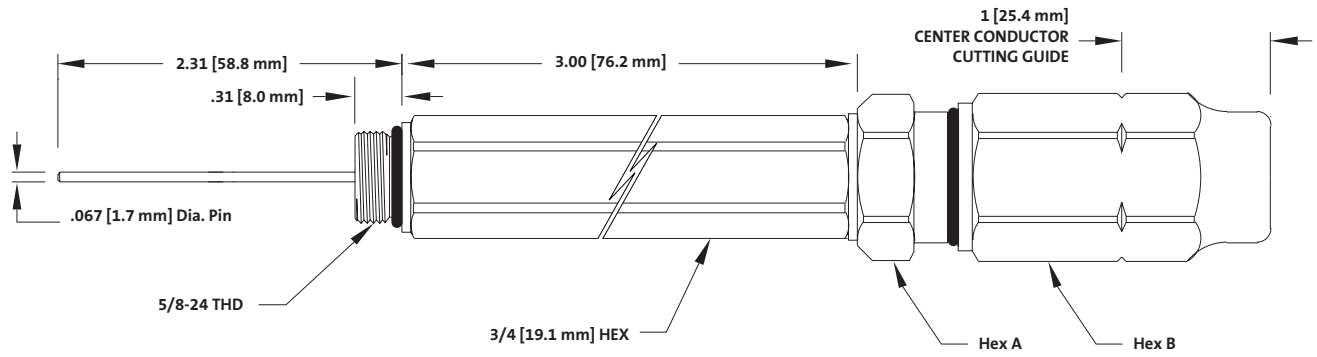
.500	G2-500-CH-MC2	.123	.510	1-1/8	1-1/8
.650	G2-650-CH-MC2	.156	.640	1-1/4	1-1/4
.750	G2-750-CH-MC2	.185	.760	1-3/8	1-3/8

## Early Generations P1 Cable

.500	G2-500-CH-P1	.100	.500	1	1
.750	G2-750-CH-P1	.148	.750	1-1/4	1-1/4

\*\*\*Incorporates a non-metallic support sleeve

# G2 Extension Connectors



## CommScope P-3 Times Fiber T-10

Cable Series	Part Number	Center Conductor	Outer Conductor	Body Hex (A)	Back Nut Hex (B)
.500	G2-500-EXT-3-P3	.109	.500	1	1
.625	G2-625-EXT-3-P3	.137	.625	1-1/8	1-1/8
.750	G2-750-EXT-3-P3	.167	.750	1-1/4	1-1/4
.875	G2-875-EXT-3-P3	.194	.875	1-3/8	1-3/8

## CommScope QR

.540	G2-540-EXT-3-QR***	.124	.540	1-1/8	1-1/8
.715	G2-715-EXT-3-QR***	.166	.715	1-1/4	1-1/4
.860	G2-860-EXT-3-QR***	.203	.860	1-3/8	1-3/8

## Times Fiber TX-10

.565	G2-565-EXT-3-TX	.129	.565	1-1/8	1-1/8
.700	G2-700-EXT-3-TX	.165	.700	1-1/4	1-1/4
.840	G2-840-EXT-3-TX	.194	.840	1-3/8	1-3/8

## Trilogy MC2

.500	G2-500-EXT-3-MC2	.123	.510	1-1/8	1-1/8
.650	G2-650-EXT-3-MC2	.156	.640	1-1/4	1-1/4
.750	G2-750-EXT-3-MC2	.185	.760	1-3/8	1-3/8

## Early Generations P1 Cable

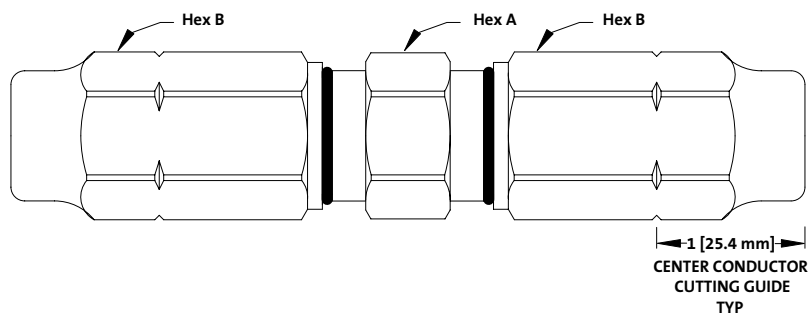
.500	G2-500-EXT-3-P1	.100	.500	1	1
.750	G2-750-EXT-3-P1	.148	.750	1-1/4	1-1/4

\*\*\*Incorporates a non-metallic support sleeve

**Note:** The part numbers listed are for the 3" extension length. Extensions are also available in 6" length. To order the 6" extension length follow the example shown below:

**Example:**  
G2-500-EXT-6-P3

## G2 Splice Connectors



### CommScope P-3 Times Fiber T-10

Cable Series	Part Number	Center Conductor	Outer Conductor	Body Hex (A)	Back Nut Hex (B)
.500	G2-500-SP-P3	.109	.500	1	1
.625	G2-625-SP-P3	.137	.625	1-1/8	1-1/8
.750	G2-750-SP-P3	.167	.750	1-1/4	1-1/4
.875	G2-875-SP-P3	.194	.875	1-3/8	1-3/8

### CommScope QR

.540	G2-540-SP-QR***	.124	.540	1-1/8	1-1/8
.715	G2-715-SP-QR***	.166	.715	1-1/4	1-1/4
.860	G2-860-SP-QR***	.203	.860	1-3/8	1-3/8

### Times Fiber TX-10

.565	G2-565-SP-TX	.129	.565	1-1/8	1-1/8
.700	G2-700-SP-TX	.165	.700	1-1/4	1-1/4
.840	G2-840-SP-TX	.194	.840	1-3/8	1-3/8

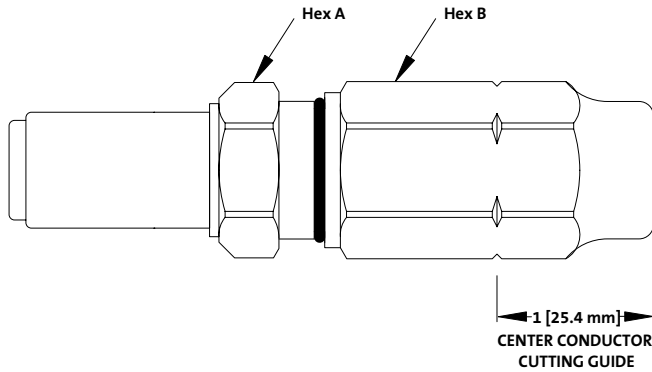
### Trilogy MC2

.500	G2-500-SP-MC2	.123	.510	1-1/8	1-1/8
.650	G2-650-SP-MC2	.156	.640	1-1/4	1-1/4
.750	G2-750-SP-MC2	.185	.760	1-3/8	1-3/8

### Early Generations P1 Cable

.500	G2-500-SP-P1	.100	.500	1	1
.750	G2-750-SP-P1	.148	.750	1-1/4	1-1/4

\*\*\*Incorporates a non-metallic support sleeve



## CommScope P-3 Times Fiber T-10

Cable Series	Part Number	Center Conductor	Outer Conductor	Body Hex (A)	Back Nut Hex (B)
.500	G2-500-TR-P3	.109	.500	1	1
.625	G2-625-TR-P3	.137	.625	1-1/8	1-1/8
.750	G2-750-TR-P3	.167	.750	1-1/4	1-1/4
.875	G2-875-TR-P3	.194	.875	1-3/8	1-3/8

## CommScope QR

.540	G2-540-TR-QR***	.124	.540	1-1/8	1-1/8
.715	G2-715-TR-QR***	.166	.715	1-1/4	1-1/4
.860	G2-860-TR-QR***	.203	.860	1-3/8	1-3/8

## Times Fiber TX-10

.565	G2-565-TR-TX	.129	.565	1-1/8	1-1/8
.700	G2-700-TR-TX	.165	.700	1-1/4	1-1/4
.840	G2-840-TR-TX	.194	.840	1-3/8	1-3/8

## Trilogy MC2

.500	G2-500-TR-MC2	.123	.510	1-1/8	1-1/8
.650	G2-650-TR-MC2	.156	.640	1-1/4	1-1/4
.750	G2-750-TR-MC2	.185	.760	1-3/8	1-3/8

## Early Generations P1 Cable

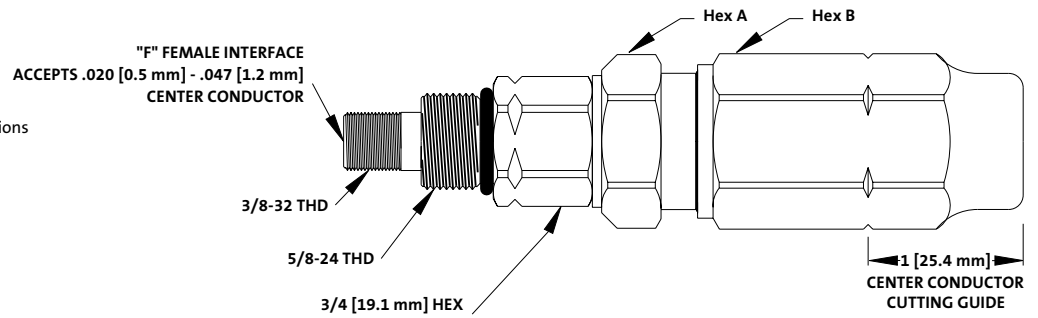
.500	G2-500-TR-P1	.100	.500	1	1
.750	G2-750-TR-P1	.148	.750	1-1/4	1-1/4

\*\*\*Incorporates a non-metallic support sleeve

# G2 BAFF Connectors



"F" Female designed for outdoor applications when used with Seal Ring (G-SR-1/2) and UltraSeal or Gilbert 360 connectors.



## CommScope P-3 Times Fiber T-10

Cable Series	Part Number	Center Conductor	Outer Conductor	Body Hex (A)	Back Nut Hex (B)
.500	G2-500-BAFF-P3	.109	.500	1	1
.625	G2-625-BAFF-P3	.137	.625	1-1/8	1-1/8
.750	G2-750-BAFF-P3	.167	.750	1-1/4	1-1/4
.875	G2-875-BAFF-P3	.194	.875	1-3/8	1-3/8

## CommScope QR

.540	G2-540-BAFF-QR***	.124	.540	1-1/8	1-1/8
.715	G2-715-BAFF-QR***	.166	.715	1-1/4	1-1/4
.860	G2-860-BAFF-QR***	.203	.860	1-3/8	1-3/8

## Times Fiber TX-10

.565	G2-565-BAFF-TX	.129	.565	1-1/8	1-1/8
.700	G2-700-BAFF-TX	.165	.700	1-1/4	1-1/4
.840	G2-840-BAFF-TX	.194	.840	1-3/8	1-3/8

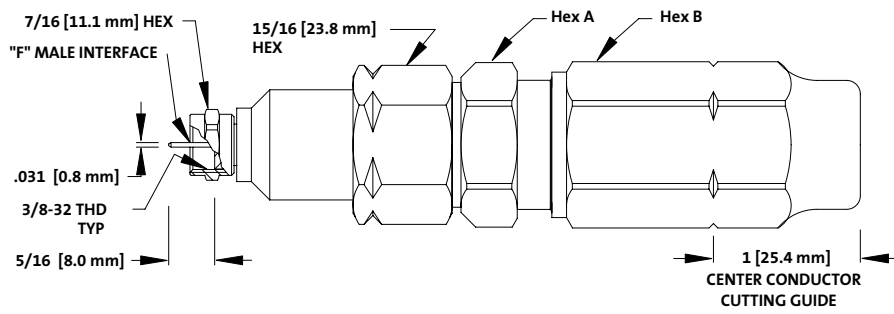
## Trilogy MC2

.500	G2-500-BAFF-MC2	.123	.510	1-1/8	1-1/8
.750	G2-750-BAFF-MC2	.185	.760	1-3/8	1-3/8

## Early Generations P1 Cable

.500	G2-500-BAFF-P1	.100	.500	1	1
.750	G2-750-BAFF-P1	.148	.750	1-1/4	1-1/4

\*\*\*Incorporates a non-metallic support sleeve



## CommScope P-3 Times Fiber T-10

Cable Series	Part Number	Center Conductor	Outer Conductor	Body Hex (A)	Back Nut Hex (B)
.500	G2-500-AFM-P3	.109	.500	1	1
.625	G2-625-AFM-P3	.137	.625	1-1/8	1-1/8
.750	G2-750-AFM-P3	.167	.750	1-1/4	1-1/4
.875	G2-875-AFM-P3	.194	.875	1-3/8	1-3/8

## CommScope QR

.540	G2-540-AFM-QR***	.124	.540	1-1/8	1-1/8
.715	G2-715-AFM-QR***	.166	.715	1-1/4	1-1/4
.860	G2-860-AFM-QR***	.203	.860	1-3/8	1-3/8

## Times Fiber TX-10

.565	G2-565-AFM-TX	.129	.565	1-1/8	1-1/8
.700	G2-700-AFM-TX	.165	.700	1-1/4	1-1/4
.840	G2-840-AFM-TX	.194	.840	1-3/8	1-3/8

## Trilogy MC2

.500	G2-500-AFM-MC2	.123	.510	1-1/8	1-1/8
.650	G2-650-AFM-MC2	.156	.640	1-1/4	1-1/4
.750	G2-750-AFM-MC2	.185	.760	1-3/8	1-3/8

## Early Generations P1 Cable

.500	G2-500-AFM-P1	.100	.500	1	1
.750	G2-750-AFM-P1	.148	.750	1-1/4	1-1/4

\*\*\*Incorporates a non-metallic support sleeve