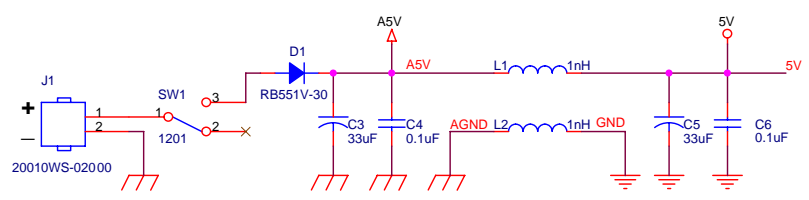
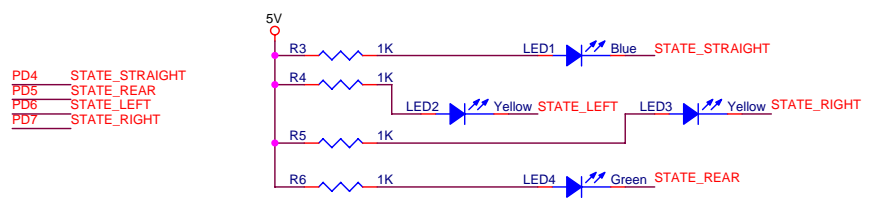


# Firmtech [FB80xED\_motor]V1.2

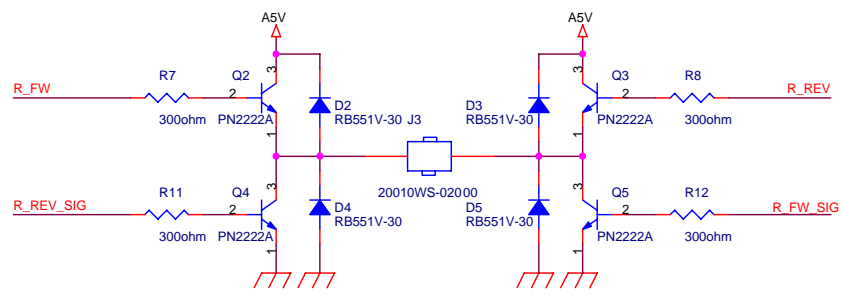


**Power Input & Isolation Part**



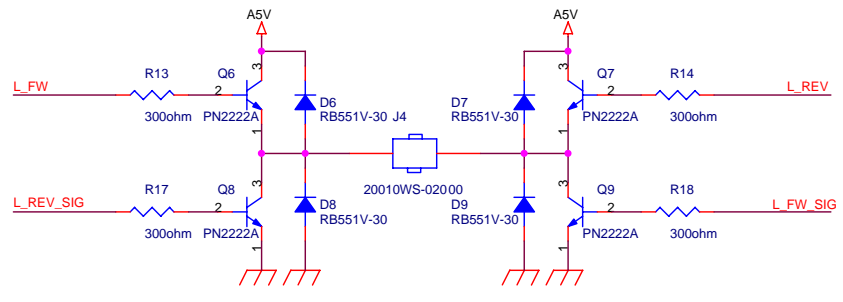
**STATUS LED Indicator Part**

**Q2 - Q5 : Forward**  
**Q3 - Q4 : Reverse**

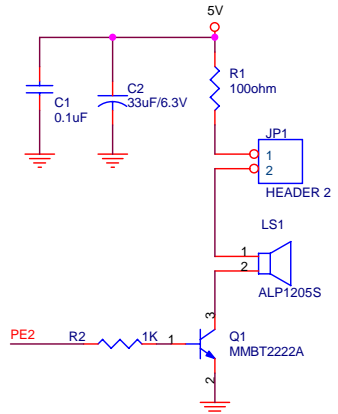


**Motor part (RIGHT)**

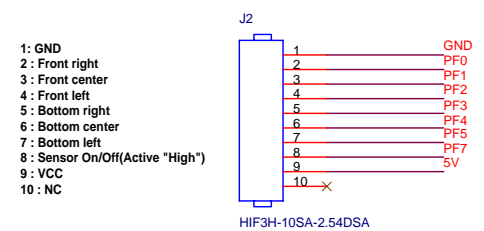
**Q6 - Q9 : Forward**  
**Q7 - Q8 : Reverse**



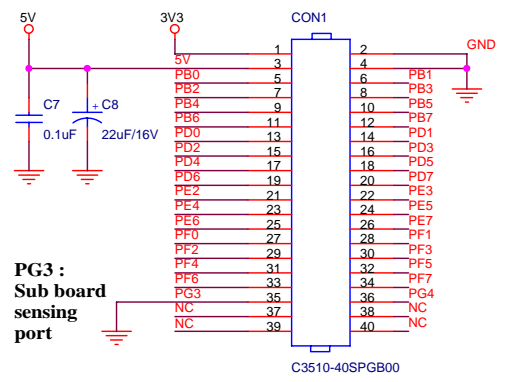
**Motor part (LEFT)**



**Buzzer Part**



**Sensor part**



**PG3 : Sub board sensing port**

**FB800\_FB801ED Interface Connector**

Firmtech co., Ltd		
Title: FB80xEV Motor Sub Board		
Size: Custom	Document Number: FB80xEV_motor V1.0	Rev: 1.0
Date: Friday, August 14, 2009	Sheet: 1	of 1