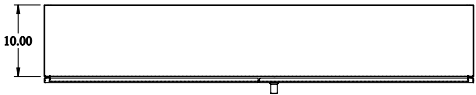
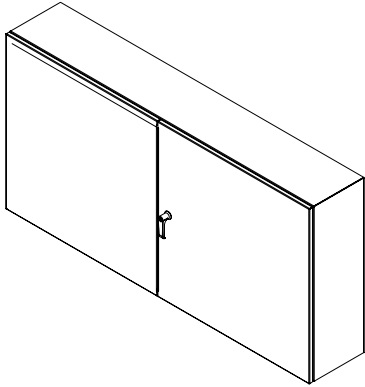
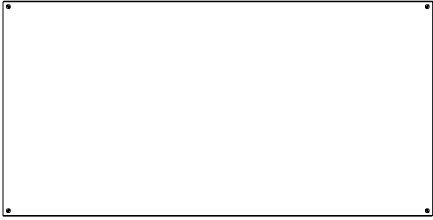


 PART No. EN4TD306010LG  
for more information visit  
[www.hammitg.com](http://www.hammitg.com)  
Date subject to change without notice  
Isometric drawing Not to Scale

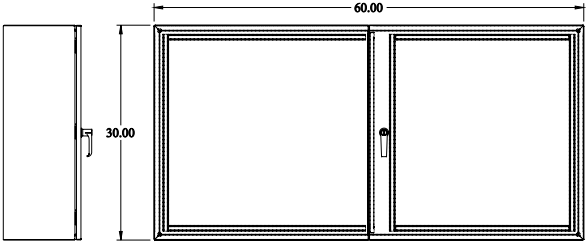


TOP VIEW

ISOMETRIC VIEW

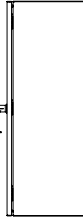


BACK VIEW

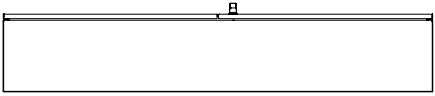


FRONT VIEW

LEFT SIDE VIEW



RIGHT SIDE VIEW



BOTTOM VIEW