

SMD SHIELDED INDUCTOR DR358-5 SERIES

Features

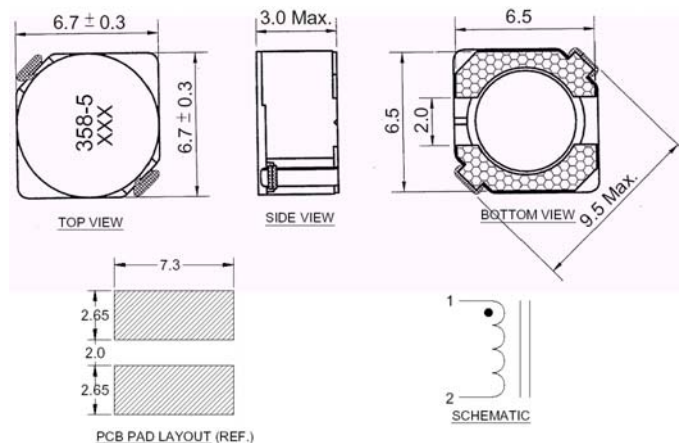
- Low Profile Surface Mount Design
- Flat Top for Pick and Place
- Inductance Range from 3.0 μ H to 100.0 μ H
- Operating Temp. -20°C to +80°C
- Tinned Leads with Leaded Solder is Available (note 7)



ELECTRICAL SPECIFICATIONS AT 25°C

Part No.	Inductance (μ H) \pm 30%	DCR (Ω) Max.	I rated (A) Max.
DR358-5-302	3.0	0.024	3.00
DR358-5-392	3.9	0.027	2.60
DR358-5-502	5.0	0.031	2.40
DR358-5-602	6.0	0.035	2.25
DR358-5-732	7.3	0.054	2.10
DR358-5-862	8.6	0.058	1.85
DR358-5-103	10.0	0.065	1.70
DR358-5-123	12.0	0.070	1.55
DR358-5-153	15.0	0.084	1.40
DR358-5-183	18.0	0.095	1.32
DR358-5-223	22.0	0.128	1.20
DR358-5-273	27.0	0.142	1.05
DR358-5-333	33.0	0.165	0.97
DR358-5-393	39.0	0.210	0.86
DR358-5-473	47.0	0.238	0.80
DR358-5-563	56.0	0.277	0.73
DR358-5-683	68.0	0.304	0.65
DR358-5-823	82.0	0.390	0.60
DR358-5-104	100.0	0.535	0.54

MECHANICAL OUTLINES



Notes:

1. All dimensions are shown in millimeter "mm"
2. General tolerance \pm 0.2mm, unless other specified
3. Inductance Test: 10kHz, 0.1Vrms
4. I_{rated} for an approximate 40°C temperature rise
5. I_{rated} for an approximate 35% drop maximum of the initial value
6. Tape and reel quantity, 1500 pcs/ 13" reel
7. For non-RoHS parts replace DR prefix with 42- (e.g. DR358-5 becomes 42-358-5)
8. Terminal finish is compliant to RoHS requirements. Solder in accordance with J-STD-020D