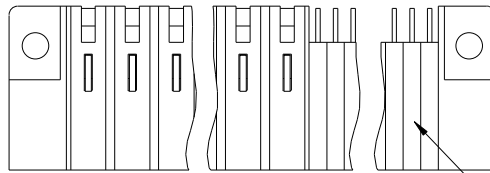


Tous droits strictement réservés. Reproduction ou communication à des tiers interdite sous quelque forme que ce soit sans autorisation écrite du propriétaire. Propriété de c.FCI. Droits de reproduction FCI.

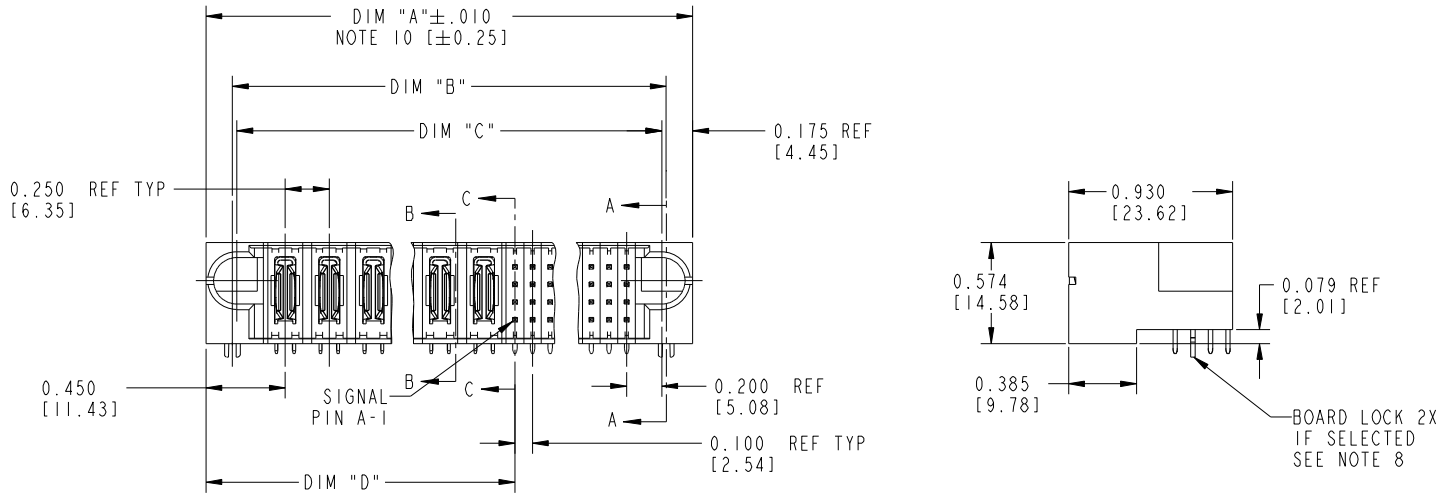


All rights strictly reserved. Reproduction or issue to third parties in any form whatever is not permitted without written authority from the proprietor. Property of FCI. Copyright FCI.

PRODUCT NUMBER  
51722-ABBCCC00EF\_..  
SEE NOTE 1



SEE NOTE 9



mat'l code				tolerances unless otherwise specified		CUSTOMER		 www.fciconnect.com		
ltr	ecn no.	dr	date	linear	.XX±.01/.X±.3	COPY		title		
H	DG05-0123	SJ	05/24/05		.XXX±.005/.XX±.13	projection		RIGHT ANGLE HEADER w/GUIDE PIN POWER / SIGNAL		
J	DG06-0011	CS	01/13/06	angles	.XXXX±.0020/.XXX±.051			product family		
K	DG06-0195	JMG	05/25/06		0°±2°	INCH/MM		POWERBLADE		
L	DG08-0239	JC	09/11/08	dr	D. BOGLE 05-18-99	scale		code		
				enr	J. BROWN 08-23-98	1:1		213		
				chr	J. BROWN 05-18-99	A		sheet		
				appd	J. BROWN 05-18-99			1 of 3		
sheet index		revision sheet		L	L	L				
				1	2	3				

Pro/E

cage code 22526

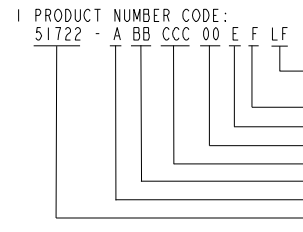
Tous droits strictement reserves. Reproduction ou communication a des tiers interdite sous quelque forme que ce soit sans autorisation écrite du propriétaire. Propriete de c FCI. Droits de reproduction FCI.

All rights strictly reserved. Reproduction or issue to third parties in any form whatever is not permitted without written authority from the proprietor. Property of FCI. Copyright FCI.

PRODUCT NUMBER
51722-ABBCC00EF--
SEE NOTE 1

DIM	LENGTH FORMULAS (SEE NOTE 10)
DIM "A"	.250 [6.35] x BB + .100 [2.54] x (CCC/4) + .650 [16.51] (NOTE 10)
DIM "B"	.250 [6.35] x BB + .100 [2.54] x (CCC/4) + .350 [8.89]
DIM "C"	.250 [6.35] x BB + .100 [2.54] x (CCC/4) + .300 [7.62]
DIM "D"	.250 [6.35] x BB + .375 [9.53]
DIM "F"	.250 [6.35] x BB + .100 [2.54] x (CCC/4) + .680 [17.27]
DIM "G"	.250 [6.35] x BB + .225 [5.72]

CONNECTOR NOTES



NO THIS SUFFIX: 100u"/2.54um SnPb ON PCB INTERFACE  
 ADD THIS SUFFIX: 78u"/2.00um Sn ON PCB INTERFACE  
 RETENTION TO PCB (NOTE 8)  
 TAIL OPTIONS (NOTE 7)  
 ALWAYS '00' (ZERO, ZERO)(NOTE 6)  
 NUMBER OF SIGNAL CONTACTS (NOTE 5)  
 NUMBER OF LEFT POWER CONTACTS (NOTE 4)  
 PLATING (NOTE 3)  
 BASE NUMBER

- 8. RETENTION TO PCB OPTIONS:  
 A = BOARD LOCK (REQUIRES .098 + .002, -.001 [2.49 +0.05, -0.03] THRU HOLE IN PCB).  
 MOUNTING FOOT THICKNESS 0.220 [5.59]  
 B = .150 [3.81] THRU HOLE (REQUIRES .158±.003 [4.01±08] THRU HOLE IN PCB).  
 MOUNTING FOOT THICKNESS 0.160 [4.06]
- 9. MANUFACTURE'S NAME, P/N, AND DATE CODE TO APPEAR ON THIS SURFACE.
- 10. THE MAXIMUM OVERALL LENGTH (DIM A) OF A PART IS 8.00 [203.2]
- 11. PRODUCT SPECIFICATION GS-12-149
- 12. REFERENCE 51730 FOR SELECT LOAD/FMLB FOR WORKSHEET

- 2. HOUSING MATERIAL: GLASS FILLED V-0 HIGH TEMP THERMO PLASTIC.  
 SIGNAL CONTACT MATERIAL: PHOS BRONZE  
 POWER CONTACT MATERIAL: COPPER ALLOY
- 3. PLATING OPTION:  
 1 = SEE PRINT I0064183 FOR PLATING SPEC OF 51722-1BBCC00EF; 51722-1BBCC00EFL
- 4. LEFT END POWER CONTACTS, 01 TO 20 AVAILABLE.  
 MAXIMUM OF 20 POWER CONTACTS PER CONNECTOR.
- 5. SIGNAL CONTACTS, 004 TO 148 AVAILABLE.
- 6. THIS PART IS NOT AVAILABLE WITH RIGHT SIDE POWER CONTACTS.
- 7. TAIL OPTIONS:  
 A = .135 [3.43] SOLDER TO BOARD

PCB NOTES:

- 13. ALL DIMENSIONS ARE BASIC UNLESS OTHERWISE SPECIFIED.
- 14. ALL THROUGH HOLES ARE LOCATED WITH A TRUE POSITION OF .004[0.10]
- 15. ALL HOLE DIAMETERS ARE FINISHED HOLE SIZE.
- 16. Ø0.0453 ±.001 [1.151 ±0.02] DRILLED HOLES PLATED WITH 0.0003 [0.007] MIN SnPb OVER 0.001 [1.03] TO .003 [0.08] PLATING TO ACHIEVE A .040±.003 [1.02±08] HOLE.
- 17. A  $\Delta$  SYMBOL WILL BE NEXT TO ANY DIMENSION, VIEW, OR NOTE WHICH HAS BEEN MODIFIED WITH THE CURRENT DRAWING REVISION.

mat'l code				tolerances unless otherwise specified		CUSTOMER		FCI		www.ficconnect.com	
ltr	ecn no.	dr	date	linear	.XX±.01/0.X±0.3	COPY				title	
L				linear	.XXX±.005/0.XX±0.13	projection				RIGHT ANGLE HEADER w/GUIDE PIN	
				angles	.XXX±.0005/0.XXX±.051					POWER / SIGNAL	
				dr	D. BOGLE 05-18-99	INCH/MM		product family		code	
				enrg	J. BROWN 05-18-99	scale		POWERBLADE		213	
				chr	J. BROWN 05-18-99	1:1		size		sheet	
				appd	J. BROWN 05-18-99			dwg no		2 of 3	
sheet index		revision sheet						A		51722	

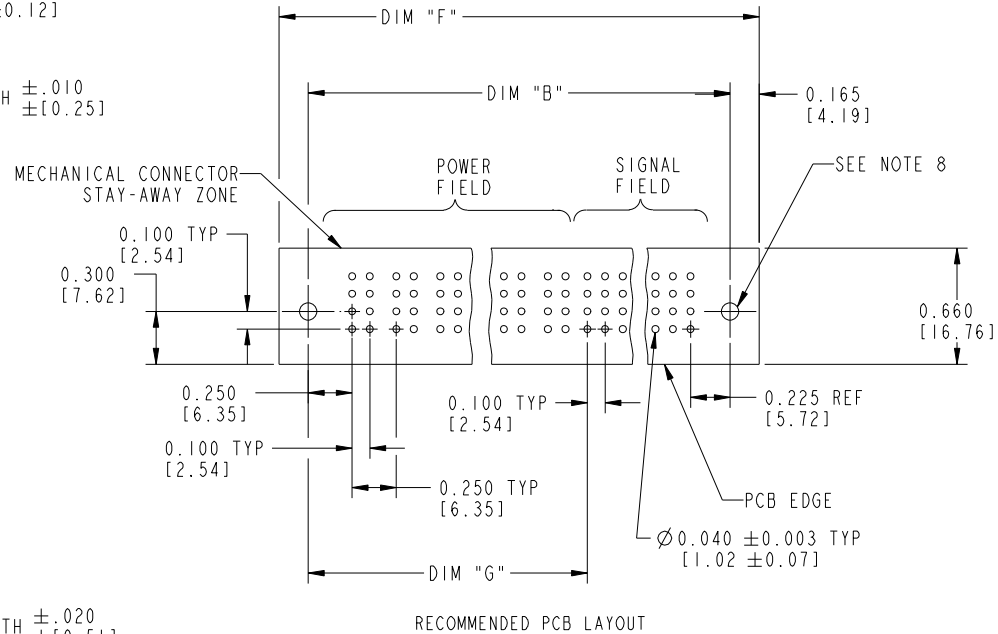
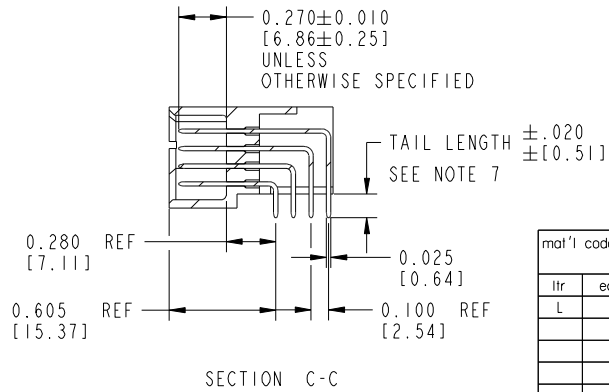
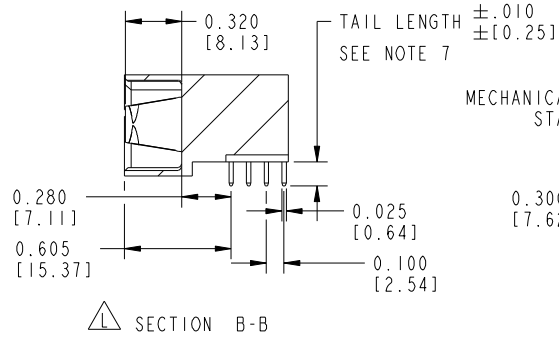
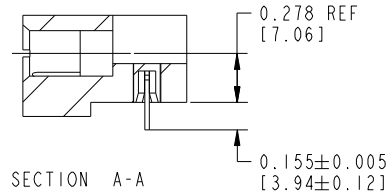
Pro/E 3 cage code 22526 4

Tous droits strictement réservés. Reproduction ou communication à des tiers interdite sous quelque forme que ce soit sans autorisation écrite du propriétaire. Propriété de c.FCI. Droits de reproduction FCI.



All rights strictly reserved. Reproduction or issue to third parties in any form whatever is not permitted without written authority from the proprietor. Property of FCI. Copyright FCI.

PRODUCT NUMBER  
51722-ABBCCC00EF\_\_  
Note ①



mat'l code		tolerances unless otherwise specified		CUSTOMER		FCI	
litr	ecn no.	dr	date	linear	.XX±.01/.X±.3	www.fciconnect.com	
L				angles	.XXX±.005/.XX±.13	title	
				dr	.XXX±.0020/.XXX±.051	RIGHT ANGLE HEADER w/GUIDE PIN POWER / SIGNAL	
				enr	0°±2°	product family POWERBLADE	
				chr		code	213
				appd		size	sheet
						dwg no	3 of 3
sheet index	revision sheet					51722	

cage code 22526

Pro/E