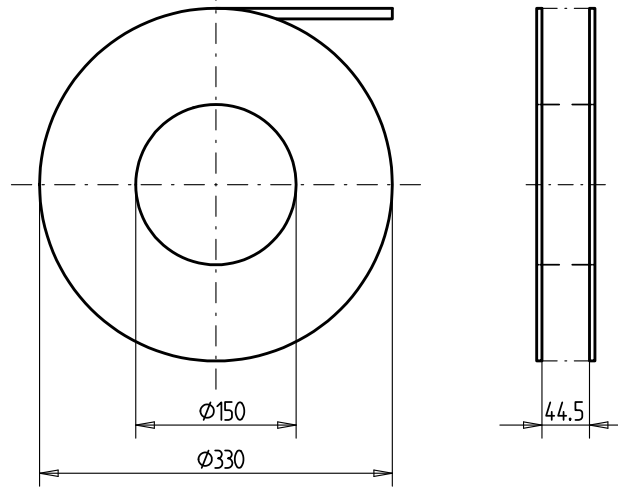
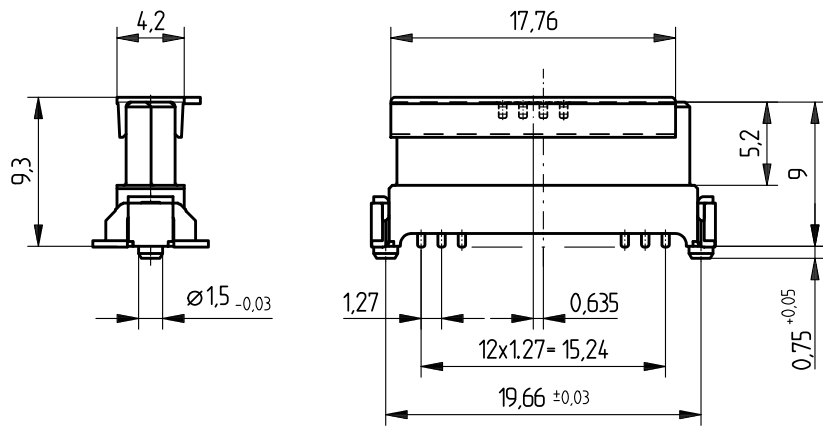
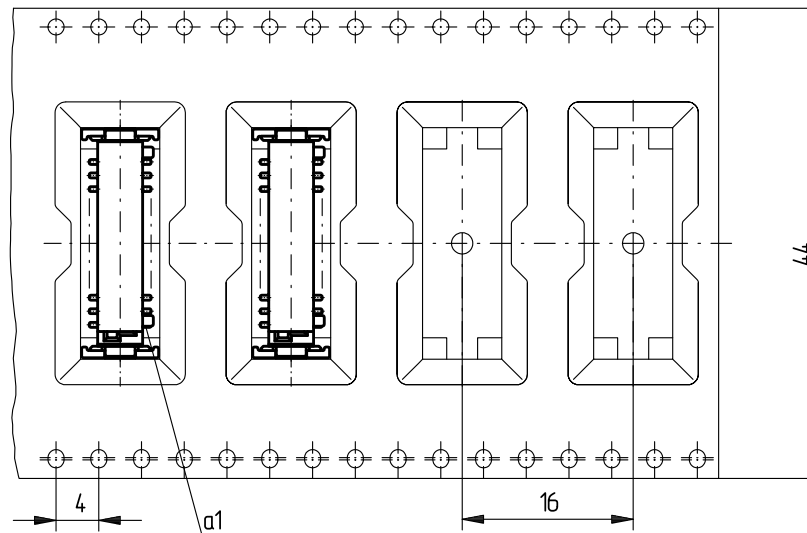


Verpackt in Gurtverpackung - *Tape on Reel Packaging*  
 Verpackungseinheit: 280 Stück - *Packaging unit: 280 pcs*



Abspulrichtung - *Reel off Direction*

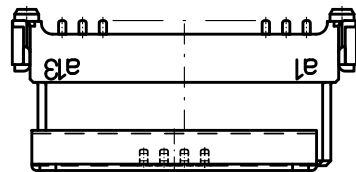
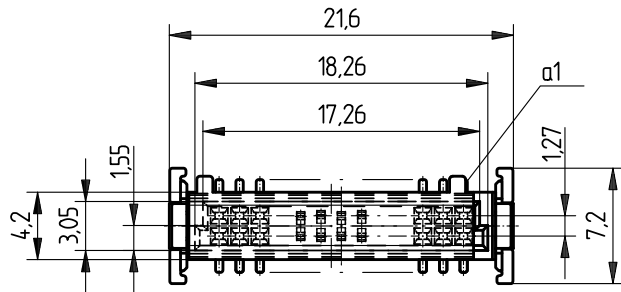


Anforderungsstufe 1  
*Performance Level 1*

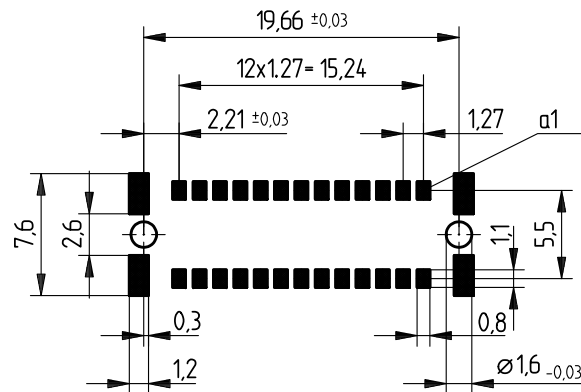
Kontaktbereich vergoldet  
*Mating Area gold plating*

Anschlussbereich verzinkt 4-6  $\mu\text{m}$   
*Terminal Area 4-6  $\mu\text{m}$  tin plating*

Koplanarität der Anschlüsse  $\leq 0.1\text{mm}$   
*Coplanarity Area of Termination  $\leq 0.1\text{mm}$*



Leiterplatten-Layout Vorschlag für SMT  
*PCB-Layout Proposal for SMT*



Standard Bauhöhe, BA 6

Standard Assembly Height, BA 6

|                                      |  |                |             |
|--------------------------------------|--|----------------|-------------|
| Information:                         | Tolerances   | Scale 3:1      | Designation |
|                                      | All rights reserved.<br>Only for information.<br>To insure that this is the latest version of this drawing, please contact one of the ERNI companies before using. |                |             |
| Consider protection memo from DIN 34 | www.ERNI.com   | 124044         | 1           |
| b<br>Index                           | 06.02.2008<br>Date   | Q-00064771.SZA | SMCB        |