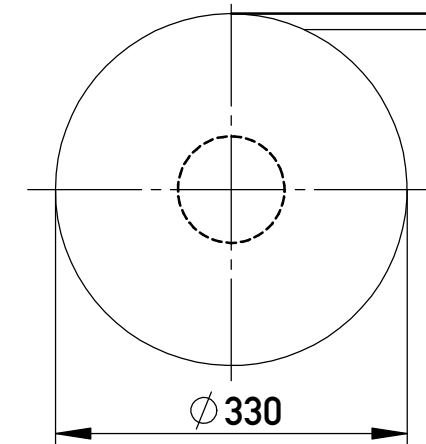
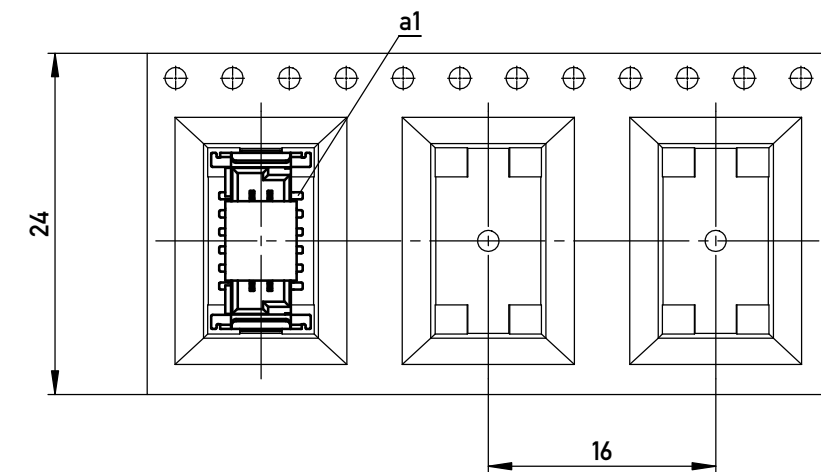


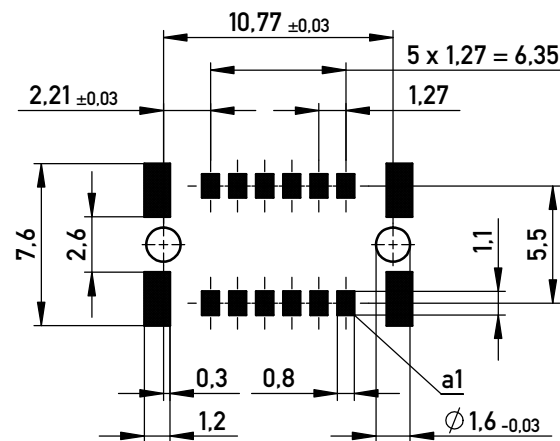
Verpackt in Gurtverpackung  
Tape on Reel Packaging  
Verpackungseinheit: 280 Stück  
Packaging unit: 280 pcs



Abspulrichtung - Reel off Direction



Leiterplatten-Layout Vorschlag für SMT  
PCB-Layout Proposal for SMT



BA 8-13 - 8mm Bauhöhe  
type 8-13 - Low Profile

Information:  All rights reserved. Only for Information. To ensure that this is the latest version of this drawing, please contact one of the ERNI companies before using.	Tolerances  All Dimensions in mm	Scale	3:1	BA 8-13 - 8mm Bauhöhe	
		Designation		type 8-13 - Low Profile	
Subject to modification without prior notice. Drawing will not be updated.		Messerl. SMC-Q 12-SMD-BA8-13 Male SMC-Q 12-SMD-type8-13		100103140003	
www.ERNI.com		K		A3	
d	22.07.2013	Class		SMCQ	
Index	Date				

Copyright by ERNI GmbH  
Proprietary notice pursuant to ISO 16016 to be observed.