

## High Efficiency SuperCap Charger for Photovoltaic Sources

### DESCRIPTION

The TS52003 is a DC/DC synchronous switching Super Capacitor Charger with fully integrated power switches, internal compensation, and full fault protection. The TS52003 utilizes a temperature-independent photovoltaic Maximum Power Point Tracking (MPPT-Lite™) calculator to optimize power output from the source during Full-Charge mode. The switching frequency of 1MHz enables the use of small filter components, which result in smaller board space and reduced BOM costs.

In Full-Charge mode the duty cycle is controlled by the MPPT-Lite™ regulator. Once termination voltage is reached, the regulator operates in voltage mode. When the regulator is disabled (EN is low), the device draws less than 15uA quiescent current from V<sub>OUT</sub>.

The TS52003 integrates a wide range of protection circuitry; including input supply under-voltage lockout, output over-voltage protection, current limit, and thermal shutdown.

The TS52003 includes supervisory reporting through the nFLT (Inverted Fault) open drain output to interface other components in the system. Device programming is achieved by an I<sup>2</sup>C interface through SCL and SDA pins.

### FEATURES

- Utilizes a temperature-independent PV MPPT-Lite™ regulation scheme
- V<sub>OUT</sub> reverse current blocking
- Wide input voltage range: 3.2V to 7.2V
- Up to 1.5A continuous output current
- Programmable temperature-compensated termination voltage with a ± 1% tolerance
- User programmable termination voltage
- High efficiency – up to 92% at typical load
- Current mode PWM control in constant voltage
- Input supply under voltage lockout
- Full protection for V<sub>OUT</sub> over-voltage
- Device over-current and over-temperature protection
- I<sup>2</sup>C program interface with EEPROM registers
- V<sub>OUT</sub> reverse current blocking
- Charge status indication

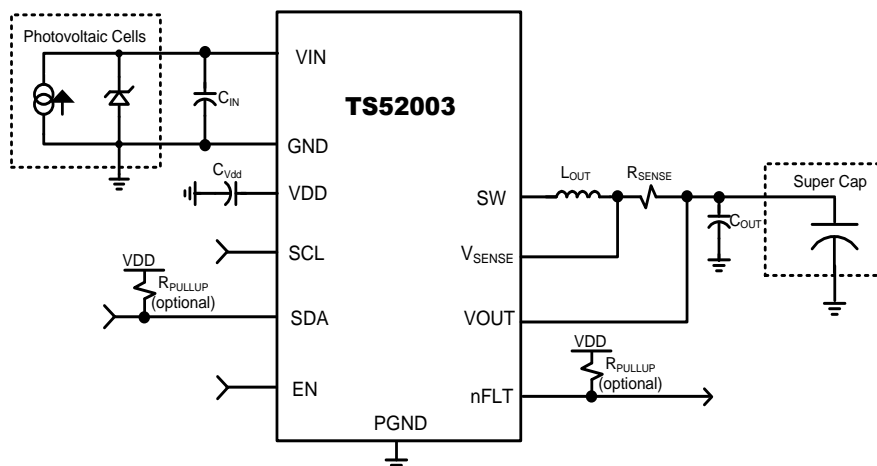
### SUMMARY SPECIFICATIONS

- Packaged in a 16pin QFN (4x4)

### APPLICATIONS

- Off-grid systems
- Wireless sensor networks
- Smoke detectors
- HVAC controls

### TYPICAL APPLICATION



## PINOUT

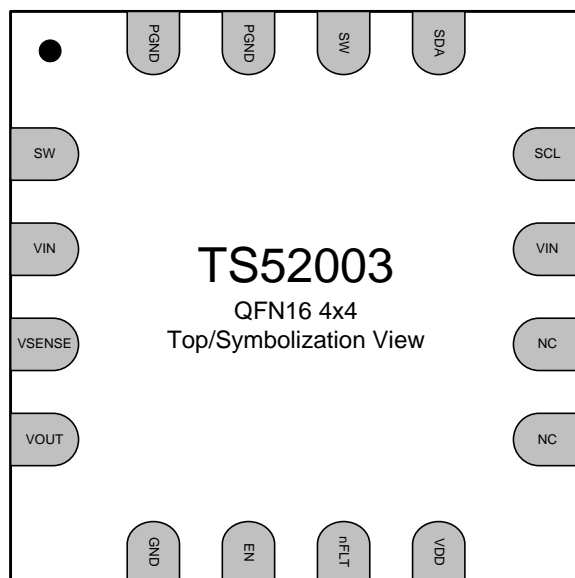


Figure 1b: Package Pinout Diagram

## PIN DESCRIPTION

Pin Symbol	Pin #	Function	Description
SW	1	Switching Voltage Node	Connected to 4.7uH (typical) inductor
VIN	2	Photovoltaic Input Voltage	Input voltage
VSENSE	3	Current Sense Positive Input	Positive input for the MPP current loop.
VOUT	4	Super Cap Voltage	Regulator Feedback Input
GND	5	GND	Primary ground for the majority of the device except the low-side power FET.
EN	6	Enable Input	Above 2.2V the device is enabled. GND the pin to disable the device. Includes internal pull-up.
nFLT	7	Inverted Fault	Open-drain output.
VDD	8	Internal 3.3V Supply Output	Connected to 100nF capacitor to GND
	9	Unused	GND in application
	10	Unused	GND in application
VIN	11	Photovoltaic Input Voltage	Input voltage
SCL	12	Clock Input	I <sup>2</sup> C clock input.
SDA	13	Data Input/Output	I <sup>2</sup> C data open-drain output.
SW	14	Switching Voltage Node	Connected to 4.7uH (typical) inductor
PGND	15	Power GND	GND supply for internal low-side FET/integrated diode
PGND	16	Power GND	GND supply for internal low-side FET/integrated diode

## FUNCTIONAL BLOCK DIAGRAM

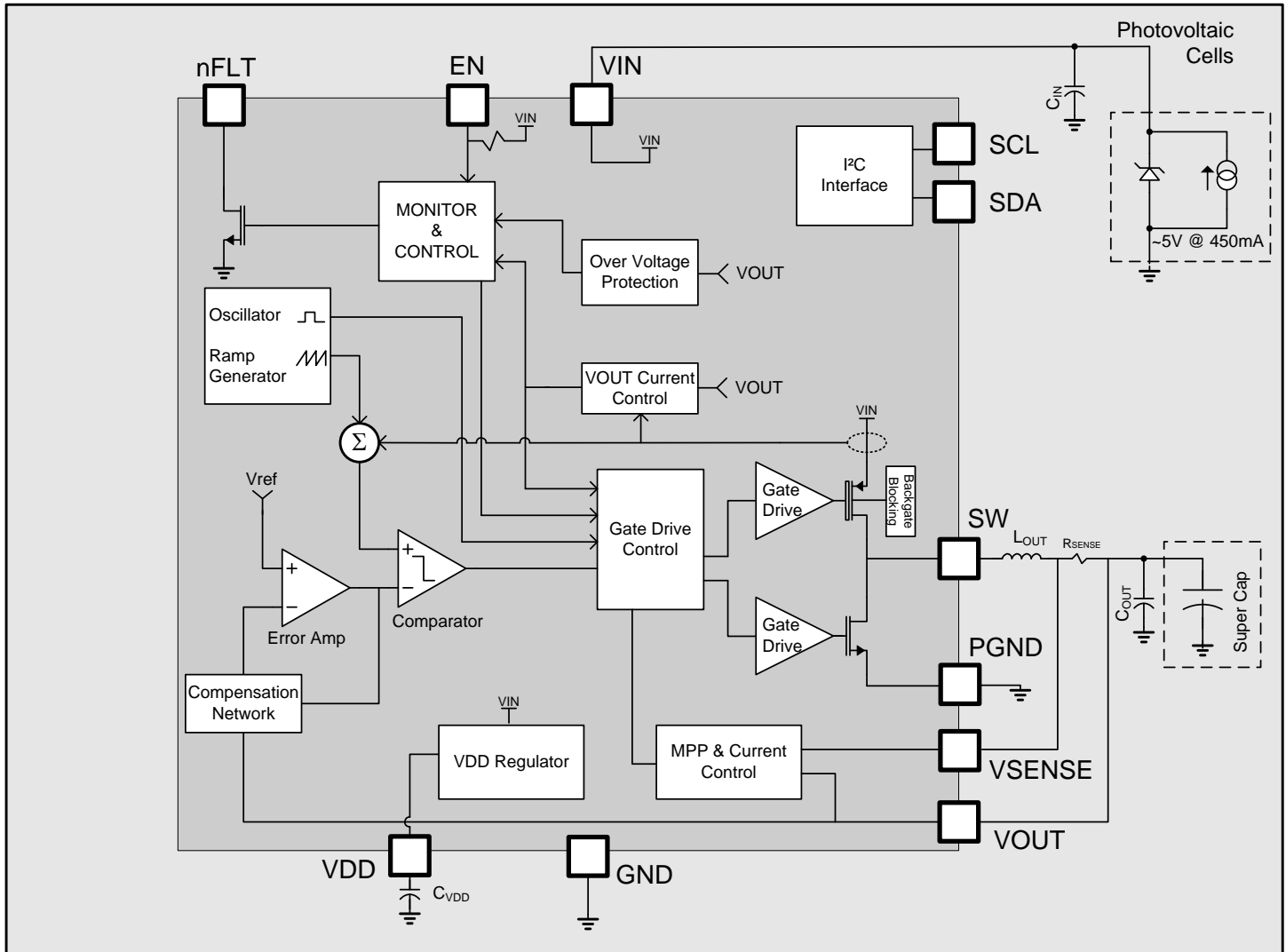


Figure 2: TS52003 Block Diagram

## ABSOLUTE MAXIMUM RATINGS

Over operating free-air temperature range unless otherwise noted<sup>(1,2,3)</sup>

Parameter	Range	Unit
VIN, EN, nFLT, SCL, SDA, VOUT, VSENSE	-0.3 to 8	V
SW	-1 to 8.8	V
VDD	-0.3 to 3.6	V
Operating Junction Temperature Range, T <sub>J</sub>	-40 to 125	°C
Storage Temperature Range, T <sub>STG</sub>	-65 to 150	°C
Electrostatic Discharge – Human Body Model	±2k	V
Electrostatic Discharge – Machine Model	+/-200	V
Lead Temperature (soldering, 10 seconds)	260	°C

(1) Stresses beyond those listed under “absolute maximum ratings” may cause permanent damage to the device. These are stress ratings only and functional operation of the device at these or any other conditions beyond those indicated under “recommended operating conditions” is not implied. Exposure to absolute-maximum-rated conditions for extended periods may affect device reliability.

(2) All voltage values are with respect to network ground terminal.

(3) ESD testing is performed according to the respective JESD22 JEDEC standard.

## THERMAL CHARACTERISTICS

Symbol	Parameter	Value	Unit
$\theta_{JA}$	Thermal Resistance Junction to Air (Note 1)	50	°C/W

Note 1: Assumes 4x4 QFN-16 in 1 in<sup>2</sup> area of 2 oz copper and 25°C ambient temperature.

## RECOMMENDED OPERATING CONDITIONS

Symbol	Parameter	Min	Typ	Max	Unit
VIN	Photovoltaic Input Operating Voltage	3.2	5.3	7.2	V
R <sub>SENSE</sub>	Sense Resistor		50		mΩ
L <sub>OUT</sub>	Output Filter Inductor Typical Value (Note 1)		4.7		uH
C <sub>OUT</sub>	Output Filter Capacitor Typical Value (Note 2)		4.7		uF
C <sub>OUT-ESR</sub>	Output Filter Capacitor ESR			100	mΩ
C <sub>IN</sub>	Input Supply Bypass Capacitor Typical Value (Note 3)	3.3	10		uF
C <sub>VDD</sub>	VDD Supply Bypass Capacitor Value (Note 2)	70	100	130	nF
T <sub>A</sub>	Operating Free Air Temperature	-40		85	°C
T <sub>J</sub>	Operating Junction Temperature	-40		125	°C

Note 1: For best performance, an inductor with a saturation current rating higher than the maximum V<sub>OUT</sub> load requirement plus the inductor current ripple.

Note 2: For best performance, a low ESR ceramic capacitor should be used.

Note 3: For best performance, a low ESR ceramic capacitor should be used. If C<sub>IN</sub> is not a low ESR ceramic capacitor, a 0.1uF ceramic capacitor should be added in parallel to C<sub>IN</sub>.

## CHARACTERISTICS

Electrical Characteristics,  $T_j = -40\text{C}$  to  $125\text{C}$ ,  $V_{IN} = 5.3\text{V}$  (unless otherwise noted)

Symbol	Parameter	Condition	Min	Typ	Max	Unit
<b>VIN Supply Voltage</b>						
VIN	Photovoltaic Voltage Input		3.2	5.3	7.2	V
I <sub>CC-NORM</sub>	Quiescent current Normal Mode	I <sub>LOAD</sub> = 0A		3		mA
I <sub>CC-DISABLE</sub>	Quiescent current Disable Mode	EN = 0V		15	50	uA
<b>VOUT Leakage</b>						
I <sub>OUT-LEAK</sub>	Leakage Current	EN = 0V, V <sub>out</sub> = 2.7V			10	uA
I <sub>OUT-BACK</sub>	Reverse Current	V <sub>out</sub> > V <sub>IN</sub> , V <sub>out</sub> = 2.7V			10	uA
<b>VIN Under-Voltage Lockout</b>						
VIN-UV	Input Supply Under-Voltage Threshold	VIN Increasing		3.15		V
VIN-UV-HYST	Input Supply Under-Voltage Threshold Hysteresis		100	200		mV
<b>OSC</b>						
F <sub>OSC</sub>	Oscillator Frequency		0.9	1	1.1	MHz
<b>nFLT Open Drain Output</b>						
T <sub>nFLT</sub>	nFLT Release Timer			0		ms
I <sub>OH-nFLT</sub>	High-Level Output Leakage	V <sub>nFLT</sub> = 5.3V		0.1		uA
V <sub>OL-nFLT</sub>	Low-Level Output Voltage	I <sub>nFLT</sub> = -1mA			0.4	V
<b>EN/SCL/SDA Input Voltage Thresholds</b>						
V <sub>IH</sub>	High Level Input Voltage		2.2			V
V <sub>IL</sub>	Low Level Input Voltage				0.8	V
V <sub>HYST</sub>	Input Hysteresis			200		mV
I <sub>IN-EN</sub>	Input Leakage	V <sub>EN</sub> =VIN		0.1		uA
		V <sub>EN</sub> =0V		-2.0		uA
I <sub>IN-SCL</sub>	Input Leakage	V <sub>SCL</sub> =VIN		55		uA
		V <sub>SCL</sub> =0V		-0.1		uA
I <sub>IN-SDA</sub>	Input Leakage	V <sub>SDA</sub> =VIN		0.1		uA
		V <sub>SDA</sub> =0V		-0.1		uA
V <sub>OL-SDA</sub>	Low-Level Output Voltage	I <sub>SDA</sub> = -1mA			0.4	V
<b>Thermal Shutdown</b>						
TSD	Thermal Shutdown Junction Temperature		150	170		C
TSD <sub>HYST</sub>	TSD Hysteresis			10		C

## CHARGER CHARACTERISTICS

 Electrical Characteristics,  $T_j = -40C$  to  $125C$ ,  $V_{IN} = 5.3V$  (unless otherwise noted)

Symbol	Parameter	Condition	Min	Typ	Max	Unit
<b>Charging Regulator: L=4.7uH and C=4.7uF</b>						
$I_{OUT-FC}$	Output Current Limit in Full-Charge Mode	$I_{OUT} = 1.5A$	$I_{OUT} - 10\%$	$I_{OUT}$	$I_{OUT} + 10\%$	A
$V_{OUT}$	Termination Voltage Tolerance		$V_{OUT} - 1\%$	$V_{OUT}$	$V_{OUT} + 1\%$	V
$t_{FC}$	Full-Charge Timer		200		1400	min
$R_{DS(on)}$	High Side Switch On Resistance	$I_{SW} = -1A, T_j=25C$		250		m $\Omega$
	Low Side Switch On Resistance	$I_{SW} = 1A, T_j=25C$		150		m $\Omega$
$I_{OUT}$	Max Output Current			1.5		A
$I_{OCD}$	Over-Current Detect	HS switch current		2.5		A
$V_{OUT-OV}$	$V_{OUT}$ Over-Voltage Threshold		101% $V_{OUT}$	102% $V_{OUT}$	103% $V_{OUT}$	
$V_{OUT-OV-HYST}$	$V_{OUT}$ Over-Voltage Hysteresis		0.2% $V_{OUT}$	0.4% $V_{OUT}$	0.6% $V_{OUT}$	
$DUTY_{MAX}$	Max Duty Cycle			98		%

## I<sup>2</sup>C INTERFACE TIMING REQUIREMENTS

 Electrical Characteristics,  $T_j = -40C$  to  $125C$ ,  $V_{IN} = 5.3V$  (unless otherwise noted)

Symbol	Parameter	Standard Mode		Fast Mode <sup>(1)</sup>		Unit
		Min	Max	Min	Max	
$f_{scl}$	I <sup>2</sup> C clock frequency	0	100	0	400	kHz
$t_{sch}$	I <sup>2</sup> C clock high time	4		0.6		$\mu$ s
$t_{scl}$	I <sup>2</sup> C clock low time	4.7		1.3		$\mu$ s
$t_{sp}^{(2)}$	I <sup>2</sup> C tolerable spike time	0	50	0	50	ns
$t_{sds}$	I <sup>2</sup> C serial data setup time	250		250		ns
$t_{sdh}$	I <sup>2</sup> C serial data hold time	0		0		$\mu$ s
$t_{icr}^{(2)}$	I <sup>2</sup> C input rise time		1000		300	ns
$t_{icf}^{(2)}$	I <sup>2</sup> C input fall time		300		300	ns
$t_{ocf}^{(2)}$	I <sup>2</sup> C output fall time; 10 pF to 400 pF bus		300		300	ns
$t_{buf}$	I <sup>2</sup> C bus free time between Stop and Start	4.7		1.3		$\mu$ s
$t_{sts}$	I <sup>2</sup> C Start or repeated Start condition setup time	4.7		0.6		$\mu$ s
$t_{sth}$	I <sup>2</sup> C Start or repeated Start condition hold time	4		0.6		$\mu$ s
$t_{sps}^{(2)}$	I <sup>2</sup> C Stop condition setup time	4		0.6		$\mu$ s

- (1) The I<sup>2</sup>C interface will operate in either standard or fast mode.  
 (2) Parameters not tested in production.

---

## FUNCTIONAL DESCRIPTION

The TS52003 is a fully-integrated super capacitor charger IC based on a highly-efficient switching topology. It includes a Maximum Power Point Tracking (MPPT) function to optimize its input voltage to extract the maximum possible power from a photovoltaic cell. It includes configurability for termination voltage and charge current. A 1 MHz internal switching frequency facilitates low-cost LC filter combinations.

When enabled, the TS52003 will provide the maximum power available from a photovoltaic cell until the output voltage reaches the termination point. At that point, it will begin to regulate voltage. It will do so until a fault is detected, it is disabled or the output voltage drops below the termination point.

## INTERNAL PROTECTION DETAILS

### Internal Current Limit

The current through the inductor is sensed on a cycle by cycle basis and if current limit is reached, it will abbreviate the cycle. Current limit is always active when the regulator is enabled.

### Thermal Shutdown

If the temperature of the die exceeds 170C (typical), the SW outputs will tri-state to protect the device from damage. The nFLT and all other protection circuitry will stay active to inform the system of the failure mode. Once the device cools to 160C (typical), the device will attempt to start up again. If the device reaches 170C, the shutdown/restart sequence will repeat.

### VIN Under-Voltage Lockout

The device is held in the off state until VIN reaches 3.15V. There is a 200mV hysteresis on this input, which requires the input to fall below 2.95V before the device will disable.

### VOUT Over-Voltage Protection

The TS52003 has an output protection circuit designed to shutdown the charging profile if the output voltage is greater than the termination voltage. The termination voltage can change based on user programming, so the protection threshold is set to 2% above the termination voltage. Shutting down the charging profile puts the TS52003 in a fault condition.

## SERIAL INTERFACE

The TS52003 features an I<sup>2</sup>C slave interface which offers advanced control and diagnostic features. I<sup>2</sup>C operation offers configuration control for termination voltages, charge currents, and charge timeouts. I<sup>2</sup>C operation also offers fault and warning indicators. Whenever a fault is detected, the associated status bit in the STATUS register is set and the nFLT pin is pulled low. Whenever a warning is detected, the associated status bit in the STATUS register is set, but the nFLT pin is not pulled low. Reading of the STATUS register resets the fault and warning status bits, and the nFLT pin is released after all fault status bits have been reset.

## I<sup>2</sup>C SUBADDRESS DEFINITION

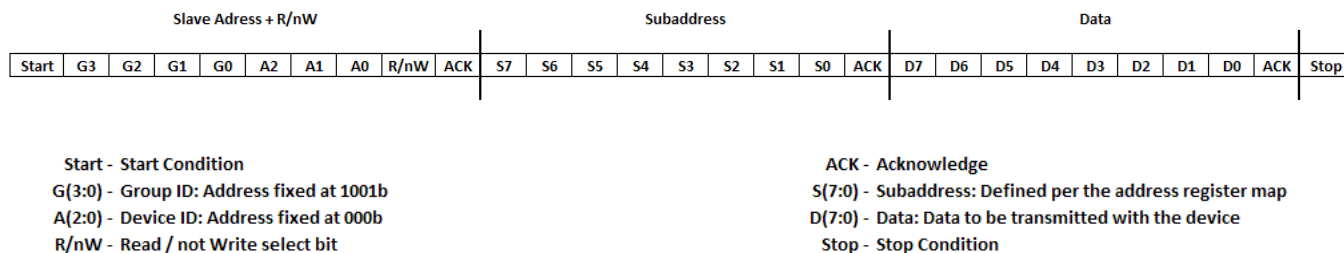


Figure 3: Sub-address in I<sup>2</sup>C Transmission

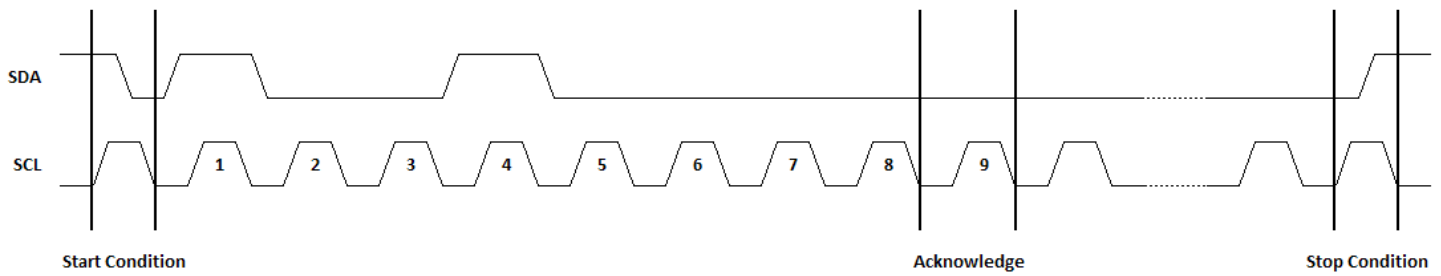
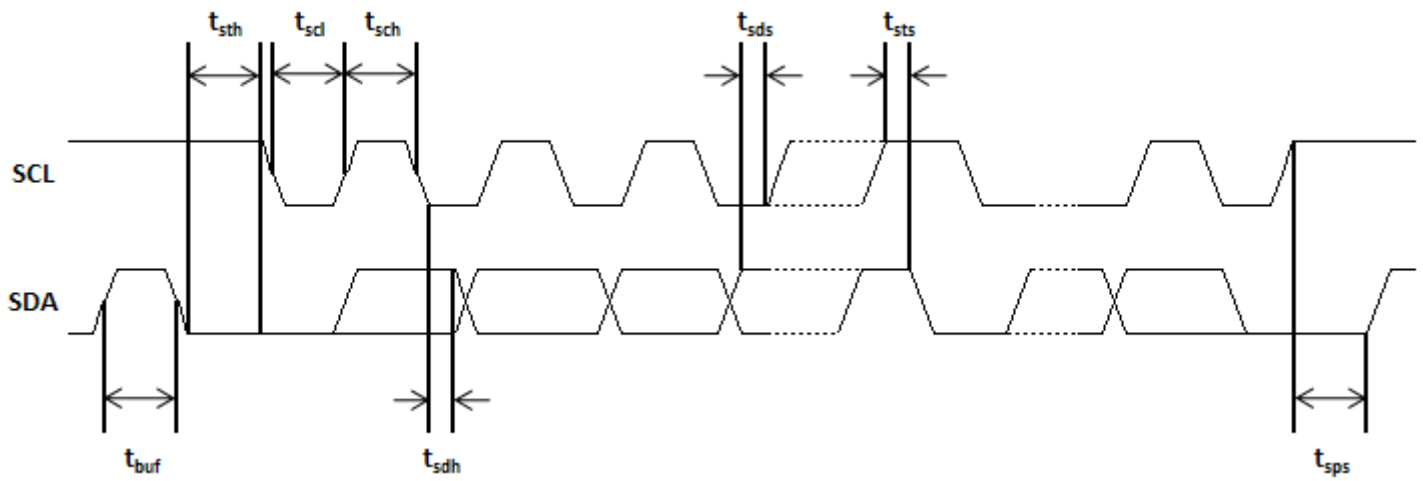
## I<sup>2</sup>C BUS OPERATION

The TS52003 has a slave I<sup>2</sup>C interface that supports standard and fast mode data rates, auto-sequencing, and is compliant to I<sup>2</sup>C standard version 3.0.

I<sup>2</sup>C is a two-wire serial interface where the two lines are serial clock (SCL) and serial data (SDA). SDA must be connected to a positive supply through an external pull-up resistor. The devices communicating on this bus can drive the SDA line low or release it to high impedance. The device that initiates the I<sup>2</sup>C transaction becomes the master of the bus. Communication is initiated by the master sending a Start condition, a high-to-low transition on SDA, while the SCL line is high. After the Start condition, the device address byte is sent, most significant bit (MSB) first, including the data direction bit (R/nW). After receiving the valid address byte, the device responds with an acknowledge (ACK). An ACK is a low on SDA during the high of the ACK related clock pulse. On the I<sup>2</sup>C bus, during each clock pulse only one data bit is transferred. The data on the SDA line must remain stable during the high pulse of the clock period, as changes in the data line at this time are interpreted as Start or Stop control commands. A low-to-high transition on SDA while the SCL input is high indicates a Stop condition and is sent by the master (see Figure 4).

Any number of data bytes can be transferred from the transmitter to receiver between the Start and the Stop conditions. Each byte of eight bits is followed by one ACK bit. The SDA line must be released by the transmitter before the receiver can send an ACK bit. The receiver that acknowledges must pull down the SDA line during the ACK clock pulse, so that the SDA line is stable low during the high pulse of the ACK-related clock period. When a slave receiver is addressed, it must generate an ACK after each byte is received. Similarly, the master must generate an ACK after each byte that it receives from the slave transmitter. To ensure proper operation, setup and hold times must be met. An end of data is signaled by the master receiver to the slave transmitter by not generating an acknowledge after the last byte has been clocked out of the slave. This is done by the master receiver by holding the SDA line high. The transmitter must then release the data line to enable the master to generate a Stop condition.




 Figure 4: I<sup>2</sup>C Start / Stop Protocol

 Figure 5: I<sup>2</sup>C Data Transmission Timing

**REGISTER DESCRIPTION (Device Address = 0x48)**

REGISTER	ADDRESS (HEX)	NAME	DEFAULT	DESCRIPTION
0	00	STATUS	0x00	Status bit register
1	N/A	N/A	N/A	Register not implemented
2	02	CONFIG1 <sup>(1)</sup>	EEPROM	Configuration register
3	N/A	N/A	N/A	Register not implemented
4	04	CONFIG3 <sup>(1)</sup>	EEPROM	Configuration register
5-16	N/A	N/A	N/A	Registers not implemented
17	11	CONFIG_ENABLE	0x00	Enable configuration register access
18	12	EEPROM_CTRL <sup>(1)</sup>	0x00	EEprom control register

**STATUS REGISTER (STATUS)**

Address - 0x00h

DATA BIT	D7	D6	D5	D4	D3	D2	D1	D0
FIELD NAME	VOUT_OV	Not Used	Not Used	Not Used	TSD	Not Used	VIN_UV	Not Used
READ/WRITE	R	R	R	R	R	R	R	R

FIELD NAME	BIT DEFINITION <sup>(2)</sup>
VOUT_OV	Vout over-voltage
TSD	Thermal shutdown
VIN_UV	VIN under-voltage

(1) CONFIG and EEPROM\_CTRL registers are only accessible when CONFIG\_ENABLE register is written.

(2) Fault is defined as VOUT\_OV. Warnings are defined as TSD, and VIN\_UV. Faults cause the nFLT pin to be pulled low, Warnings do not cause the nFLT pin to be pulled low. All status bits are cleared after register read access. nFLT pin will go high impedance (open drain output) after the status register has been read and all status bits have been reset.

### CONFIGURATION REGISTER (CONFIG1)

Address - 0x02h

DATA BIT	D7	D6	D5	D4	D3	D2	D1	D0
FIELD NAME	Not Used		V_TERM [2:0]			Not Used		
READ/WRITE	R/W	R/W	R/W	R/W	R/W	R/W	R/W	R/W

FIELD NAME	BIT DEFINITION
V_TERM [2:0]	Voltage Termination configuration 000 - 2.48 V 001 - 2.54 V 010 - 2.60 V 011 - 2.66 V 100 - 2.68 V 101 - 2.72 V 110 - 2.74 V 111 - 4.92 V (Setting will not meet accuracy specifications)

### CONFIGURATION REGISTER (CONFIG3)

Address - 0x04h

DATA BIT	D7	D6	D5	D4	D3	D2	D1	D0
FIELD NAME	MAX_CHRG_CURR [3:0]				Not Used			
READ/WRITE	R/W	R/W	R/W	R/W	R/W	R/W	R/W	R/W

FIELD NAME	BIT DEFINITION
MAX_CHRG_CURR[3:0]	Maximum charge current configuration 0000 - 50 mA 0001 - 100 mA 0010 - 200 mA 0011 - 300 mA 0100 - 400 mA 0101 - 500 mA 0110 - 600 mA 0111 - 700 mA 1000 - 800 mA 1001 - 900 mA 1010 - 1000 mA 1011 - 1100 mA 1100 - 1200 mA 1101 - 1300 mA 1110 - 1400 mA 1111 - 1500 mA

## ENABLE CONFIGURATION REGISTER (CONFIG\_ENABLE)

Address - 0x11h

DATA BIT	D7	D6	D5	D4	D3	D2	D1	D0
FIELD NAME	Not used	Not used	Not used	Not used	Not used	Not used	Not used	EN_CFG
READ/WRITE	R	R	R	R	R	R	R	R/W
RESET VALUE	0	0	0	0	0	0	0	0

FIELD NAME	BIT DEFINITION
EN_CFG	Enable access control bit for configuration registers 2 and 4 0 - Disable access 1 - Enable access

## EEPROM CONTROL REGISTER (EEPROM\_CTRL)

Address - 0x12h

DATA BIT	D7	D6	D5	D4	D3	D2	D1	D0
FIELD NAME	Not used	Not used	Not used	Not used	Not used	Not used	Not used	EE_PROG
READ/WRITE	R	R	R	R	R	R	R	R/W
RESET VALUE	0	0	0	0	0	0	0	0

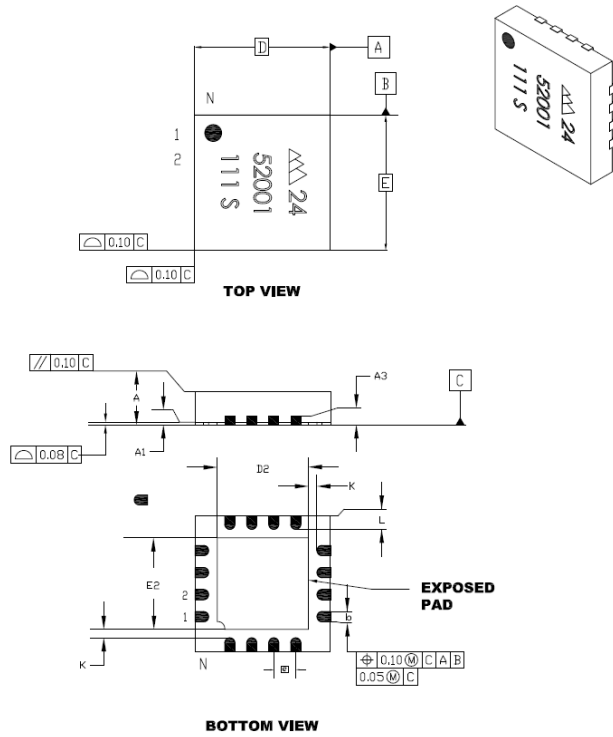
FIELD NAME	BIT DEFINITION
EE_PROG <sup>(1)</sup>	EEPROM program control bit for configuration registers 2 and 4 0 - Disable EEPROM programming 1 - Enable EEPROM programming with data from configuration registers 2 and 4

(1) EE\_PROG Note: Inputs VIN and EN must be present for 200ms.

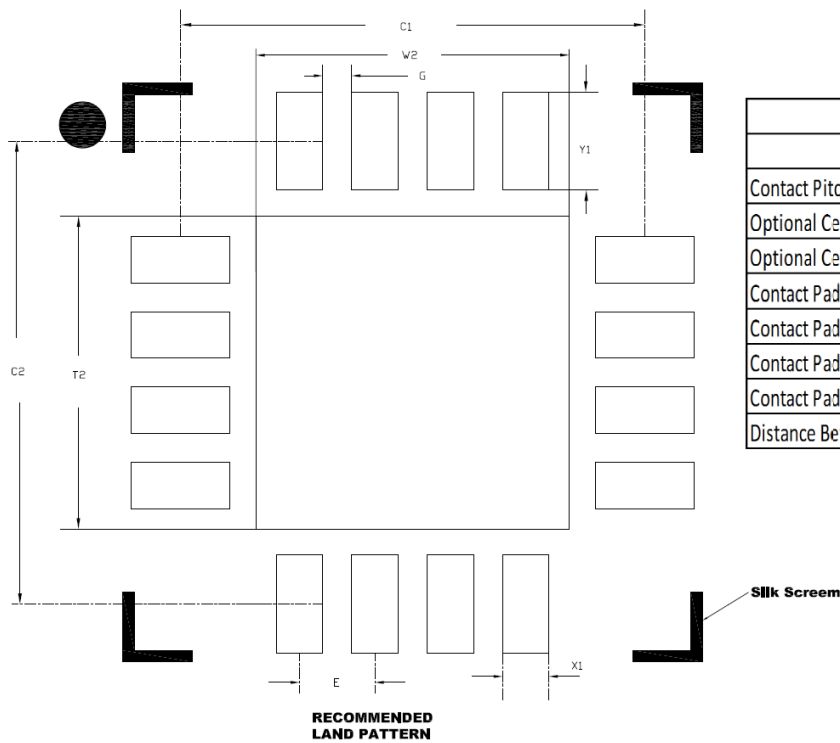
## EXTERNAL COMPONENT SELECTION

The internal compensation is optimized for a 4.7uF output capacitor and a 4.7uH inductor. To keep the output ripple low, a low ESR (less than 35mOhm) ceramic is recommended.

**PACKAGE MECHANICAL DRAWINGS**



Dimensions	Units	MILLIMETERS		
	Limits	MIN	NOM	MAX
Number of Pins	N	16		
Pitch	e	0.65 BSC		
Overall Height	A	0.80	0.90	1.00
Standoff	A1	0.00	0.02	0.05
Contact Thickness	A3	0.20 REF		
Overall Length	D	4.00 BSC		
Exposed Pad Width	E2	2.55	2.70	2.80
Overall Width	E	4.00 BSC		
Exposed Pad Length	D2	2.55	2.70	2.80
Contact Width	b	0.25	0.30	0.35
Contact Length	L	0.30	0.40	0.50
Contact-to-Exposed Pad	K	0.20	-	-



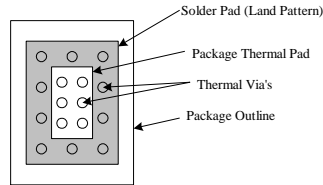
Dimension	Units	MILLIMETERS		
	Limits	MIN	NOM	MAX
Contact Pitch	E	0.65 BSC		
Optional Center Pad Width	W2	-	-	2.70
Optional Center Pad Length	T2	-	-	2.70
Contact Pad Spacing	C1	-	4.00	-
Contact Pad Spacing	C2	-	4.00	-
Contact Pad Width (X16)	X1	-	-	0.40
Contact Pad Length (X16)	Y1	-	-	0.85
Distance Between Pads	G	0.25	-	-

Notes:  
 Dimensions and tolerancing per ASME Y14.5M  
 BSC: Basic Dimension. Theoretically exact value shown without tolerances.  
 REF: Reference Dimension, usually without tolerance, for information only.

## APPLICATION USING A MULTI-LAYER PCB

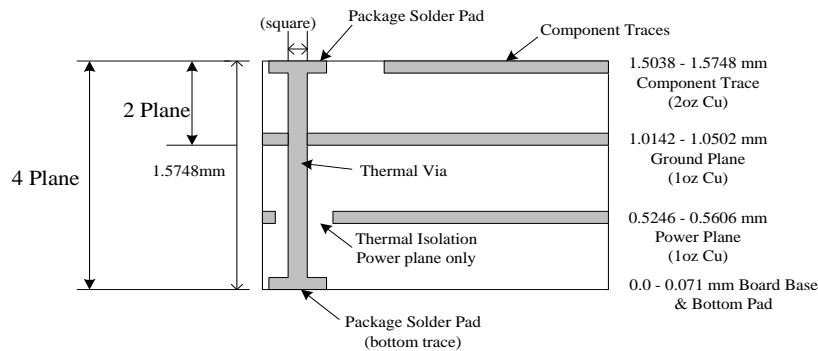
To maximize the efficiency of this package for application on a single layer or multi-layer PCB, certain guidelines must be followed when laying out this part on the PCB.

The following are guidelines for mounting the exposed pad IC on a Multi-Layer PCB with ground a plane.



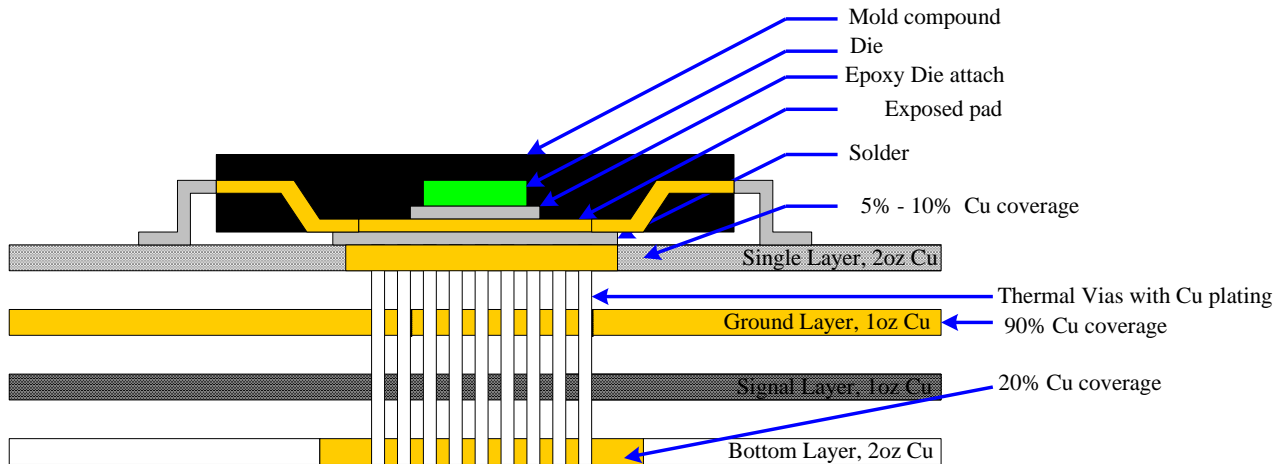
Package and PCB Land Configuration  
For a Multi-Layer PCB

### JEDEC standard FR4 PCB Cross-section:



Multi-Layer Board (Cross-sectional View)

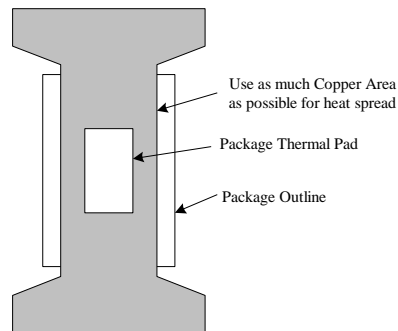
In a multi-layer board application, the thermal vias are the primary method of heat transfer from the package thermal pad to the internal ground plane. The efficiency of this method depends on several factors, including die area, number of thermal vias, thickness of copper, etc.



Note: NOT to Scale

The above drawing is a representation of how the heat can be conducted away from the die using an exposed pad package. Each application will have different requirements and limitations and therefore the user should use sufficient copper to dissipate the power in the system. The output current rating for the linear regulators may have to be de-rated for ambient temperatures above 85C. The de-rate value will depend on calculated worst case power dissipation and the thermal management implementation in the application.

## APPLICATION USING A SINGLE LAYER PCB



Layout recommendations for a Single Layer PCB: utilize as much Copper Area for Power Management. In a single layer board application the thermal pad is attached to a heat spreader (copper areas) by using low thermal impedance attachment method (solder paste or thermal conductive epoxy).

In both of the methods mentioned above it is advisable to use as much copper traces as possible to dissipate the heat.

### IMPORTANT:

**If the attachment method is NOT implemented correctly, the functionality of the product is not guaranteed. Power dissipation capability will be adversely affected if the device is incorrectly mounted onto the circuit board.**

**Legal Notices**

Information contained in this publication regarding device applications and the like is provided only for your convenience and may be superseded by updates. It is your responsibility to ensure that your application meets with your specifications. "Typical" parameters which may be provided in Triune Systems data sheets and/or specifications can and do vary in different applications and actual performance may vary over time. All operating parameters, including "Typicals" must be validated for your application by your technical experts. TRIUNE SYSTEMS MAKES NO REPRESENTATIONS OR WARRANTIES OF ANY KIND WHETHER EXPRESS OR IMPLIED, WRITTEN OR ORAL, STATUTORY OR OTHERWISE, RELATED TO THE INFORMATION, INCLUDING BUT NOT LIMITED TO ITS CONDITION, QUALITY, PERFORMANCE, MERCHANTABILITY OR FITNESS FOR PURPOSE. Triune Systems disclaims all liability arising from this information and its use. Triune System products are not designed, intended, or authorized for use as components in systems intended for surgical implant into the body, or other applications intended to support or sustain life, or for any other application in which the failure of the Triune Systems product could create a situation where personal injury or death may occur. Should the Buyer purchase or use Triune Systems products for any such unintended or unauthorized application, the Buyer shall indemnify and hold Triune Systems, and its officers, employees, subsidiaries, affiliates, and distributors harmless against all claims, costs, damages, and expenses, and reasonable attorney fees arising out of, directly or indirectly, any claim of personal injury or death associated with such unintended or unauthorized use, even if such claim alleges that Triune Systems was negligent regarding the design or manufacture of the part. No licenses are conveyed, implicitly or otherwise, under any Triune Systems intellectual property rights.

**Trademarks**

The Triune Systems® name and logo, MPPT-lite™, and nanoSmart® are trademarks of Triune Systems, LLC. in the U.S.A..

All other trademarks mentioned herein are property of their respective companies.

© 2012 Triune Systems, LLC. All Rights Reserved.