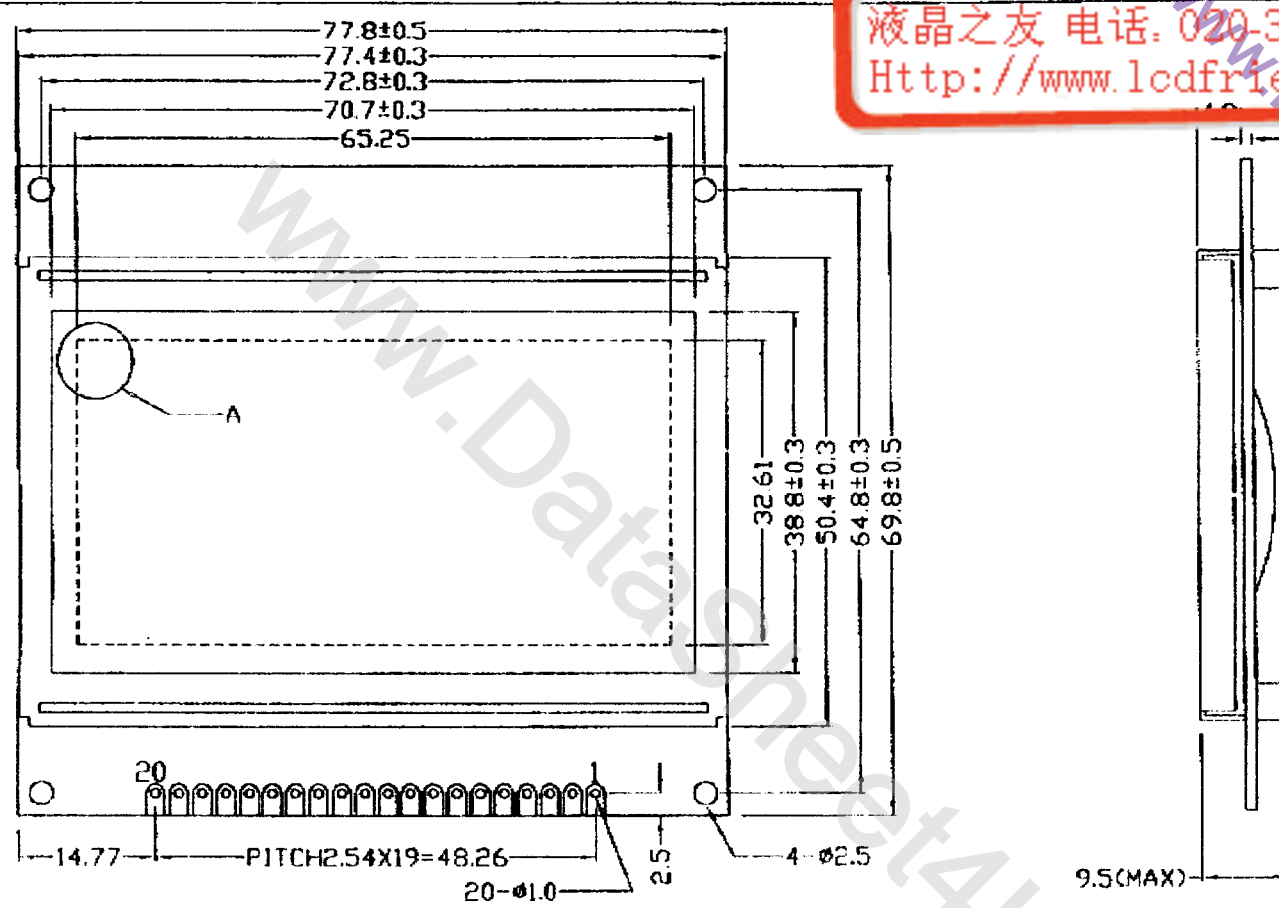
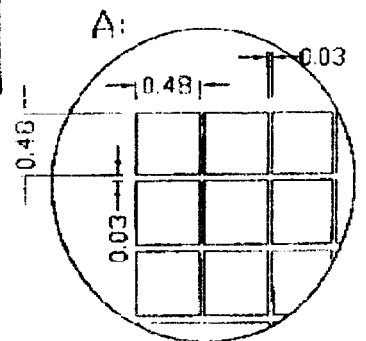


液晶之友 电话: 020-33819057  
 Http://www.lcdfriends.com



1	2	3	4	5	6	7	8	9	10	11	12	13	14	15	16	17	18
VSS	VDD	VO	D/I	R/W	E	DB0	DB1	DB2	DB3	DB4	DB5	DB6	DB7	CS1	CS2	RST	Vout



- NOTES:
- 1.DISPLAY TYPE: STN/YELLOW GREEN
  - 2.VIEWING DIRECTION: 6:00
  - 3.POLARIZER MODE: REFLECTIVE/POSITIVE
  - 4.OPERATING TEMP: 0°C~+50°C
  - 5.STORAGE TEMP: -20°C~+60°C
  - 6.LCD OPERATING VOLTAGE: 11V
  - 7.DRIVE METHOD: 1/64 DUTY 1/9 BIAS
  - 8.UNMARKED TOLERATION: ±0.3mm

**TIAN-MA MICROELECTRONICS CO.**  
 6/F., CASTIC Building, Shennan Road, Central, Shenzhen, China

DRAWN BY: 李金 11/11/98	TITLE: TM12864GBA6	
CHECKED BY: 周建 11/12/98	DWG NO: G-1	
APPROVED BY: 王新 11/12/98	DWG NAME: 128GBAG	
CONFIRMED BY: 李金 11/12/98	SHEET NR: 0P	