



Ferropac™

Miniature Circulators & Isolators

V2.00

Features

- Multi-Octave and Broadband
- Small size, light weight
- Full Stainless steel enclosure
- SMA female connectors

Narrow Band Specifications

Frequency (GHz)	Isolation (dB)	Insertion Loss (dB)	VSWR	Temp.(°C)	Config. ¹	Circulator Part No.*	Isolator Part No.*
.40 - .45	20	.4	1.25	0 to +80	1	T2100C	T2100T
.95 - 1.225	18	.5	1.30	-54 to +85	2	T5100C	T5100T
.96 - 1.06	20	.5	1.25	-54 to +85	3	T4006C	T4006T
1.0 - 1.1	20	.5	1.25	-54 to +85	3	T5017C	T5017T
.95 - 1.225	18	.5	1.30	-54 to +85	4	C5100C	C5100T
1.45 - 1.55	20	.5	1.25	-30 to +70	5	C6000C	C6000T
1.5 - 1.7	18	.6	1.30	-30 to +70	5	C5015C	C5015T
1.2 - 1.4	20	.5	1.25	-30 to +70	3	T5018C	T5018T
1.42 - 1.53	20	.5	1.25	-54 to +85	6	T6007C	T6007T
1.57 - 1.65	20	.5	1.25	-54 to +85	6	T6008C	T6008T
1.66 - 1.74	20	.5	1.25	-54 to +85	6	T6038C	T6038T
1.75 - 1.85	20	.5	1.25	-54 to +85	6	T6027C	T6027T
1.7 - 2.0	17	.5	1.35	-40 to +85	6	T6034C	T6034T
2.0 - 2.1	20	.5	1.25	-54 to +85	6	T8002C	T8002T
2.1 - 2.2	20	.5	1.25	-54 to +85	6	T8101C	T8101T
2.2 - 2.3	20	.5	1.25	-54 to +85	6	T8122C	T8122T
2.3 - 2.5	20	.5	1.25	-54 to +85	6	T8100C	T8100T
2.5 - 2.7	18	.6	1.30	-54 to +85	6	T8144C	T8144T
2.7 - 2.9	20	.5	1.25	-54 to +85	6	T8155C	T8155T
2.9 - 3.1	20	.5	1.25	-54 to +85	6	T8149C	T8149T
3.1 - 3.5	20	.5	1.25	-40 to +85	6	T8152C	T8152T
1.7 - 1.9	18	.6	1.30	-54 to +85	7	C7020C	C7020T
1.9 - 2.1	20	.5	1.25	-54 to +85	7	C8010C	C8010T
2.1 - 2.3	20	.5	1.25	-54 to +85	7	C8000C	C8000T
2.3 - 2.6	20	.5	1.25	-54 to +85	7	C8001C	C8001T
2.8 - 3.2	18	.6	1.30	-30 to +70	7	C8150C	C8150T
3.7 - 4.2	20	.5	1.25	-40 to +85	8	C167C	C167T
4.2 - 4.4	20	.5	1.25	-54 to +95	8	C100C	C100T
4.4 - 5.2	20	.5	1.25	-54 to +95	8	C104C	C104T
5.4 - 5.9	20	.5	1.25	-54 to +95	8	C111C	C111T
5.9 - 6.4	20	.5	1.25	-54 to +95	8	C160C	C160T
6.5 - 7.2	20	.5	1.25	-30 to +70	9	C122C	C122T
8.0 - 10.0	20	.5	1.25	-54 to +95	9	C801C	C801T
10.0 - 12.0	20	.5	1.25	-54 to +95	9	C802C	C802T
14.0 - 16.0	20	.5	1.25	-54 to +95	9	C621C	C621T

Description

M/A-COM's magnetically shielded coaxial circulators and isolators are miniaturized rugged components. The solid magnetic-stainless steel housing provides unique ruggedness and reliability as well as exceptional magnetic shielding.

Specifications Subject to Change Without Notice.

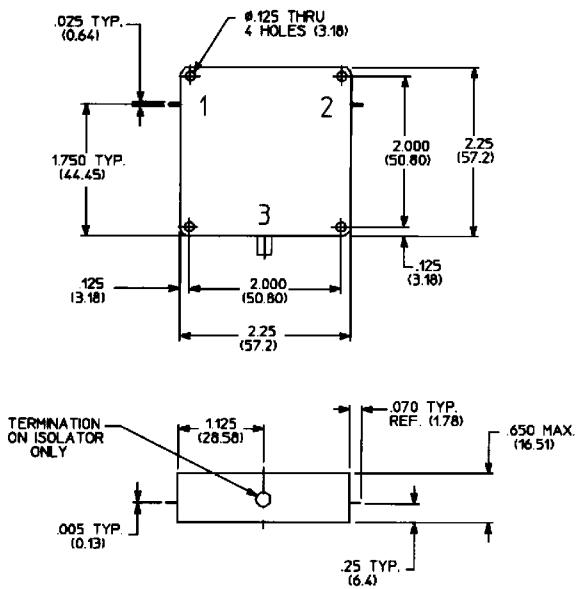
M/A-COM, Inc.

North America: Tel. (800) 366-2266 ■ Asia/Pacific: Tel. +81 (03) 3226-1671 ■ Europe: Tel. +44 (1344) 869 595
 Fax (800) 618-8883 Fax +81 (03) 3226-1451 Fax +44 (1344) 300 020

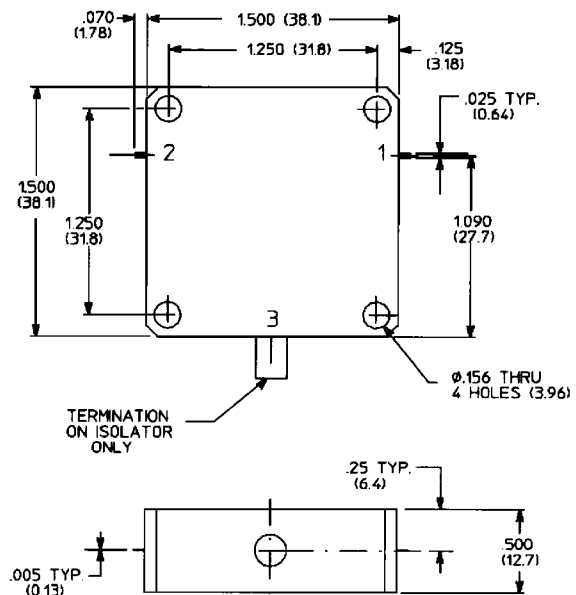
Broadband Specifications

Frequency Circulator (GHz)	Isolation Isolator (dB)	Insertion Loss (dB)	VSWR	Temp. (°C)	Config.	Circulator Part No.*	Isolator Part No.*
2.0 - 4.0	16	.7	1.40	-10 to +70	5	C500C	C500T
2.6 - 5.2	18	.6	1.30	-30 to +85	10	C550C	C550T
4.0 - 8.0	17	.6	1.35	-30 to +70	7	C650C	C650T
6.0 - 12.0	16	.7	1.35	-40 to +80	7	C750C	C750T
6.0 - 18.0	12	1.0	1.67	-15 to +80	9	C620C	C620T
8.0 - 12.4	18	.5	1.30	-54 to +95	9	C800C	C800T
8.0 - 16.0	16	.6	1.40	-54 to +95	9	C810C	C810T
8.0 - 18.0	14	.8	1.50	-54 to +95	9	C840C	C840T
12.0 - 18.0	16	.7	1.40	-54 to +71	9	C860C	C860T

1. These configurations are standard. Connectors are female type. Many combinations of connectors and tabs are available. Consult factory for specifications and part numbers.

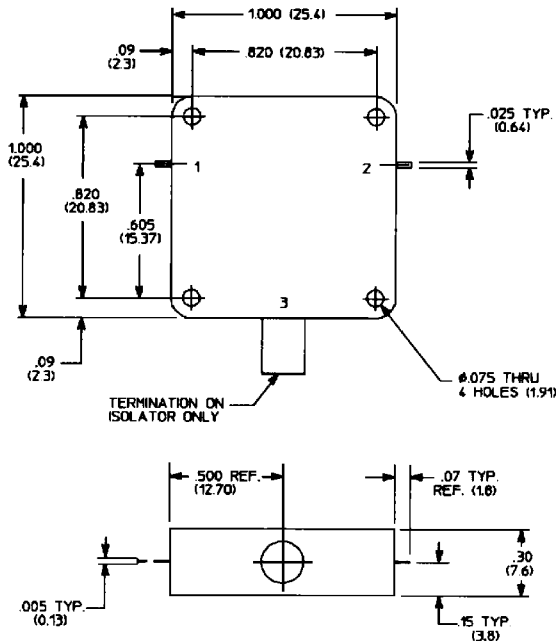


Config. 1

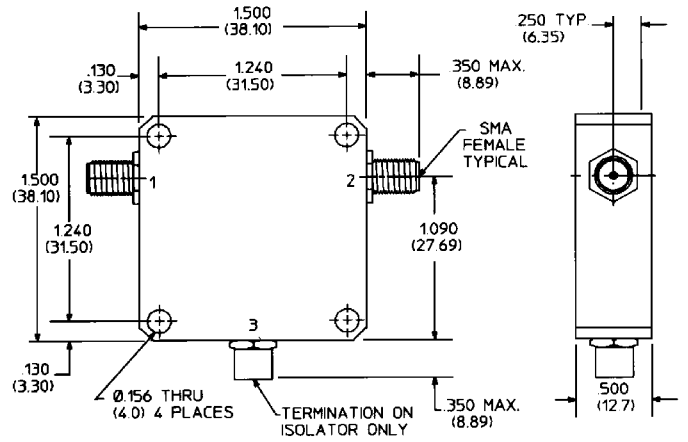


Config. 2

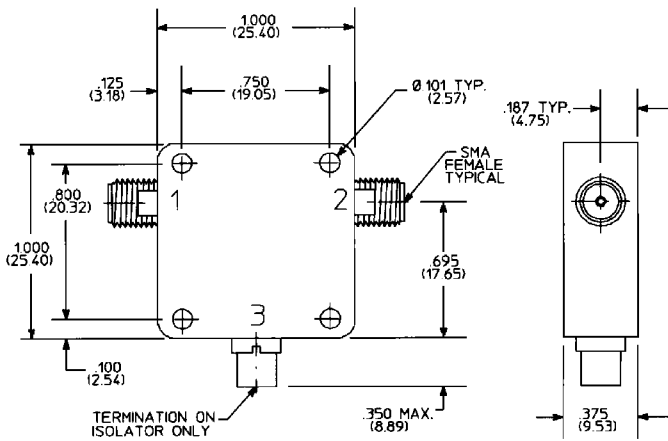
Specifications Subject to Change Without Notice.



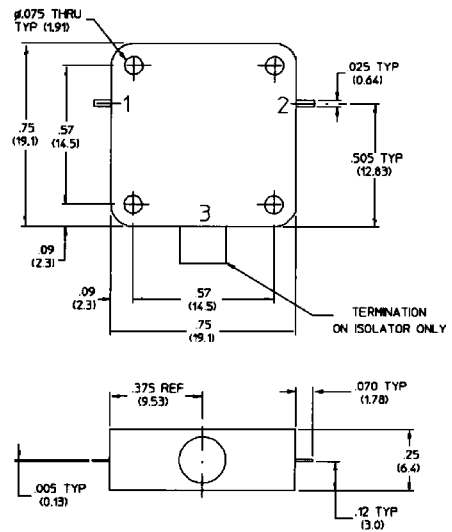
Config. 3



Config. 4



Config. 5



Config. 6

Specifications Subject to Change Without Notice.

M/A-COM, Inc.

North America:

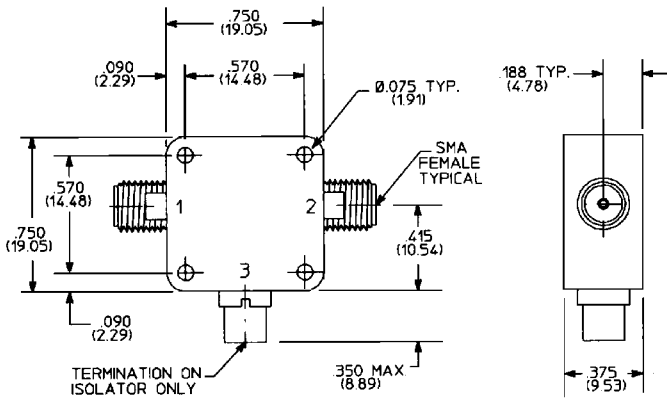
Tel. (800) 366-2266
Fax (800) 618-8883

■ Asia/Pacific:

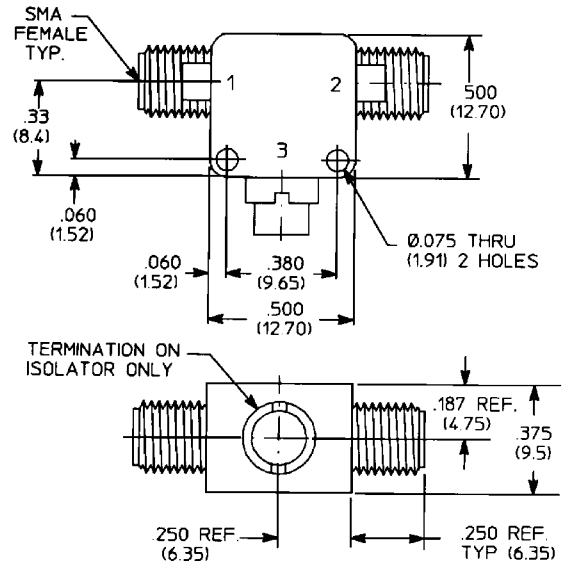
Tel. +81 (03) 3226-1671
Fax +81 (03) 3226-1451

■ Europe:

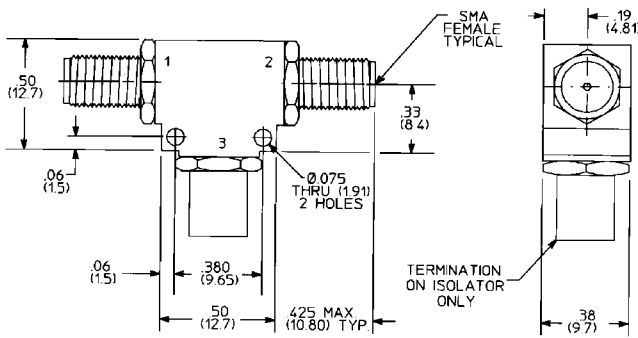
Tel. +44 (1344) 869 595
Fax +44 (1344) 300 020



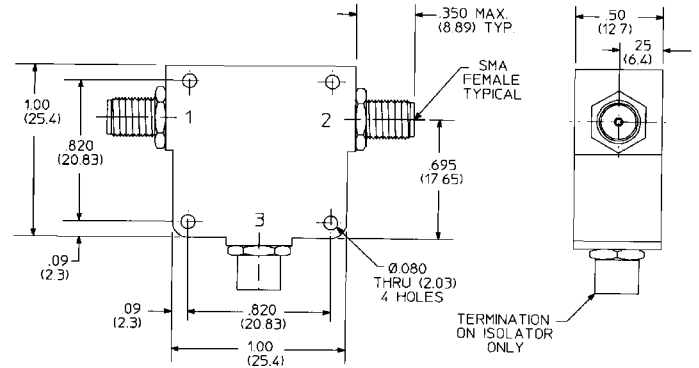
Config. 7



Config. 8



Config. 9



Config. 10

Specifications Subject to Change Without Notice.