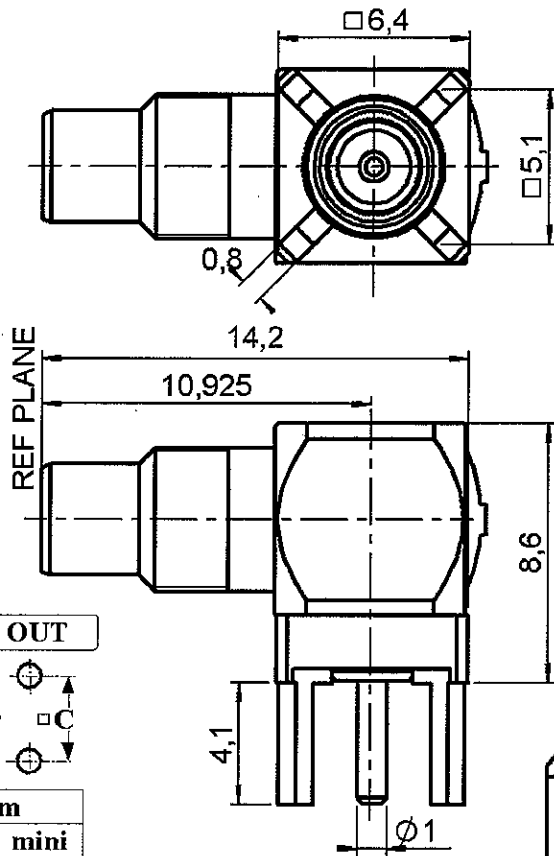


R/A JACK RECEPTACLE FOR PCB

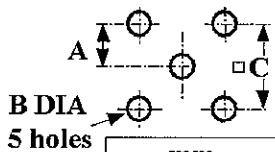
**R112.665.000**

SOLDER LEGS

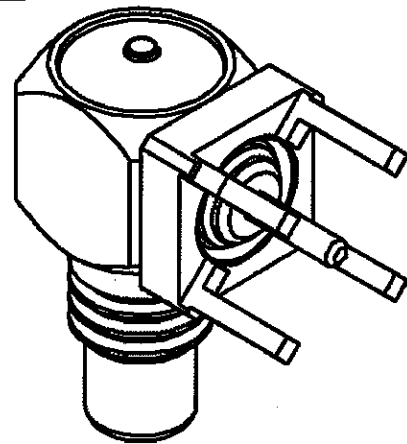
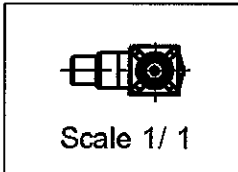
Series : SMC



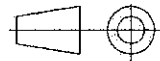
PANEL CUT OUT



	mm	
	Maxi	mini
A	2.59	2.49
B	1.4	1.3
C	5.16	5.00



All dimensions are in mm.



COMPONENTS	MATERIALS	PLATINGS (µm)
BODY	BRASS	GOLD 0.2 OVER NICKEL 2
CENTER CONTACT	BRASS	GOLD 1.3 OVER NICKEL 2
OUTER CONTACT	-	-
INSULATOR	PTFE	-
GASKET	-	-
OTHERS PARTS	BRASS	GOLD 0.2 OVER NICKEL 2
-	-	-
-	-	-

Issue : 0549 C

In the effort to improve our products, we reserve the right to make changes judged to be necessary.



**R/A JACK RECEPTACLE FOR PCB  
SOLDER LEGS**

**R112.665.000**

Series : SMC

**PACKAGING**

Standard	Unit	Other
1	-	Contact us

**SPECIFICATION**

**ELECTRICAL CHARACTERISTICS**

Impedance		<b>50</b> Ω
Frequency		<b>0-10</b> GHz
VSWR	<b>1.3 +</b>	<b>0,0400</b> x F(GHz) Maxi
Insertion loss		<b>0.1</b> √F(GHz) dB Maxi
RF leakage	- (	<b>62</b> - F(GHz)) dB Maxi
Voltage rating		<b>335</b> Veff Maxi
Dielectric withstanding voltage		<b>1000</b> Veff mini
Insulation resistance		<b>1000</b> MΩ mini

**ENVIRONMENTAL**

Operating temperature	<b>-65/+165</b> °C
Hermetic seal	<b>NA</b> Atm.cm3/s
Panel leakage	<b>NA</b>

**OTHERS CHARACTERISTICS**

Assembly instruction **NA**

Others :

\* Coaxial Transmission Line Only

**MECHANICAL CHARACTERISTICS**

Center contact retention	
Axial force – Mating end	<b>10</b> N mini
Axial force – Opposite end	<b>10</b> N mini
Torque	<b>NA</b> N.cm mini
Recommended torque	
Mating	<b>NA</b> N.cm
Panel nut	<b>NA</b> N.cm
Mating life	<b>500</b> Cycles mini
Weight	<b>2,7590</b> g

Issue : 0549 C

In the effort to improve our products, we reserve the right to make changes judged to be necessary.



**RADIALL**®