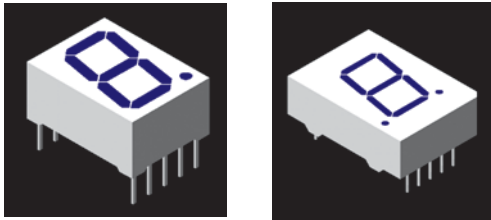


LED Displays ~ Seven Segment ~ Numeric



Single Digit



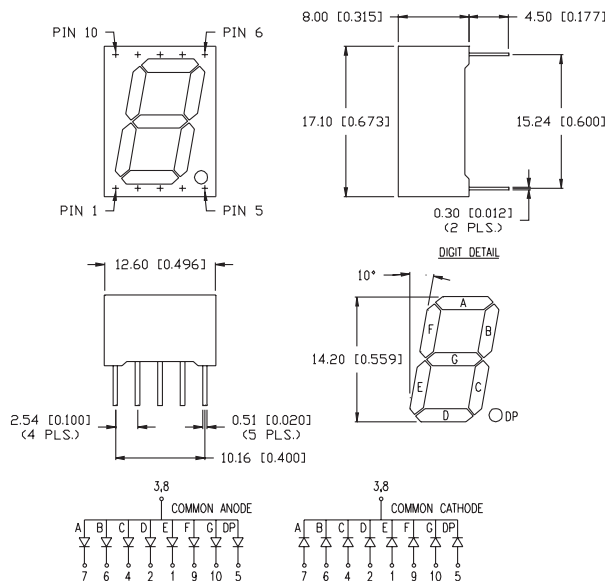
Features/Options

- ▶ Standard and high brightness chips
- ▶ Intensity grading available
- ▶ Custom sizes at minimal tooling
- ▶ Face and segment off colors in grey and milky white

Applications/Uses

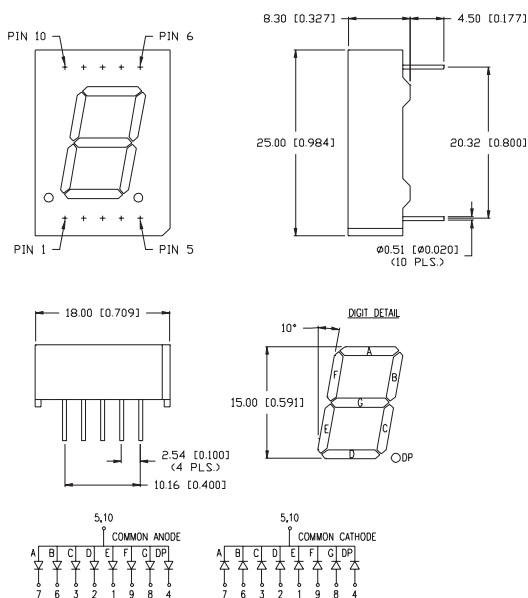
- ▶ Test instruments
- ▶ Diagnostic equipment
- ▶ Instrument and control panels
- ▶ Monitoring displays

0.56" single digit



Part Number	Wave Length (nm)	Brightness (μcd) @ 10mA	Vf (typ) 10mA	Vf (max) 10mA	Emitted Color	Polarity (common)
LDS-A5642RI	565	2500	2.2	2.6	Green	Anode
LDS-A5644RI	635	2500	2.0	2.5	Red	Anode
LDS-A5646RI	660	8000	1.7	2.2	Red	Anode
LDS-A5642RI-SUG	574	7000	2.2	2.6	Green	Anode
LDS-A5644RI-SI	636	15,000	2.0	2.6	Red	Anode
LDS-A5647RI-USB	470	6000	3.5	4.0	Blue	Anode
LDS-C5642RI	565	2500	2.2	2.6	Green	Cathode
LDS-C5644RI	635	2500	2.0	2.5	Red	Cathode
LDS-C5646RI	660	8000	1.7	2.2	Red	Cathode
LDS-C5642RI-SUG	574	7000	2.2	2.6	Green	Cathode
LDS-C5644RI-SI	636	15,000	2.0	2.6	Red	Cathode
LDS-C5647RI-USB	470	6000	3.5	4.0	Blue	Cathode

0.60" single digit



Part Number	Wave Length (nm)	Brightness (μcd) @ 10mA	Vf (typ) 10mA	Vf (max) 10mA	Emitted Color	Polarity (common)
LDS-A6002RI	565	2500	2.2	2.6	Green	Anode
LDS-A6004RI	635	2500	2.0	2.5	Red	Anode
LDS-A6006RI	660	8000	1.7	2.2	Red	Anode
LDS-A6002RI-SUG	574	7000	2.2	2.6	Green	Anode
LDS-A6004RI-SI	636	15,000	2.0	2.6	Red	Anode
LDS-A6007RI-USB	470	6000	3.5	4.0	Blue	Anode
LDS-C6002RI	565	2500	2.2	2.6	Green	Cathode
LDS-C6004RI	635	2500	2.0	2.5	Red	Cathode
LDS-C6006RI	660	8000	1.7	2.2	Red	Cathode
LDS-C6002RI-SUG	574	7000	2.2	2.6	Green	Cathode
LDS-C6004RI-SI	636	15,000	2.0	2.6	Red	Cathode
LDS-C6007RI-USB	470	6000	3.5	4.0	Blue	Cathode



USA/Canada +1-800-278-5666
Europe +49-6081-964380
Asia +886-3-5821124



www.lumex.com



USA/Canada +1-847-359-8904
Europe +49-6081-964381
Asia +886-3-5821154

- 1
- 2
- 3
- 4
- 5
- 6
- 7
- 8
- 9
- 10
- 11
- 12
- 13
- 14
- 15
- 16
- 17
- 18
- 19
- 20
- 21
- 22
- 23
- 24
- 25
- 26
- 27
- 28
- 29