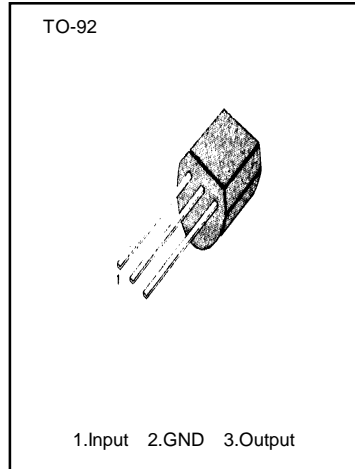


**VOLTAGE DETECTOR**

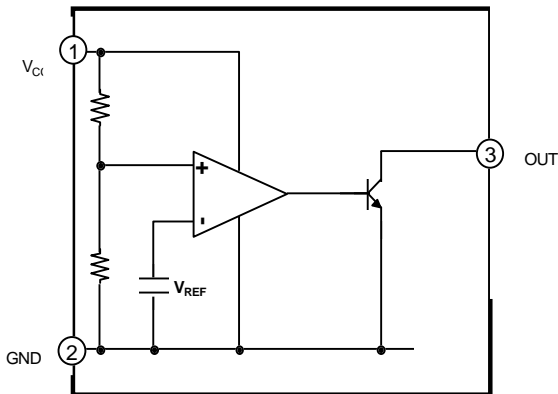
The KA75250/270/290/310/33/36/39/42/45 prevents error of system from supply voltage below normal voltage level at the time the power on and instantaneous power off in systems.

**FEATURES**

- Detecting against error operations at the power ON/OFF.
- Resetting function for the low voltage microprocessor.
- Checking low battery



**BLOCK DIAGRAM**



**ORDERING INFORMATION**

Device	PKG	Operating Temp.
KA75250	TO-92	-30~ + 75℃
KA75270		
KA75290		
KA75310		
KA7533		
KA7536		
KA7539		
KA7542		
KA7545		

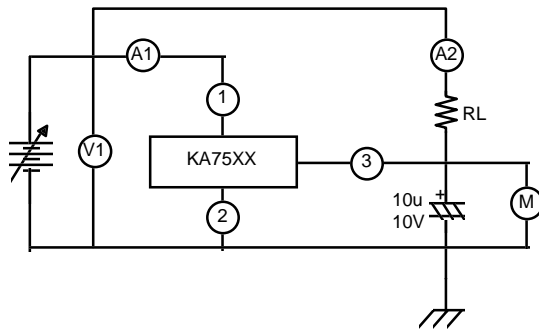
ABSOLUTE MAXIMUM RATING (T<sub>A</sub> = 25 °C)

Characteristic	Symbol	Value	Unit
Supply Voltage	V <sub>CC</sub>	0.3 ~ +15.0	V
Detecting Voltage	V <sub>DET</sub>	2.5/2.7/2.9/3.1 3.3/3.6/3.9/4.2/4.5	V
Hysteresis Voltage	V <sub>HYS</sub>	50	mV
Operating Temperature	T <sub>OPR</sub>	- 30 ~ + 75	°C
Storage Temperature	T <sub>STG</sub>	- 50 ~ + 150	°C
Power Dissipation	P <sub>D</sub>	200	Mw
Detecting Voltage Temperature Coefficient	Δ V <sub>DET</sub> /Δ T	R <sub>L</sub> = 200Ω , ± 0.01	%/°C

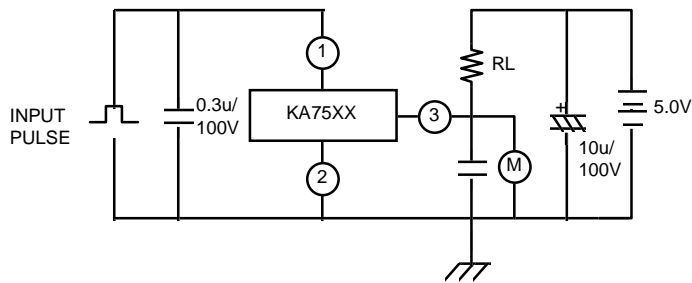
ELECTRICAL CHARACTERISTICS (T<sub>A</sub> = 25 °C)

Characteristic	Symbol	Test Conditions	Min	Typ	Max	Unit
Detecting Voltage	V <sub>DET</sub>	R <sub>L</sub> = 200Ω KA75250	2.35	2.5	2.65	V
		V <sub>OL</sub> ≤ 0.4V KA75270	2.55	2.7	2.85	
		KA75290	2.75	2.9	3.05	
		KA75310	2.95	3.1	3.25	
		KA7533	3.15	3.3	3.45	
		KA7536	3.45	3.6	3.75	
		KA7539	3.75	3.9	4.05	
		KA7542	4.05	4.2	4.35	
		KA7545	4.35	4.5	4.65	
Low Output Voltage	V <sub>OL</sub>	R <sub>L</sub> = 200Ω	-	-	0.4	V
Output Leakage Current	I <sub>LKG</sub>	V <sub>CC</sub> = 15V	-	-	0.1	μ A
Hysteresis Voltage	V <sub>HYS</sub>	R <sub>L</sub> = 200Ω	30	50	100	mV
Detecting Voltage Temperature Coefficient	Δ V <sub>DET</sub> /Δ T	R <sub>L</sub> = 200Ω		± 0.01		% /°C
Circuit Current (at on time)	I <sub>CCL</sub>	V <sub>CC</sub> = V <sub>DET(MIN)</sub> - 0.05V	-	300	500	μ A
Circuit Current (at off time)	I <sub>CCH</sub>	V <sub>CC</sub> = 5.25V	-	30	50	μ A
Threshold Operating Voltage	V <sub>TH(OPR)</sub>	R <sub>L</sub> = 200Ω , V <sub>OL</sub> ≤ 0.4V	0.6	0.8	1.0	V
"L" Transmission Delay Time	t <sub>OL</sub>	R <sub>L</sub> = 1.0KΩ , C <sub>L</sub> = 100pF	-	10	-	μ S
"H" Transmission Delay Time	t <sub>OH</sub>	R <sub>L</sub> = 1.0KΩ , C <sub>L</sub> = 100pF	-	15	20	μ S
Output Current (at on time I)	I <sub>OLI</sub>	V <sub>CC</sub> = V <sub>DET(MIN)</sub> - 0.05V, T <sub>C</sub> = 25 °C	7	17	27	mA
Output Current (at on time II)	I <sub>OLII</sub>	V <sub>CC</sub> = V <sub>DET(MIN)</sub> - 0.05V, T <sub>C</sub> = -30 ~ + 75 °C	8	16	30	mA

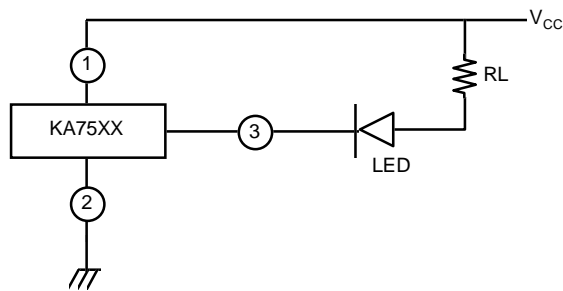
TEST CIRCUIT 1.



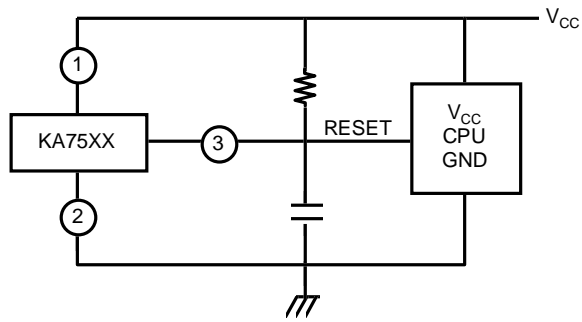
TEST CIRCUIT 2.



TEST CIRCUIT 3.



APPLICATION CIRCUIT



## TRADEMARKS

The following are registered and unregistered trademarks Fairchild Semiconductor owns or is authorized to use and is not intended to be an exhaustive list of all such trademarks.

ACEx™	ISOPLANAR™	UHC™
CoolFET™	MICROWIRE™	VCX™
CROSSVOLT™	POP™	
E <sup>2</sup> CMOS™	PowerTrench™	
FACT™	QST™	
FACT Quiet Series™	Quiet Series™	
FAST®	SuperSOT™-3	
FASTr™	SuperSOT™-6	
GTO™	SuperSOT™-8	
HiSeC™	TinyLogic™	

## DISCLAIMER

FAIRCHILD SEMICONDUCTOR RESERVES THE RIGHT TO MAKE CHANGES WITHOUT FURTHER NOTICE TO ANY PRODUCTS HEREIN TO IMPROVE RELIABILITY, FUNCTION OR DESIGN. FAIRCHILD DOES NOT ASSUME ANY LIABILITY ARISING OUT OF THE APPLICATION OR USE OF ANY PRODUCT OR CIRCUIT DESCRIBED HEREIN; NEITHER DOES IT CONVEY ANY LICENSE UNDER ITS PATENT RIGHTS, NOR THE RIGHTS OF OTHERS.

## LIFE SUPPORT POLICY

FAIRCHILD'S PRODUCTS ARE NOT AUTHORIZED FOR USE AS CRITICAL COMPONENTS IN LIFE SUPPORT DEVICES OR SYSTEMS WITHOUT THE EXPRESS WRITTEN APPROVAL OF FAIRCHILD SEMICONDUCTOR CORPORATION. As used herein:

1. Life support devices or systems are devices or systems which, (a) are intended for surgical implant into the body, or (b) support or sustain life, or (c) whose failure to perform when properly used in accordance with instructions for use provided in the labeling, can be reasonably expected to result in significant injury to the user.
2. A critical component is any component of a life support device or system whose failure to perform can be reasonably expected to cause the failure of the life support device or system, or to affect its safety or effectiveness.

## PRODUCT STATUS DEFINITIONS

### Definition of Terms

Datasheet Identification	Product Status	Definition
Advance Information	Formative or In Design	This datasheet contains the design specifications for product development. Specifications may change in any manner without notice.
Preliminary	First Production	This datasheet contains preliminary data, and supplementary data will be published at a later date. Fairchild Semiconductor reserves the right to make changes at any time without notice in order to improve design.
No Identification Needed	Full Production	This datasheet contains final specifications. Fairchild Semiconductor reserves the right to make changes at any time without notice in order to improve design.
Obsolete	Not In Production	This datasheet contains specifications on a product that has been discontinued by Fairchild semiconductor. The datasheet is printed for reference information only.