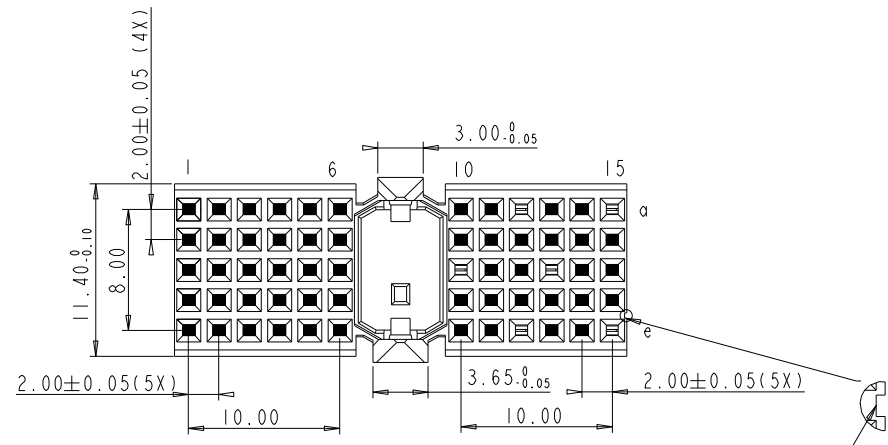


Tous droits strictement réservés. Reproduction ou communication à des tiers interdite sous quelque forme que ce soit sans autorisation écrite du propriétaire. Propriété de c FCI. Droits de reproduction FCI.

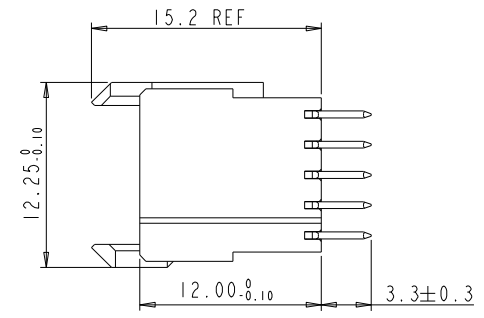
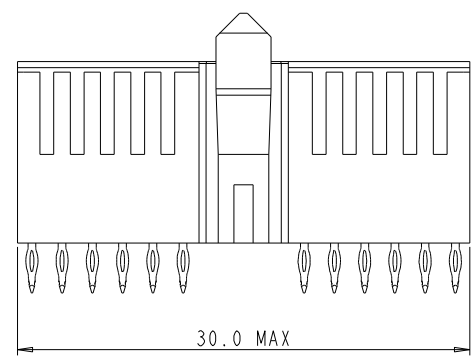


All rights strictly reserved. Reproduction or issue to third parties in any form whatever is not permitted without written authority from the proprietor. Property of FCI. Copyright FCI.



VISUAL POLARISATION AT COLUM 25 SHOULD COINCIDE WITH 25TH COLUM ON P.C.B

- EMPTY CAVITY
- CAVITY LOADED WITH CONTACT



PERFORMANCE CHARACTERISTICS

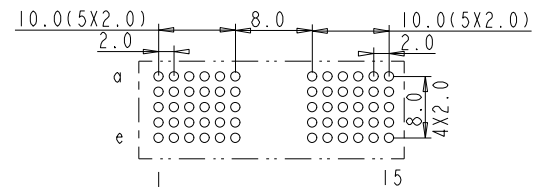
- CURRENT RATING 1.5 A AT 20°C (FULLY LOADED)
1 A AT 70°C (FULLY LOADED)
- RATED VOLTAGE 500 V AC (CONT /CONT)
- OPERATING TEMPERATURE 20MΩ MAX
- INSERTION FORCE 0.75 N MAX/CONT
- EXTRACTION FORCE 0.15 N MIN /CONT
- INSULATION RESISTANCE 10⁴ MΩ MIN

NOTES

1. "C"
 PERFORMANCE LEVEL INDICATOR
 (REF DWG NO. BS,C , 201844,003)
2. THIS PRODUCT IS CSA APPROVED.
THIS PRODUCT IS UL RECOGNIZED.
3. FOR RECOMMENDED PTH DIMENSIONS REFER DRAWING :BS.A .201572.001
4. THE PRODUCT (C) MEETS EUROPEAN UNION DIRECTIVES AND OTHER COUNTRY REGULATIONS AS DESCRIBED IN GS-22-008 EXCEPT FOR LEAD.

LAY OUT
P.C.B -HOLE

(FRONT SIDE)



rev	ecn no	dr	date
A	DG05-0262	Kason	05-08-05
-	-	-	-
-	-	-	-
-	-	-	-

Material		Spec ref	
Mat code		tolerance	projection
Heatreat		1DEC±0.2 1DEC 2DEC±0.1 2DEC ANGLE±1° HOEKEN	
Plating/Finish		size	Scale
Dr Kason Luo 05-08-05		A4	2.000
Eng Colins Lu 05-08-05	Product family	MILLIPACS	
Chr Victor Lin 05-08-05	Model Name	ECN DG05-0262	
Appr Joseph Hsia 05-08-05	Model Revision	REL Level	
	title	dwg no	Rev.
	MPACS 5R STR RCP CONN TYPE A 6+6 POS (CISCO)	BSC201419023	A
Pro/E file	catalog	HM2S27PECA20--C	CUSTOMER DRAWING