

### SMD INDUCTOR DR355-3 SERIES

#### Features

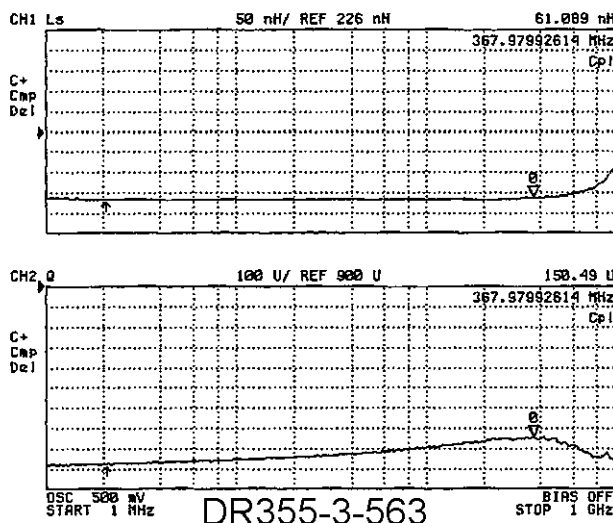
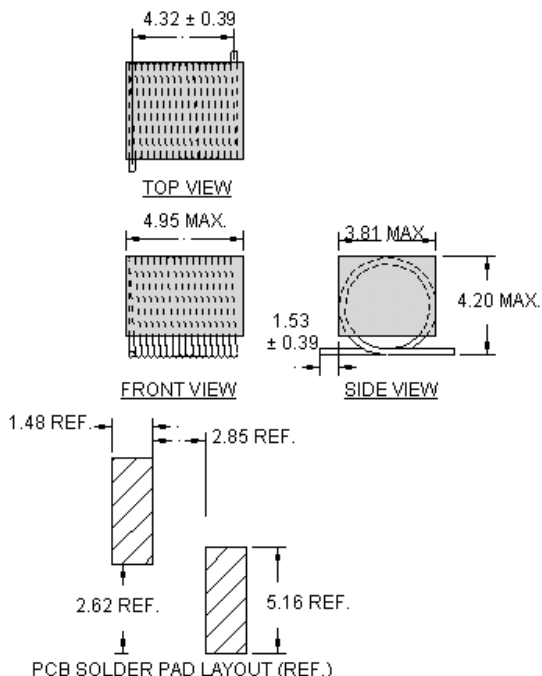
- Low Profile Surface Mount Design
- Suitable for Reflow soldering
- Inductance Range from 22nH to 120nH
- Operating Temp. -40°C to +125°C
- Tinned Leads with Leaded Solder is Available (note 3)



#### ELECTRICAL SPECIFICATIONS AT 25°C

| PART NO.    | INDUCTANCE (nH) @ 0A | Q Min. | Test Freq. (MHz) | SRF (MHz) Min. | DCR (mΩ) MAX. | MAX. RATED CURRENT (A) (TYP.) |
|-------------|----------------------|--------|------------------|----------------|---------------|-------------------------------|
| DR355-3-223 | 22±5%                | 100    | 150              | 3200           | 4.2           | 3.0                           |
| DR355-3-273 | 27±5%                | 100    | 150              | 2700           | 4.0           | 3.5                           |
| DR355-3-333 | 33±5%                | 100    | 150              | 2500           | 4.8           | 3.0                           |
| DR355-3-393 | 39±5%                | 100    | 150              | 2100           | 4.4           | 3.0                           |
| DR355-3-473 | 47±5%                | 100    | 150              | 2100           | 5.6           | 3.0                           |
| DR355-3-563 | 56±5%                | 100    | 150              | 1500           | 6.2           | 3.0                           |
| DR355-3-683 | 68±5%                | 100    | 150              | 1500           | 8.2           | 2.5                           |
| DR355-3-823 | 82±5%                | 100    | 150              | 1300           | 9.4           | 2.5                           |
| DR355-3-104 | 100±5%               | 100    | 150              | 1200           | 12.3          | 1.7                           |
| DR355-3-124 | 120±5%               | 100    | 150              | 1100           | 17.3          | 1.5                           |

#### MECHANICAL OUTLINES



Typical Response Curves for DR355s

#### NOTES:

1. All dimensions shown are in "mm".
2. Tape and reel quantity, 750 pcs/reel
3. For non-RoHS parts replace DR prefix with 42- (e.g. DR355-3 becomes 42-355-3)
4. Terminal finish is compliant to RoHS requirements. Solder in accordance with J-STD-020D